

**INPUT CHARACTERISTICS:****RHR-6250P**

- VOLTAGE: 90 ~ 264 VAC FULL RANGE
- FREQUENCY : 47 ~ 63 Hz
- INPUT CURRENT: 6.0 / 3.0 A FOR 115 / 230 VAC
- INRUSH CURRENT: 40A / 80A MAX. FOR 115 / 230 VAC PER POWER MODULE

**OUTPUT CHARACTERISTICS:**

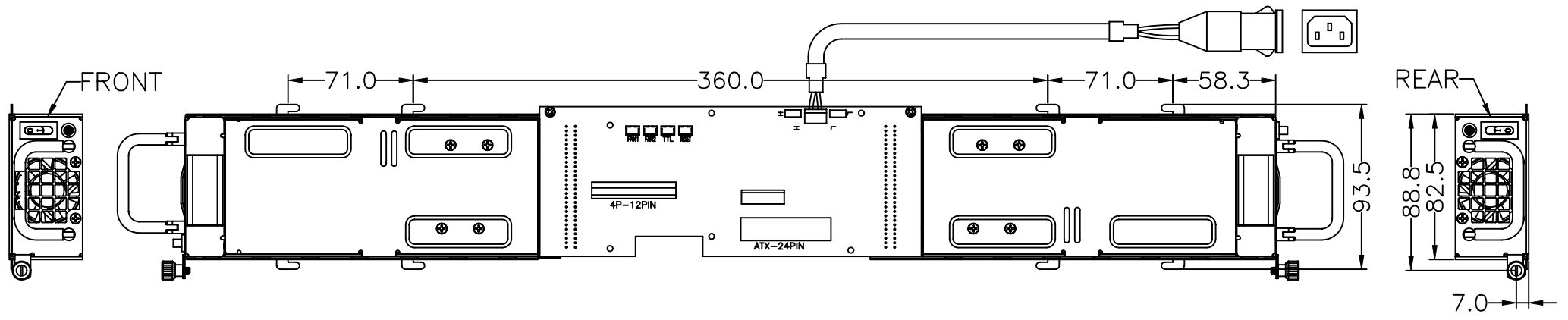
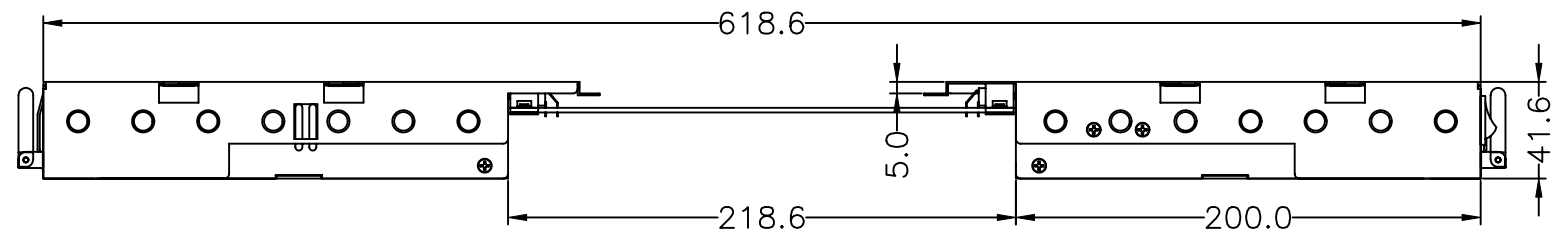
OUTPUT VOLTAGE	OUTPUT CURRENT			REGULATION		OUTPUT
	MIN.[A]	MAX.[A]	PEAK(A)	LOAD	LINE	RIPPLE & NOISE MAX. [P-P]
5V	3.0	25		± 5%	± 1%	50mV
12V	2	16		± 7%	± 1%	120mV
-5V	0.05	0.5		±10%	± 1%	150mV
-12V	0.05	0.5		±10%	± 1%	150mV
3.3V	1.0	15		± 5%	± 1%	50mV
+5VSB	0.1	2.0		± 5%	± 1%	60mV

REMARKS: TOTAL CURRENT OF +5V AND + 3.3V NOT EXCEED 28 A

TOTAL +5V AND 3.3V AND 12V POWER NOT EXCEED 232 W

- TEMPERATURE RANGE : OPERATING 0<sup>0</sup>C --- 40<sup>0</sup>C, STORAGE -20<sup>0</sup>C --- 70<sup>0</sup>C
- HOLD UP TIME: 16 ms MINIMUM AT FULL LOAD & 90 VAC INPUT VOLTAGE
- DIELECTRIC WITHSTAND: INPUT / OUTPUT 1500 VAC FOR 1 MINUTE  
INPUT TO FRAME GROUND 1500 VAC FOR 1 MINUTE
- EFFICIENCY: 63% TYPICAL, AT FULL LOAD
- POWER GOOD SIGNAL: ON DELAY 100 ms TO 500 ms, OFF DELAY 1 ms
- OVER LOAD PROTECTION: 110 ~ 160% MAX.  
OVER VOLTAGE PROTECTION:  
**+5V → 5.7V ~ 6.6V, 3.3V → 3.9 ~ 4.3V, 12V → 13.6 ~ 14.6V**
- SHORT CIRCUIT PROTECTION : SHUT DOWN
- EMI NOISE FILTER: FCC CLASS B, CISPR22 CLASS B
- SAFETY: MEET UL 1950, CSA 22.2 NO/ 950, TÜV IEC 950
- REMOTE ON / OFF CONTROL
- FAULTY ALARM METHODS : LED, BUZZER, TTL SIGNAL
- HOT-SWAPPABLE / HOT-PLUGGABLE 1 + 1 REDUNDANCY FUNCTION
- BALANCE LOAD SHARING DESIGN
- REMOTE SENSING DESIGN
- ISOLATION: BUILT-IN IN THE POWER MODULE
- MEET IEC-1000-3-2 CLASS D ( ACTIVE PFC )
- DIMENSION: 41.6(H) x 93.5 (W) x 618.6 (D) mm
- COOLING : TWO 40 mm DC FANS

修訂 REVISIONS		日期 DATE
版次 REV.	記號 DESCRIPTION	



容許公差:  
TOLERANCES:  
.XXX ±.025  
.XX ±.100  
.X ±.250

投影法:  
PROJECTION:  
第三角法

材料規格:  
MATERIAL:  
核准者:  
APPROVE BY:

日期:  
DATE:  
日期:  
DATE:  
日期:  
DATE:  
日期:  
DATE:

品名:  
MODEL NO:  
料號:  
PART NO:

圖號:  
DRAW NO:  
單位:  
UNITS:

新巨企業股份有限公司  
ZIPPY TECHNOLOGY CORP.  
POWER DIVISION

品名: **RHR 外觀尺寸圖**

圖號: **RHR0MA00** 槽號: **RHR0MA00**

規格: **A1** 編號: **OF**  
REV. NO: **A1** SPEC.: **A1** SHEET:

日期: **MAY-17-2001**