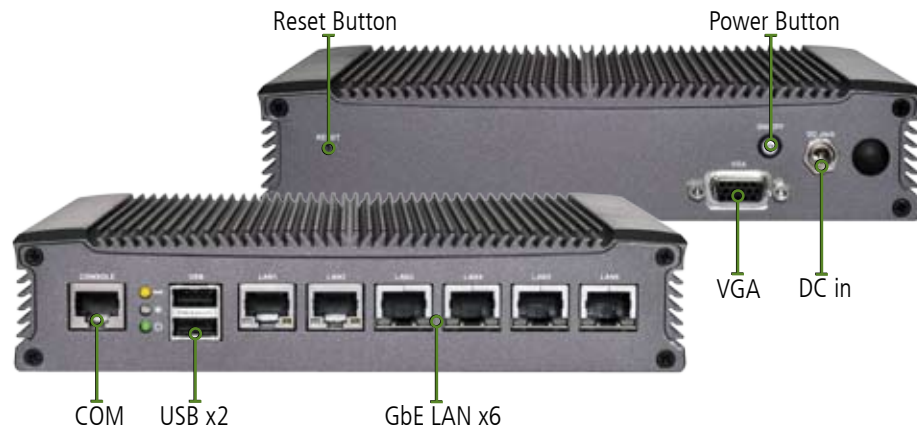


LEC-2026

Fanless Industrial PC with Dual Core Intel Atom N270



Features

Intel® Atom™ N270

Single core Intel Atom N270 features 1.6GHz clock speed and a 512KB cache. It utilizes 2.5W of power.

Easily opened chassis

The bottom cover can be opened by unscrewing, allowing fast installation or replacement of the internal CF, HDD, memory and Mini-PCIe devices.

Fanless

This IPC's lifespan has been extended by removing the most easily damaged component, the fan.

Intel network controllers

The appliance uses top-of-the-line Intel NICs giving the customer the benefits of quality design and thorough engineering.

Mini-PCI expansion slot

This product features a Mini-PCI slot to allow customers to customize this appliance to different applications.

Dust proof design

Solid chassis design with a fanless interior allows for this product to be completely dustproof when installed correctly, insuring longevity of the product.

Integrated SIM card reader

Integrated in a mini-PCIe slot, the SIM card readers allow for users to enable 3G use for their IPC.

Screw-locked power plug

This power plug is made to screw directly into the appliance chassis, allowing secure power connection in even the harshest of settings.

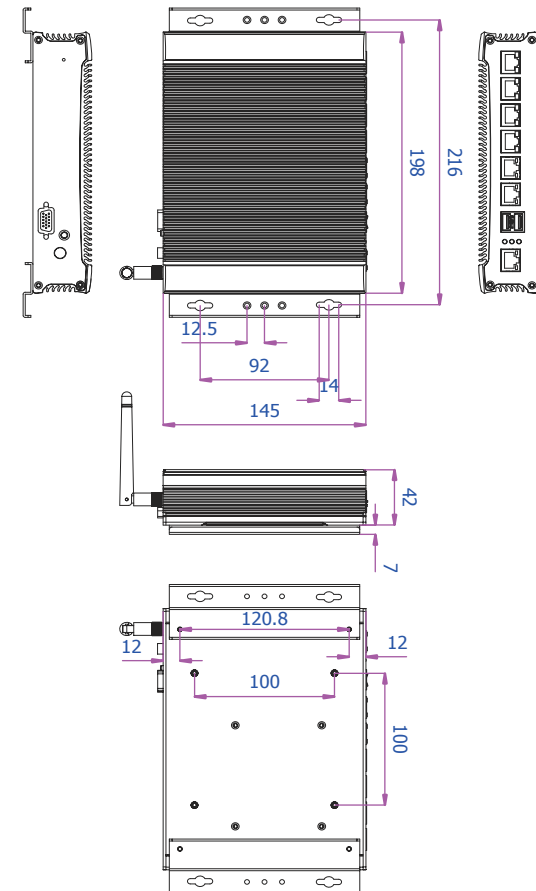
VGA display port

This platform comes with a VGA display port to allow easy integration with any signage set-up.

LED indicators

LED indicators makes it easy to check working status.

Dimensions 198 x 42 x 145mm (7.80" x 1.65" x 5.71")



Specifications

| | | | |
|------------------------------------|---|--|--|
| Dimensions (WxHxD) | | 198x42x145mm (7.80" x 1.65" x 5.71") | |
| Processor | | Intel ATOM N270 1.6GHz | |
| Chipset | | Intel 945GSE + ICH7M | |
| System Memory | Technology | DDR2 SODIMM x1 | |
| | Max. Capacity | Up to 2GB | |
| Storage | IDE | CF socket Type I/II x1 | |
| | SATA | 2.5" SSD/HDD drive bay x1 | |
| Ethernet Controller | | Intel 82574L x4 Intel 82541PI x5 | |
| Graphic Controller | | Intel Integrated Graphics Media Accelerator 950 | |
| Audio Controller | | No | |
| IO | LAN | GbE RJ45 x6 | |
| | Display | DB15 x1 for VGA (2048 x 1536) | |
| | Video Grabber | No | |
| | Audio | No | |
| | Serial I/O | RJ-45 x1 for RS-232 as console port Internal Pin-header for RS-232 x1 | |
| | GPS | No | |
| | Digital I/O | No | |
| | USB 2.0 | Type A x2; Internal x2 | |
| | Power Input | DC Jack with Lock | |
| | Expansion | Mini-PCI x1 | |
| | Others | External: Power-On Button, SMA Antenna Hole x1, Reset Internal: PS/2 Keyboard & Mouse, +5Vdc output, LCM module connector | |
| | Power Input | +12Vdc +/-5% with ATX Mode | |
| | AC Adapter | 60W +12V @ 5A | |
| Hardware Monitor | Winbond W82327THG integrated Watchdog Time 1~255 level | | |
| OS Support | Linux, XPE/WES2009, XP Pro FES, WS7E, WS7P, Win 7 Pro FES | | |
| Certifications | CE, FCC Class A | | |
| Compliance | No | | |
| Operating Temperature Range | With Industrial Components | -5~45°C / 23~113°F | |
| | With Commercial Components | -5~45°C / 23~113°F | |

Ordering Information

| | |
|----------|--|
| LEC-2026 | Intel Dual Core Atom N270 1.6GHz CPU, w/ 6x RJ45 Intel GbE Ports, One Console Port, VGA Display, +12V DC Input, suitable for machine vision solutions. |
|----------|--|

Standard Accessories

| | |
|---------------|--|
| 080W1N2201001 | SATA SSD / HDD cable w/ power |
| 0P0W060120001 | AC Adapter 60W 12V/2.5A, DC Jack w/ Lock |

Optional Power Cords

| | |
|---------------|------------------------|
| 080W240318306 | US Power Cord |
| 080W240318305 | Schuko (EU) Power Cord |
| 080W240318301 | UK Power Cord |
| 080W240318307 | China Power Cord |
| 080W240318309 | Japan Power Cord |

Optional Mounting Brackets

| | |
|----------------|---------------|
| WALL Mount | SE9ESA900R100 |
| VESA Mount | PE9ESA8300100 |
| RACK Mount | PE9ESA8310100 |
| DIN Rail Mount | 090W405000001 |
| DIN Rail Mount | S090AL7460010 |

Optional Accessories

| | |
|---------------|---|
| 0TAWQ802XKZ02 | Wi-Fi Module: 802.11 b/g/n Mini-PCIe card |
|---------------|---|