

DATA SHEET

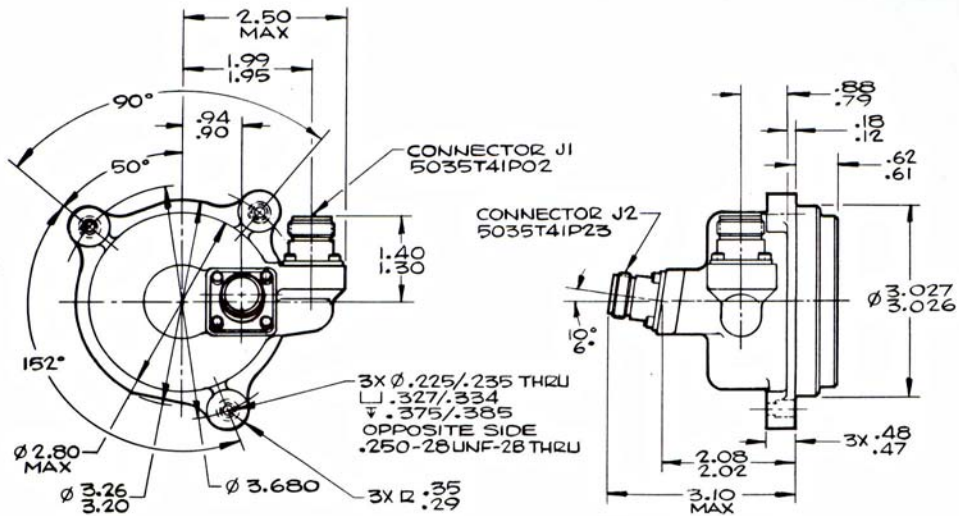
SPECIFICATIONS	MODEL #5289 AC GENERATOR
-----------------------	-------------------------------------

POWER:	55 WATTS/CHANNEL AT 13,644 RPM
SPEED:	22,000 RPM (100%)
ELECTRICAL WINDINGS:	4 SINGLE PHASE (TOTAL) 2 FOR ELECTRICAL CONTROL UNIT 1 IGNITION 1 SPEED
WEIGHT:	1.5 LBS. ROTOR INCLUDED
COOLING:	AIR/OIL BATH
ALTITUDE:	0 TO 15,000 FT.
COMPLIANCE:	MIL-STD-461A MIL-STD-462 MIL-STD-810B

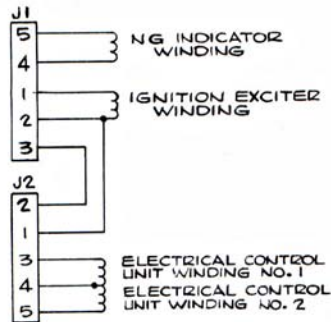

DESCRIPTION

Model 5289 is a custom designed permanent magnet generator that is installed on an engine accessory gearbox providing power for a FADEC and ignition exciter. The rotor is a segmented permanent magnet construction utilizing high-energy magnets to form the multipole generator. The stator section windings are positioned in the field poles of the stator to provide optimum output. The four sets of windings are independent and prohibit circuit interaction. The generator can sustain continuous short circuit operation.

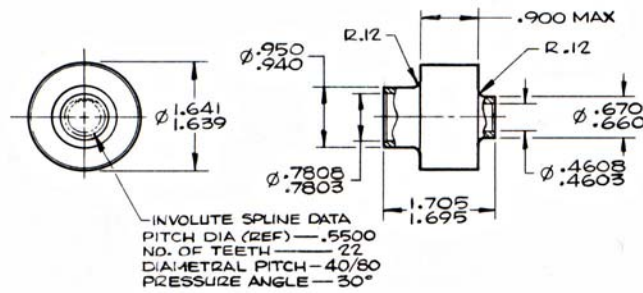
OUTLINE DETAILS



STATOR ASSEMBLY



ELECTRICAL SCHEMATIC



ROTOR ASSEMBLY