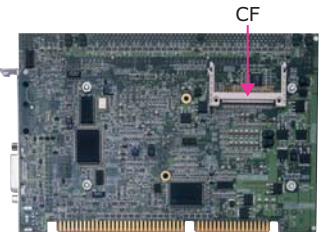
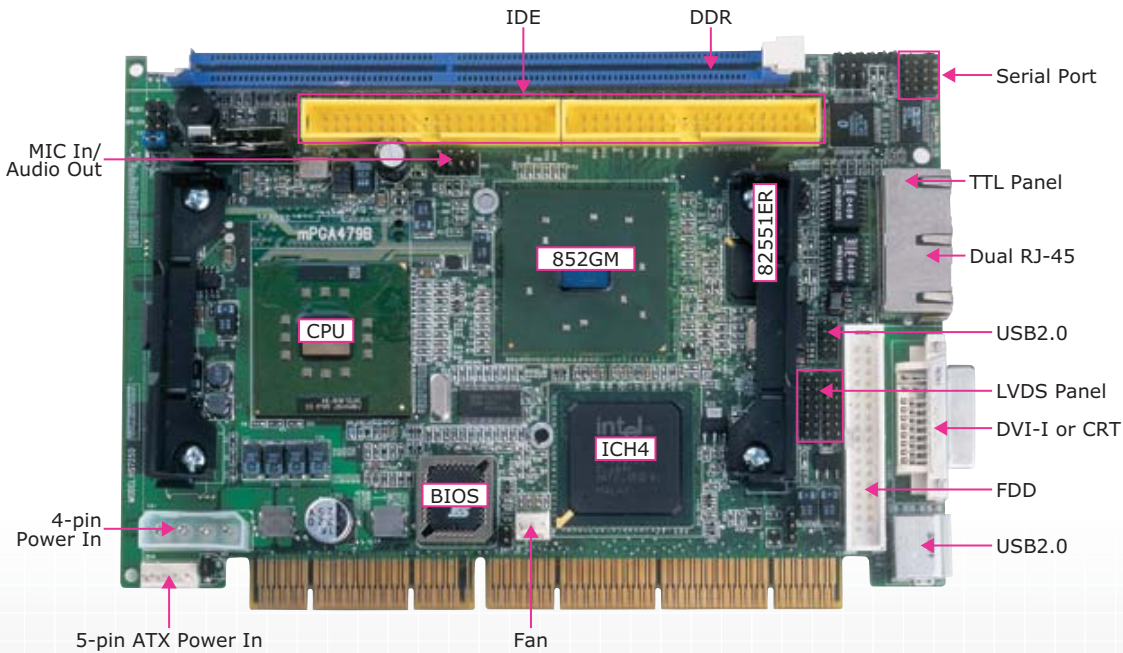


# HS-7250M

ULV Intel® Celeron® M processor PCI-ISA Bus SBC with CF, DVI-I/CRT/LVDS, Dual LAN, Audio, USB2.0

Single Board Computer

PCI-ISA Bus SBC



- CompactFlash
- Audio
- USB2.0
- DVI-I/CRT/LVDS
- ATA/33/66/100
- WDT
- Dual LAN
- RS-232/422/485
- H/W Monitor

## FEATURES

- ▶ ULV Intel® Celeron® M processor 600MHz/512K
- ▶ One DDR socket with a max. capacity of 1GB
- ▶ Intel® 852GM GMCH/ICH4 chipset
- ▶ Winbond W83627HF super I/O chipset
- ▶ Intel® 852GM or CHRONTEL 7301 DVI graphics controller
- ▶ 18-bit/36-bit LVDS Panel display interface
- ▶ Intel® 82562ET & 82551ER dual Ethernet controller
- ▶ AC97 3D audio controller
- ▶ Fast PCI ATA/33/66/100 IDE controller
- ▶ CF, 2 COM, 3 USB2.0
- ▶ Hardware Monitor function

## ORDERING GUIDE

- ▶ **HS-7250M/CRT**  
ULV Intel® Celeron® M processor SBC w/CF, CRT/LVDS, Dual LAN, Audio, 2C/485, USB2.0

## SPECIFICATIONS

- \***CPU:** ULV Intel® Celeron® M processor 600MHz/512K
- \***Bus Interface:** PCI-ISA Bus (no 3.3V output through goldfinger)
- \***Memory:** One DDR socket supports up to 1GB
- \***Chipset:** Intel® 852GM GMCH/ICH4
- \***I/O Chipset:** Winbond W83627HF
- \***CompactFlash:** One, Type I/II IDE interface adapter
- \***VGA:** Intel® 852GM for CRT display or CHRONTEL 7301 for DVI-I display, supports up to 1600 x 1200 (DVI and CRT connector is optional)
- \***LVDS Panel:** Supports 18-bit single/36-bit dual channel LVDS interface
- \***Ethernet:** Intel® 82562ET and 82551ER dual 10/100 Based LAN
- \***Audio:** AC97 3D audio controller
- \***IDE:** Two 2.54-pitch 40-pin IDE connectors
- \***FDD:** Supports up to two floppy disk drives
- \***Serial Port:** 16C550 UART-compatible RS-232/422/485 x 1 and RS-232 x 1 serial ports with 16-byte FIFO
- \***USB:** 3 USB2.0 ports, internal x 2 and external x 1
- \***Keyboard/Mouse:** 6-pin header or optional PS/2 6-pin Mini DIN
- \***BIOS:** Award PnP Flash BIOS
- \***Watchdog Timer:** Software programmable time-out intervals from 1~255 sec.
- \***CMOS:** Battery backup
- \***Temperature:** 0~+60°C (operating)
- \***Hardware Monitor:** Winbond W83627HF
- \***Dimensions:** 18.6(L) x 12.2(W) cm

