

d¹

design.

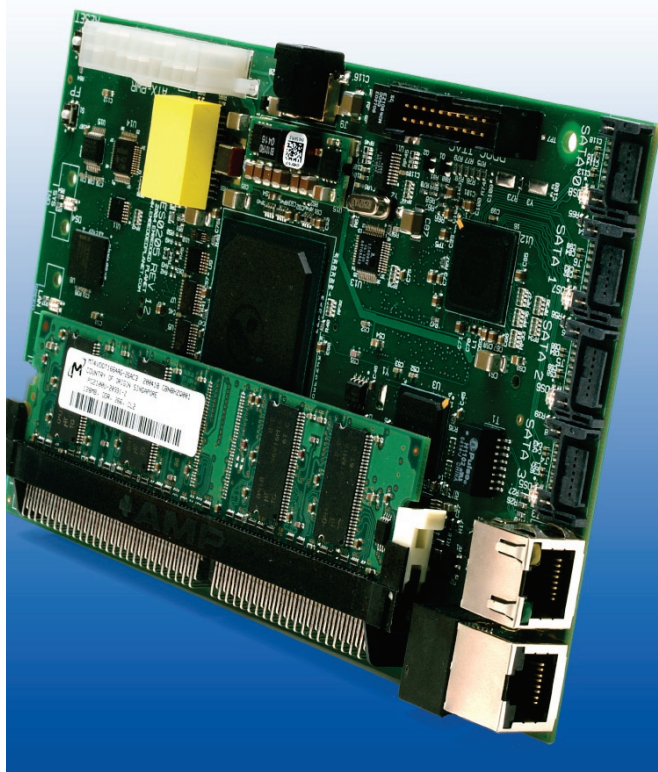
d²

develop.

d³

deploy.

Embedded Planet EP80219C



Features:

- Intel 80219 General Purpose PCI Processor
- XScale microarchitecture
- DDR SDRAM 128MB to 1GB DIMM
- FLASH 8MB
- CompactFLASH slot
- Four serial ATA ports
- 10/100BaseT Ethernet
- RS-232 serial port
- miniPCI slot, 32-bit 33/66MHz
- Debug JTAG
- Serial EEPROM I2C
- Serial temperature I2C
- PIC microcontroller
- 5 VDC single power supply source
- Mechanical 7.4 x 4.375 inches
- Operating Range 0° C to 70° C, Extended Temperature Range -40° C to 85° C available

design.

The next generation of connected devices.

develop.

Your products based on our platform.

deploy.

Your solution faster.

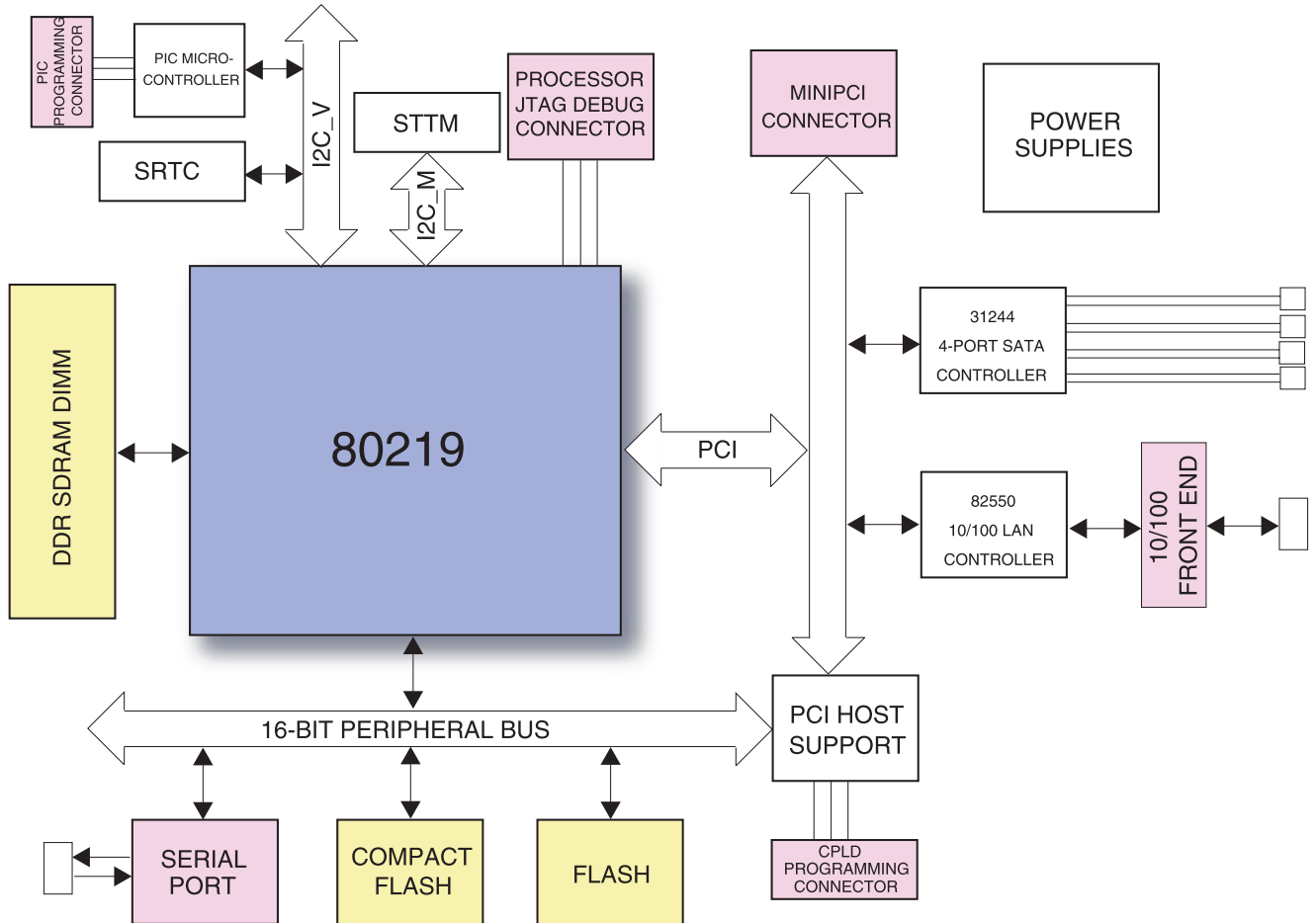
Flexible Single Board Computer

The EP80219C single board computers take advantage of the Intel 80219 processors. By integrating all of the features of the 80219 XScale into a production ready embedded development system, the EP80219C reduces Time-To-Market and increases product reliability for Communications, Military/Aerospace, Medical, and Industrial applications. The EP80219C single board computers include miniPCI and CompactFLASH slots for additional I/O expansion.

Product Options

Single Board Computer includes a cable kit, power supply, and CD with complete documentation. Design Kits are available with schematic and firmware source. Embedded Planet provides customization and integration services. Production board population options can be configured to match customer requirements.

Block Diagram



Software and Development Tools

Linux BSP and VxWorks BSPs are available from Embedded Planet. The BSP development CDs come complete with documentation, source code, pre-compiled images, build files and tools.

INTEGRITY BSP is available from Green Hills Software. Other RTOS options are also available.

RedBoot firmware is provided with each module and includes a Bootloader, Flash Burner, and Diagnostics. Download and run applications via Ethernet or serial, test board hardware, and burn images to Flash.

Complete line of low level and application level TCP/IP stack and protocols code is available.

This material is the copyright of Embedded Planet 1997-2004. Embedded Planet is a registered Trademark. Other company and product names may be trademarks of their respective owners.

Contact Embedded Planet sales:
www.embeddedplanet.com or
 email info@embeddedplanet.com
 phone (216) 245-4180