



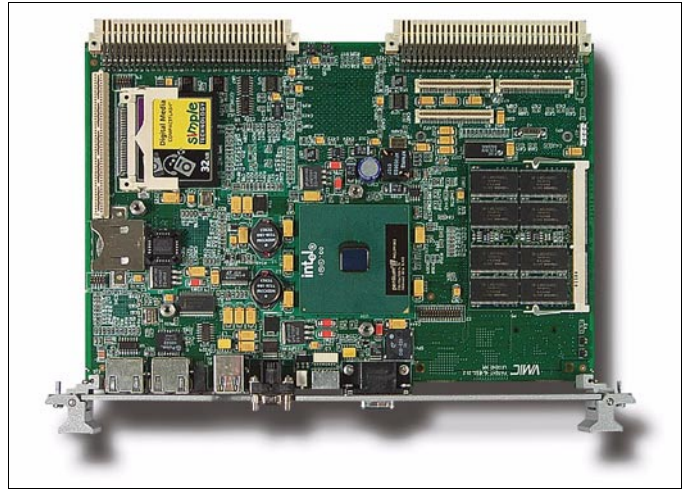
# VMIVME-7648

## Intel® Pentium® III Processor-Based VMEbus Single Board Computer

- Pentium® III FC-PGA/PGA2 socket processor-based single board computer (SBC) with 133 MHz system bus
- 1.26 GHz Pentium III processor with 256 Kbyte advanced transfer cache or 933 MHz Pentium III processor with 256 Kbyte advanced transfer cache
- 512 Mbyte PC-133 SDRAM using a single SODIMM
- Internal AGP SVGA controller with 4 Mbyte display cach
- 133 MHz system bus via Intel® 815E chipset
- Dual Ethernet controllers supporting 10BaseT and 100BaseTX interfaces
- Onboard Ultra DMA/100 hard drive and floppy drive controllers (uses VMEbus P2 for connection to IDE/floppy)
- Two high performance 16550-compatible serial ports
- PS/2-style keyboard and mouse ports on front panel
- Real time clock and miniature speaker included
- Dual front panel universal serial bus (USB) connections
- Two 16-bit and two 32-bit programmable timers
- 32 Kbyte of nonvolatile SRAM
- Software-selectable watchdog timer with reset
- Remote Ethernet booting
- PMC expansion site (IEEE-P1386 common mezzanine card standard, 5 V)
- VME64 modes supported:  
A32/A24/D32/D16/D08(E0)/MBLT64/BLT32
- VMEbus interrupt handler, interrupter and system controller
- Includes real time endian conversion hardware for little-endian and big-endian data interfacing (patent no. 6,032,212)
- Enhanced bus error handling
- Passive heat sink
- Operating system support for Windows® XP, Windows 2000, VxWorks®, Solaris®, QNX®, Linux® and LynxOS®

### Functional Characteristics

**Microprocessor:** The VMIVME-7648 brings the Intel Pentium III processor to VMEbus, offering a processor speed of up to 1.26 GHz. The Pentium III processor has 32-bit addressing and a 64-bit data bus. Its superscalar architecture allows three instructions to be executed per clock cycle. A dynamic branch prediction unit, separate instruction and data caches, and MMX™ technology also increase the processor's performance. The Pentium III processor also provides 256 Kbyte of advanced transfer cache (on-die, full speed level 2 cache) using dual independent bus architecture for high bandwidth and performance. This



L2 cache operates at the same clock frequency as the processor, thus improving performance.

**DRAM Memory:** The VMIVME-7648 accepts one 144-pin SDRAM SODIMM for a maximum memory capacity of 512 Mbyte. The onboard DRAM is dual ported to the VMEbus.

**BIOS:** System and video BIOS are provided in reprogrammable flash memory (Rev. 1.02 is utilized from our VMIVME-7750 SBC).

**Super VGA Controller:** High-resolution graphics and multimedia-quality video are supported on the VMIVME-7648 using the 815E AGP graphics adapter. The adapter is complemented by 4 Mbyte external synchronous DRAM cache with a high-bandwidth 64-bit data interface. Screen resolutions up to 1,600 x 1,200 x 256 colors (single view mode) are supported by the graphics adapter.

Ordering Options						
September 8, 2004 814-017648-000 A	A	B	C	D	E	F
<b>VMIVME-7648</b>	–		0	0	0	0
<b>A = Processor</b>						
5 = 933 MHz Pentium III Processor						
7 = 1.26 GHz Pentium III Processor						
<b>B = SDRAM Memory</b>						
4 = 128 Mbyte						
5 = 256 Mbyte						
6 = 512 Mbyte						
<b>C through F = 0 (Reserved for future use.)</b>						
For Ordering Information, Call:						
1-800-322-3616 or 1-256-880-0444 • FAX (256) 882-0859						
Email: <a href="mailto:info.embeddedsystems@gefanc.com">info.embeddedsystems@gefanc.com</a>						
Web Address: <a href="http://www.gefanc.com/embedded">www.gefanc.com/embedded</a>						
Copyright © 2004 by VMIC						
Specifications subject to change without notice.						

**Table 1. Partial List of Display Modes Supported**

Resolution	Bits Per Pixel (Frequency in Hz)		
	8-bit Indexed	16-bit	24-bit
320 x 200	70	70	70
320 x 240	70	70	70
352 x 480	70	70	70
352 x 576	70	70	70
400 x 300	70	70	70
512 x 384	70	70	70
640 x 400	70	70	70
640 x 480	60, 70, 72, 75, 85	60, 70, 72, 75, 85	60, 70, 72, 75, 85
720 x 480	75, 85	75, 85	75, 85
720 x 576	60, 75, 85	60, 75, 85	60, 75, 85
800 x 600	60, 70, 72, 75, 85	60, 70, 72, 75, 85	60, 70, 72, 75, 85
1,024 x 768	60, 70, 72, 75, 85	60, 70, 72, 75, 85	60, 70, 72, 75, 85
1,152 x 864	60, 70, 72, 75, 85	60, 70, 72, 75, 85	60, 70, 72, 75, 85
1,280 x 720	60, 75, 85	60, 75, 85	60, 75, 85
1,280 x 960	60, 75, 85	60, 75, 85	60, 75, 85
1,280 x 1,024	60, 70, 72, 75, 85	60, 70, 72, 75, 85	60, 70, 75, 85
1,600 x 900	60, 75, 85	60, 75, 85	
1,600 x 1,200	60, 70, 72, 75		

**Ethernet Controller:** The VMIVME-7648 supports Ethernet LANs with two Intel Ethernet controllers (one 82559 and the other internal to Intel's chipset ICH2). 10BaseT and 100BaseTX options are supported via two RJ45 connectors. Remote LAN booting is supported.

**Remote Ethernet Booting:** The VMIVME-7648 utilizes Lanworks Technologies, Inc.'s BootWare. BootWare provides the ability to remotely boot the VMIVME-7648 using NetWare, TCP/IP or RPL network protocols.

BootWare Features:

- NetWare, TCP/IP, RPL network protocol support
- Unparalleled boot sector virus protection
- Detailed boot configuration screens
- Comprehensive diagnostics
- Optional disabling of local boots
- Dual-boot option lets users select network or local booting

**Serial Ports:** Two 16550-compatible serial ports are featured on the VMIVME-7648 front panel. The serial channel has a 16-byte FIFO to support baud rates up to 1.5 Mbaud. Requires two micro-DB-9 to

standard DB-9 adapters, GE Fanuc Embedded Systems Part Number 360-010050-001.

**Keyboard and Mouse Ports:** The VMIVME-7648 has a combined PS/2 keyboard and mouse connector. A Y-adaptor cable is included.

**Timers:** The VMIVME-7648 provides the user with two 16-bit timers and two 32-bit timers (in addition to system timers). These timers are mapped in I/O space, and are completely software programmable.

**Watchdog Timer:** The VMIVME-7648 provides a software-programmable watchdog timer. The watchdog timer is enabled under software control. Once the watchdog timer is enabled, onboard software must access the timer within the specified timer period or a timeout will occur. A user jumper allows the timeout to cause a reset. Independent of the jumper, software can enable the watchdog timeout to cause a nonmaskable interrupt (NMI) or a VMEbus SYSFAIL.

**Nonvolatile SRAM:** The VMIVME-7648 provides 32 Kbyte of nonvolatile SRAM. The contents of the SRAM are preserved when +5 V power is interrupted or removed from the unit.

**PMC Expansion Site:** The VMIVME-7648 supports IEEE P1386 common mezzanine card specification with a 5 V PCI mezzanine card (PMC) expansion site. The PMC site provides for standard I/O out the VMEbus front panel. An optional I/O connection to the VMEbus P2 connection can be provided.

Contact GE Fanuc for more information concerning PMC modules and compatibility.

**Universal Serial Bus (USB):** The VMIVME-7648 provides front panel dual connection hub host controllers for the USB. Supported USB features include: isochronous data transfers, asynchronous messaging, self-identification and configuration of peripherals, and dynamic (hot) attachment.

**VMEbus Interface:** The VMIVME-7648 VMEbus interface is based on the Universe IIB high performance PCI-to-VME interface from Newbridge/Tundra.

**System Controller:** The onboard VMEbus system controller capabilities allow the board to operate as a slot 1 controller, or it may be disabled when another board is acting as the system controller. The system controller may be programmed to provide the following modes of arbitration:

Round Robin (RRS)  
 Single Level (SGL)  
 Priority (PRI)

The system controller provides a SYSCLK driver, IACK\* daisy-chain driver, and a VMEbus access timeout timer. The system controller also provides an arbitration timeout if BBSY\* is not seen within a specified period after a BGOUT\* signal is issued. This period is programmable for 16 or 256 μs.

**VMEbus Requester:** The microprocessor can request and gain control of the bus using any of the VMEbus request lines (BR3\* to BR0\*) under software control. The requester can be programmed to operate in any of the following modes:

Release-On-Request (ROR)  
 Release-When-Done (RWD)  
 VMEbus Capture and Hold (VCAP)

**Mailboxes:** The VMEbus interface provides four 32-bit mailboxes, which are accessible from both the microprocessor and the VMEbus, providing interprocessor communication. The mailboxes have the ability to interrupt the microprocessor when accessed by VMEbus.

**Interrupt Handler:** The interrupt handler monitors, and can be programmed to respond to any or all VMEbus IRQ\* lines. All normal-process VMEbus-related interrupts can be mapped to PCI INTA# or SERR# interrupts. These include:

Mailbox interrupts  
 VMEbus interrupts  
 VMEbus interrupter IACK cycle (acknowledgment of VMIVME-7648 VMEbus-issued interrupts)

All error processing VMEbus-related interrupts can be mapped to PCI INTA# or SERR#. Note: PCI SERR# initiates an SBC NMI. These include:

ACFAIL\* interrupt  
 BERR\* interrupt  
 SYSFAIL\* interrupt

The interrupt handler has a corresponding STATUS/ID register for each IRQ\* interrupt. Once the handler receives an IRQ\*, it requests the VMEbus and, once granted, it performs an IACK cycle for that level. Once the IACK cycle is complete and the STATUS/ID is stored in the corresponding ID register, an appropriate interrupt status bit is set in an

internal status register and a PCI interrupt is generated. The PCI interrupt can be mapped to PCI INTA# or SERR#.

**Interrupter:** Interrupts can be issued under software control on any or all of the seven VMEbus interrupt lines (IRQ7\* to IRQ1\*). A common ID register is associated with all interrupt lines. During the interrupt acknowledge cycle, the interrupter issues the ID to the interrupt handler. The interrupter can be programmed to generate a PCI INTA# or SERR# interrupt when a VMEbus interrupt handler acknowledges a software-generated VMEbus interrupt.

**Byte Swapping:** The Intel 80x86 family of processors use little-endian format. To accommodate other VMEbus modules that transfer data in big-endian format such as the 680x0 processor family, the VMIVME-7648 incorporates byte-swapping hardware. This provides independent byte swapping for both the master and slave interfaces. Both master and slave interface byte swapping are under software control.

The VMIVME-7648 supports high throughput DMA transfers of bytes, words and longwords in both Master and Slave configurations.

If endian conversion is not needed, we offer a special “bypass” mode that can be used to further enhance throughput. (Not available for byte transfers.)

**Master Interface:** MA32:MBLT32:MBLT64  
 (A32:A24:A16:D32:D16:D8 (EO):BLT32)

The VMEbus master interface provides nine separate memory windows into VMEbus resources. Each window has separate configuration registers for mapping PCI transfers to the VMEbus (that is, PCI base address, window size, VMEbus base address, VMEbus access type, VMEbus address/data size, etc.). The maximum/minimum window sizes for the nine windows are as follows:

Window	Minimum Size	Maximum Size
0, 4	4 Kbyte	4 Gbyte
1 to 3, 5 to 7	64 Kbyte	4 Gbyte
Special Cycle	64 Mbyte	64 Mbyte

**Slave Interface:** Memory Access

SAD032:SD32:SBLT32:SBLT64

(A32:A24:A16:D32:D16:D8 (EO): BLT32)

The VMEbus slave interface provides eight separate memory windows into PCI resources. Each window has separate configuration registers for mapping VMEbus transfers to the PCI bus (that is, VMEbus base address, window size, PCI base address, VMEbus access type, VMEbus address/data size, etc.). The maximum/minimum window sizes for the eight windows are as follows:

Window	Minimum Size	Maximum Size
0, 4	4 Kbyte	4 Gbyte
1 to 3, 5 to 7	64 Kbyte	4 Gbyte

In addition, each window can be programmed to operate in coupled or decoupled mode. In decoupled mode, the window utilizes a write-posting FIFO and/or a read prefetching FIFO for increased system performance. In coupled mode, the FIFOs are bypassed and VMEbus transactions are directly coupled to the PCI bus (that is, transfers on VMEbus are not completed until they are completed on the PCI bus).

**Enhanced Bus Error Handling:** Enhancements over the Universe chip’s bus error handling features are provided. A latch and register are provided to allow the SBC to read the VMEbus address that caused the bus error in all modes. The Universe chip’s support is limited to decoupled mode.

Support for bus cycle timeout and assertion of bus error is provided. The board may be configured to assert bus error upon timeout regardless of its status as system controller. The Universe chip asserts bus error only if it is system controller. In addition, this board may be configured to assert an interrupt upon bus cycle timeout.

*Operating System and Software Support*

The VMIVME-7648 provides embedded features beyond PC/AT functionality. These features are supported by GE Fanuc software products aimed at developers who are incorporating GE Fanuc SBCs, I/O boards, and workstations into systems. Windows XP/Windows 2000 and VxWorks are the most common operating systems supported by GE Fanuc software products.

**Windows XP/Windows 2000:** The IOWorks® software family is a set of software components that can work together or separately to provide a total development environment for any application in a Windows XP/Windows 2000 OS.

**VMISFT-9420 VMEbus Access™ for Windows XP/Windows 2000:**

The VMEbus Access product is specifically designed for accessing the advanced VMEbus Access architecture of the VMIVME-7648. Running on Windows XP/Windows 2000, VMEbus Access is both sophisticated and easy to use.

The function library, VMEbus toolset, and open architecture VMEbus Access offers make it one of the most powerful products on the market today. It provides compatibility with existing GE Fanuc VMEbus PC platforms and compatibility with future VMEbus PC platforms GE Fanuc creates.

The VMEbus Access development package gives you everything you need to develop applications for your VME operations. This package includes the VMEmanager™ function library and four utilities that enable you to easily configure a VMEbus, dynamically monitor VMEbus activities, manage VMEbus data, and use DDE-client applications.

VMEbus Access provides powerful tools for developing, debugging, and monitoring VMEbus applications and increasing VMEbus performance. The flexible design of VMEbus Access enables you to incorporate it as a stand-alone solution, or use it to open your VMEbus operations to the IOWorks product suite.

VMEbus Access manipulates the hardware behind the scenes. With VMEbus Access, you can develop applications in or use existing applications developed in most programming environments. For example, VMEbus Access enables your VMEbus to recognize applications developed in these popular programming environments:

- IOWorks Manager™
- LabVIEW
- Citect
- Wonderware InTouch
- Visual IOWorks®
- Visual Basic®
- Visual C++®

**VxWorks OS Support — VMISFT-7418 Board Support Package:**

The VMISFT-7418 is a Wind River Systems, Inc. certified board support package (BSP) for GE Fanuc’s series of VMEbus Pentium processor-based computers, which is required to run the VxWorks OS. With the SBC, VxWorks, the BSP, and other VMEbus equipment from GE Fanuc, implementations can be created for a wide variety of applications, including real time factory automation, simulation, instrumentation and control, and process control and monitoring.

The BSP is linked with VxWorks OS, thus allowing software applications created with Wind River Systems, Inc.’s development system to load and run on the particular GE Fanuc SBC hardware being used. Serial ports, parallel ports, keyboard, text mode video, and Ethernet transceivers are all supported, as well as floppy and IDE hard disk drives that can be connected to the computer boards. The BSP provides Flash boot, NVRAM and timer support.

The BSP allows VxWorks applications to have access to the VMEbus. When hardware includes single cycle and block transfers using DMA devices, they are supported by the BSP, as well as interprocessor communications with mailbox registers. VMEbus interrupt handling and error handling are supported. Since the VMEbus environment often contains a mixture of devices from various manufacturers, the byte-swapping feature is provided to allow big-endian and little-endian devices to share data correctly.

**QNX OS Support — VMISFT-7417 Board Support Package:** The VMISFT-7417 BSP provides QNX support and includes a VMEbus manager, user API, and configuration files needed to run the QNX BSP on GE Fanuc’s VMIVME-7xxx SBC products. This BSP provides customizable VMEbus access. Using the QNX OS on the VMIVME-7xxx SBCs provides a computing platform suitable for real time applications. QNX provides the applications programmer with a real time extensible POSIX OS.

GE Fanuc’s VMISFT-7417 is designed to tailor QNX’s x86 OS to the VMIVME-7xxx platform. This combination provides a self-hosted development environment which runs entirely on the VMIVME-7xxx SBC boards without requiring any external host systems.

**Solaris OS Support — VMISFT-7416 Board Support Package:** The VMISFT-7416 BSP includes everything necessary to allow installation of the Solaris Intel edition OS (available separately from Sun Microsystems, Inc.) onto VMIVME-7648 SBC. This BSP includes a nexus

driver for VMEbus access. It allows military and telecommunications and other applications to take advantage of Sun Microsystems, Inc.’s Solaris OS on a VMEbus-based Intel SBC. This BSP and the Solaris OS provides POSIX-compliant real time characteristics.

**LynxOS x86 Support — VMISFT-7419 Board Support Package:**

The VMISFT-7419 BSP includes all of the device drivers and configuration tables needed to install the LynxOS x86 development system (available separately from Lynx Real-Time Systems, Inc.) onto GE Fanuc’s VMIVME-7648.

Using the LynxOS on the GE Fanuc SBCs provides a computing platform suitable for hard real time applications. LynxOS provides the applications programmer with a stable development environment based on industry-wide standards such as POSIX and Motif.

**I/O Support — VMISFT-9450 IOWorks Board Drivers:** This driver supports GE Fanuc’s extensive line of VME I/O boards, and is available for Windows NT/Windows 2000 and VxWorks. IOWorks board drivers take advantage of all the key benefits and features of each supported I/O board and new I/O boards are constantly being added.

IOWorks board drivers contain both a C++ class library and a C function library that provide a common interface to GE Fanuc I/O products for reading, writing and configuring. You do not need to know the details of how an individual board is programmed. For instance, you can use the SetAttributes function on any supported GE Fanuc board; the WriteAnalog function controls the output from any GE Fanuc analog output board; or the GetScanMode function retrieves the scan mode for any GE Fanuc analog board.

*Physical/Environmental Specifications*

**Dimensions:** 6U single slot Eurocard form factor (The VMIVME-7648 uses the “01” copper from our VMIVME-7750 SBC.)

Height	9.2 in. (233.4 mm)
Depth	6.3 in. (160 mm)
Thickness	0.8 in. (20.3 mm)

**Power Requirements:**

- +5 VDC (±5 percent), 6 A (typical), 7 A maximum
- +12 VDC (±5 percent), 105 mA (typical), 200 mA maximum
- 12 VDC (±5 percent), 50 mA (typical), 75 mA maximum

Note: The currents at +12 and -12 VDC are specified with the serial connectors open.

## Temperature:

Operating: 0 to +50 °C

(Air flow requirement as measured at outside of heatsink is to be greater than 350 LFM)

Storage: -25 to +80 °C

**Relative Humidity:** 10% to 90%, noncondensing

## VMEbus Interface:

DTB Master:	BLT32/BLT64, A32/D32, A24/D32, A16/D32
DTB Slave:	BLT32/BLT64, A32/D32, A24/D32, A16/D32
Requester:	Programmable, BR(3 to 0), ROR, RWD, BCAP
Interrupt Handler:	IH(1 to 7) D8(O)
Interrupter:	Programmable, IRQ7* to IRQ1*
Arbiter:	SGL, PRI, RRS
BTO:	Programmable (4 to 1,024 µs)
Compliance:	Rev. C.1

## PMC Expansion Site Connector:

5 V signaling, types 1 and 2

32-bit PCI bus, 33 MHz maximum

**MTBF:** 118,633 hours (Bellcore)

## Compatible Products

The VMIVME-7648 can be used with a number of GE Fanuc PMC bus and VMEbus products.

**Floppy/Hard Disk:** GE Fanuc produces floppy/hard drive modules to support the built-in IDE and floppy controller ports.

The VMIVME-7452 provides up to 18.0 Gbyte of hard disk storage and a 3.5-inch 1.44 Mbyte floppy drive. The unit fits into a standard VMEbus 6U single slot form factor. The VMIACC-0562 converts P2 IDE/floppy signals to 40- and 34-pin headers for use at the rear of the VMEbus backplane.

**PMC Capability:** GE Fanuc supports PMC via the onboard PMC expansion site. This expansion site allows the VMIVME-7648 to take advantage of the many commercially available PMC boards available from third-party sources.

**CD-ROM Support:** Since much of today's advanced software is delivered on CD-ROM, the VMIVME-7455 provides CD-ROM capability within a single 6U VME slot.

**VMEbus:** The VMIVME-7648 enables access to GE Fanuc's wealth of VMEbus products. If you have real world control, monitoring and real time networking requirements, GE Fanuc has a solution for you. Today's system requirements demand state-of-the-art solutions. Our advanced I/O features such as Built-in-Test, self-test, isolation, digital autocalibration, and intelligent onboard DSP processing give our customers those solutions.

**The I/O Solution for Your I/O Problem:** GE Fanuc's 18 years of experience in supplying high performance deterministic controllers for multiple markets has led to the development of IOWorks software with features, benefits and capabilities to solve just about any I/O problem. From PLC alternatives to data servers that support the seamless interconnection of dissimilar systems, GE Fanuc has the solution for simple to complex high speed deterministic requirements. IOWorks PC platforms, target, OS and I/O independency provide the flexibility for solutions.

## Trademarks

MMX is a trademark and Intel and Pentium are registered trademarks of Intel Corporation. Visual Basic, Visual C++, Windows, and Windows XP are registered trademarks of Microsoft Corporation. Other registered trademarks are the property of their respective owners.

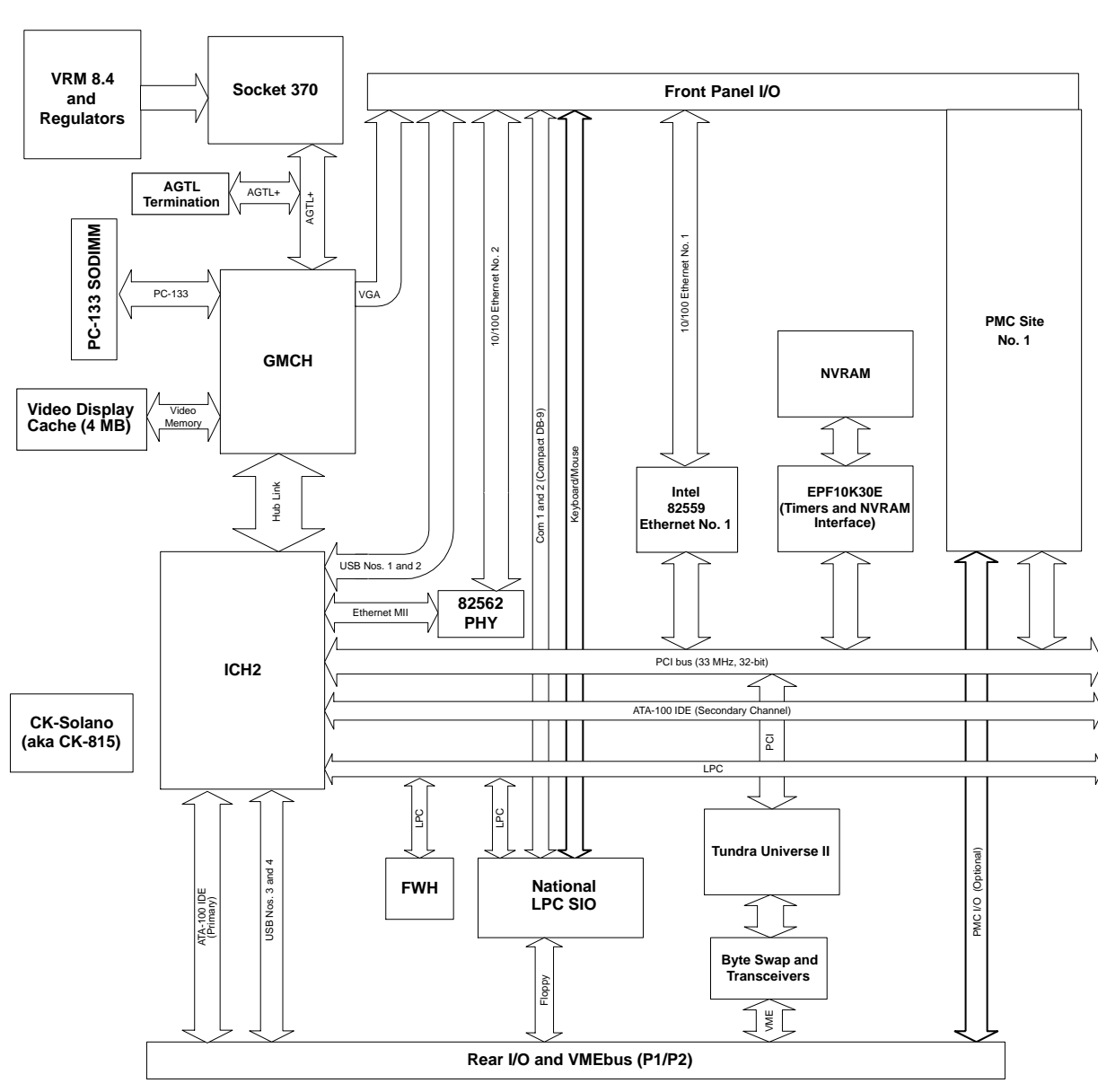


Figure 1. VMIVME-7648 Main Board (Single Slot)



**GE Fanuc Embedded Systems Information Centers**

**USA and the Americas:**

Huntsville, AL 1 800 322-3616  
 1 (256) 880-0444  
 Ventura, CA 1 (805) 650-2111  
 Greenville, SC 1 (864) 627-8800

**Europe, Middle East and Africa:**

Edinburgh, UK 44 (131) 561-3520  
 Paris, France 33 (1) 4324 6007

**Additional Resources**

For more information, please visit the GE Fanuc Embedded Systems web site at:  
[www.gefanuc.com/embedded](http://www.gefanuc.com/embedded)