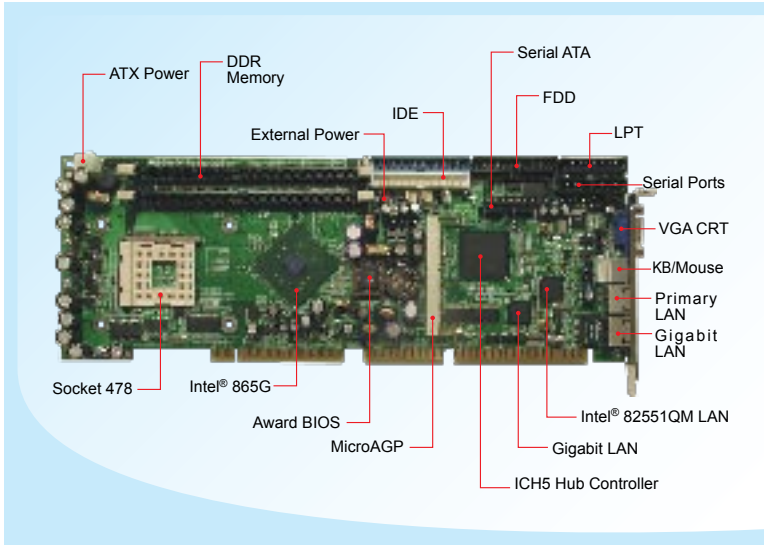


# CPU Cards

# IB840

Socket 478 Full-Size CPU Card w/ Intel® 865G Chipset

Pentium® 4-Based



## >> Features

- Supports Pentium® 4 / Celeron® processors  
Up to 3.2GHz, 800MHz FSB
- DDR DIMM x 2, Max. 2GB, Integrated VGA for CRT
- MicroAGP socket supports ATI M9/M10 VGA, 64MB, LVDS/TV-out/TMDS cards
- Onboard 10/100 BaseT, Optional Gigabit Ethernet
- 4 x USB 2.0, 2x SATA, ISA High Drive
- Watchdog timer, DiskOnChip®, PCI to ISA bridge

## System

CPU	Socket 478 for Pentium® 4 / Celeron®, up to 3.2GHz
System Memory	DDR DIMM x 2, Max. 2GB
System Chipset	Intel® 865G + ICH5, 400/533/800MHz FSB
BIOS	Award
Watchdog Timer	256 levels
SSD	DiskOnChip®
H/W Monitor	Yes
Expansion Slot	One MicroAGP socket

## Graphics

VGA Controller	Intel® 865G integrated VGA or optional ATI Mobility M9/M10 (IBA110)
VGA Memory	Intel® DVMT 2.0 shared memory, Max. 96MB; or 64MB DDR embedded (ATI M9/M10)
LCD Interface	Optional via MicroAGP card (LVDS, TV-out, DVI)

## Ethernet

LAN Controller	Intel® 82551 LAN, 10/100Mbps Optional 2nd LAN (Intel® 82547EI Gigabit LAN)
Connector	RJ-45 on board

## Multi I/O

Chipset	Winbond W83627HF 2x IDE (UDMA33/66/100), 1x FDD, 1x KB, 1x Mouse, 1x RS-232, 1x RS-232/422/485, 1x LPT, 2x SATA
USB	Pin header for 4 ports (USB 2.0)
Audio	Built-in audio + AC97 codec
Others	IrDA

## Mechanical and Environmental

Dimensions	338mm x 122mm (13.31" x 4.8")
Max. Power Requirement	Pentium® 4 2.2GHz w/ 512MB DDR +5V: 6.4A +12V: 6.3A
Operating Temperature	0°C~60°C (32°F~140°F)
Storage Temperature	-20°C~80°C (-68°F~176°F)
Relative Humidity	10%~90% (non-condensing)

## Ordering Information

IB840-R	Socket 478 865G Full-Size CPU card w/ VGA and Ethernet (RoHS compliant)
IB840F-R	Socket 478 865G Full-Size CPU card w/ VGA, 10/100 and Gigabit Ethernet (RoHS compliant)
IBA110-64A	MicroAGP card with M10 64MB VGA for CRT/LVDS/TV-out or 2 <sup>nd</sup> CRT
IBA110-64	MicroAGP card with M9 64MB VGA for CRT/LVDS/TV-out or 2 <sup>nd</sup> CRT
IBA120	MicroAGP card with Chrontel CH7017 transmitter for LVDS or TV-out
IBA130	MicroAGP card with Chrontel CH7009 for DVI and TV-out
USB2K-4-R	USB cable with bracket

Remarks:

\* Specifications are subject to change without prior notice. (-R) at the end of the model name indicates RoHS compliance.