

POTENTIAL TRANSFORMERS

LOW VOLTAGE POTENTIAL TRANSFORMERS

MODELS
460 & 468



460

FEATURES

- Frequency 60 Hz
- Standard Secondary Voltage 120 Volts
- Insulation Class 600 Volts, 10 Kv. BIL.

All models on this page UL recognized



468



MODEL 460 SPECIFICATIONS

- Accuracy Class 0.6W., 1.2X.
- Thermal Rating
150 VA at 30°C amb., 100 VA at 55°C amb. (60 Hz)
- Terminals are Brass Studs No. 10-32 with one lockwasher, flat washer and regular nut.
- The core and coil assembly is encased in a thermoplastic shell and filled with resin.
- These transformers are designed for operation line-to-line. They may also be operated line-to-ground or line-to-neutral, at reduced voltage, (58% of rated volts).
- It is desirable to use a 1.6 amp fuse in the secondary to protect the transformer.
- With three exceptions these transformers are ANSI C57.13 group 1. Those marked * are group 2.
- Each transformer has two plastic terminal covers.
- This page contains a circle diagram for the estimation of the errors for other than rated burdens.
- Approximate weight 7.75lbs. Model 460

MODEL 468 SPECIFICATIONS

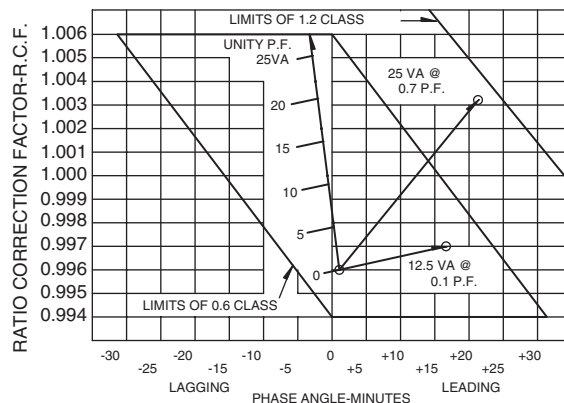
- Accuracy Class:
±0.6% at all burdens up to 7.5 VA and ±1.5% with 20VA burden.
- Thermal Rating:
75VA at 30°C amb., 50 VA at 55°C amb. (60 Hz only)
- Terminals are No. 10-32 screws with one lockwasher & one flat washer and regular nut.
- The core and coil assembly is encased in a thermoplastic shell and filled with resin.
- These transformers are designed for operation line-to-line. They may also be operated line-to-ground or line-to-neutral, at reduced voltage, (58% of rated volts).
- It is desirable to use the proper size fuse in the secondary to protect the P.T. Use a 0.80 amp fuse with Model 468.
- With two exceptions these transformers are ANSI C57.13 group 1. Those marked * are group 2.
- Each transformer has two plastic terminal covers.
- Approximate weight 4 lbs. Model 468

APPLICATION AND ORDERING DATA

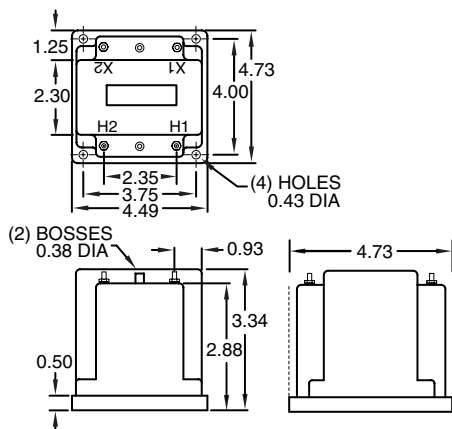
CATALOG NUMBER	CATALOG NUMBER	VOLTAGE RATING	TURNS RATIO
460-069	468-069	69.3:120	0.58:1
460-120	468-120	120:120	1:1
460-208	468-208	208:120	1.73:1
460-240	468-240	240:120	2:1
460-277	468-277	277:120	2.31:1
460-288	468-288	288:120	2.4:1
460-300	468-300	300:120	2.5:1
460-346	468-346	346:120	2.88:1
*460-480	*468-480	*480:120	4:1
*460-600	*468-600	*600:120	5:1

VOLTAGE TRANSFORMER CIRCLE DIAGRAM

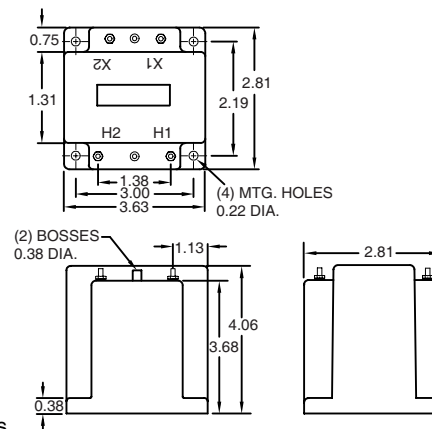
THIS GRAPH IS DRAWN FOR A 60Hz 0.6 P.F. SYSTEM LOAD



MODEL 460 DIMENSIONS



MODEL 468 DIMENSIONS



All Dimensions In Inches

FLEX-CORE®

Div. Morlan & Associates, Inc.

6625 McVey Blvd. Columbus, Ohio 43235

WWW.FLEX-CORE.COM

sales@flex-core.com

PHONE (614) 889-6152

TECH. ASSISTANCE (614) 876-8308

FAX # (614) 876-8538