



Multi Range DC Power Supply PWR Series



3 types supporting rated output voltages of L (80 V), M (320 V), and H (650 V).

3 types supporting maximum output powers of 400 W, 800 W, and 1600 W. 9 models in the series in total.

Power supply with quintuple variable voltage/current range (3.25-times for the H type)

Capable of outputting up to 160% of the rated current (extended operation areas) (L type)



With a single PWR series power supply alone, you can cover an extensive output range equivalent to what is provided by three to six conventional single range DC power supplies.

Multi Range DC Power Supply

PWR series



**3 types of L, M, and H
Lineup of 9 models in total!**

Provides a seamless, wide, variable range of voltages and currents.

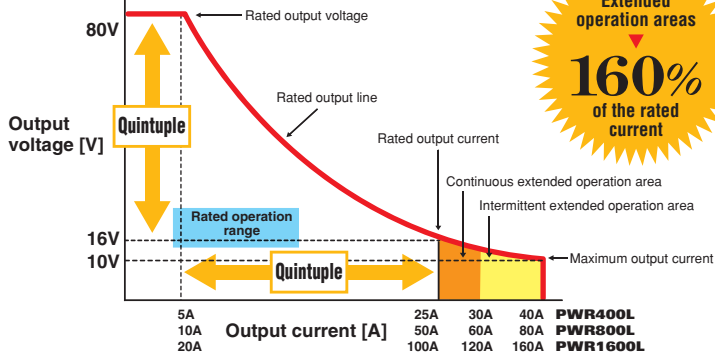
The PWR series offers DC power supplies that enable you to combine a multi range of voltages and currents within the output power rating. The series has a lineup of 9 models in total, 3 types supporting rated output voltages of L, M, and H and 3 types supporting different maximum output powers.

The L and M types offer a quintuple variable range of voltages and currents. The L type is capable of outputting up to 80 V, and the M type up to 320 V. In addition, the L type is capable of outputting up to 160% of the rated output current. (See Operation Area.)

The H type offers a 3.25-times variable range of voltages and current, and is capable of outputting up to 650 V.

Operation Area

PWR-L (80 V type)

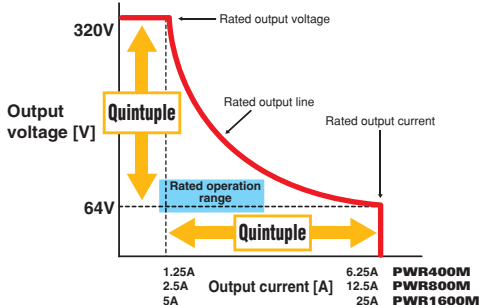


[Extended operation areas]

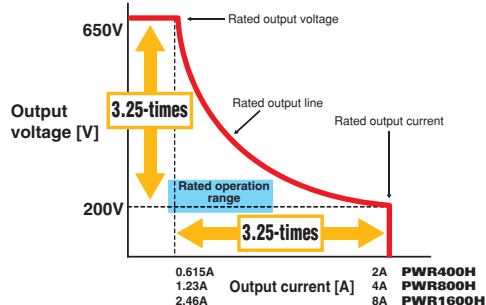
The L type offers extended operation areas equivalent to up to 160% of the output current rating. Some of the specifications may not be satisfied in the extended operation areas.

- Continuous extended operation area (up to 120% of the output current rating): Continuous current output is enabled. However, derating occurs at an ambient temperature 30°C or higher.
- Intermittent extended operation area (120% to 160% of the output current rating): Continuous current output is enabled for 10 minutes or less. However, a nonoperating period more than twice the output period must be taken.

PWR-M (320 V type)



PWR-H (650 V type)

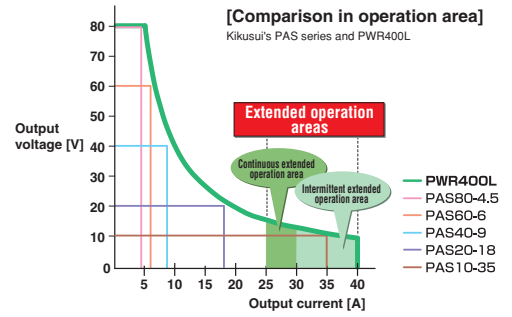


Very Convenient and Economical Power Supplies That Serve Multiple Purposes.

The PWR series contributes to applications in which the environment greatly changes, such as tests with varying voltages and currents and research and development experiments with the voltage and current ranges varying widely depending on the item under development.

●Applications

- [Car electronics components]..... EPS motor, Radiator, Fan motor, DD converter, Vehicular harness, ECU, Door lock, Power window, HID lamp, etc.
- [Electronic components]..... TFT back light, photovoltaic inverter, DD converter, etc.
- [Batteries]..... Lead battery, sealed battery, etc.
- [Communication equipment]..... Switches, communication servers, etc.
- [Tests]..... Suitable for applications for which a test voltage or current is not determined



Parallel Operation Possible

Parallel operation enables multiple power supplies of the same model to operate in parallel, offering a large capacity of up to 8 kW (when five 1600-watt models are connected in parallel).

Front Output Terminals Included as Standard.

The power supplies have front output terminals (up to 30 A) for desktop use.

●Panel Description (400-Watt Type)

SHIFT
Pressing a switch lit in blue while holding down this switch enables the function corresponding to that blue-lit switch.

CONFIG
Turning on the power while holding down this switch starts the power supply in the CONFIG state, in which you can configure the settings related to the system operation.

LOCK
Pressing this switch disables all the switches other than the output on/off switch.

ADDRESS
Press this switch to set a node address in the range of 05 to 36 for digital remote control.

POWER
This is the power switch.

OUTPUT

VOLTAGE/PWR DSPL
Choose between Coarse and Fine (number of digits) for voltage setting.

CURRENT/PWR DSPL
Choose between Coarse and Fine (number of digits) for current setting.

SET
Press this switch to set or check the output voltage and current values.

OVP/OCF
Press this switch to set or display the OVP (over voltage protection) and OCP (over current protection) operating voltages and currents.

Dial
Change the voltage, current, and other set values.

DC OUTPUT (front output terminals)

DC OUTPUT

Sensing terminal

Air vent

J1 connector
Use this connector to select the analog remote control, serial/parallel operation, and other functions.

TP-BUS connector
Use this connector to connect the power supply to Kikusui's PIA4800 series controller using a twisted pair wire for digital remote control.

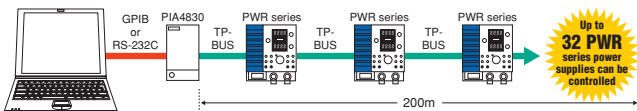
AC INPUT
Note: This will be a terminal board for the 1600-watt type.

Digital Communication Function (TP-BUS) Included as Standard.

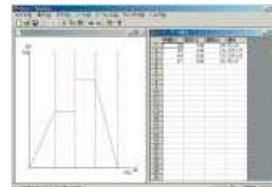
In addition to an analog external control, a digital communication function (TP-BUS) is included as standard. When used with a power supply controller (PIA4830), which is an option to be purchased separately, the function enables up to 32 PWR series power supplies to be controlled using the GPIB or RS-232C interface. In addition, the sequence generation software (Wavy for PWR+PIA4830), allows users to exert output control over a single PWR series power supply with sequence patterns of their choice and to read result data. (If controlling more than one power supply with Wavy, contact us for consultation.)

●Power supply controller PIA4830

GPIB/RS-232C interface unit.
Up to 32 PWR series power supplies can be controlled with one PIA4830 controller.



●Sequence generation software Wavy for PWR+PIA4830



Wavy's screen example

Features/functions

- Waveform images can be generated easily using the mouse.
 - Sequences can be developed and edited with ease.
 - Voltages and currents can be monitored and saved in files.
 - Text files can be read freely.
- *OS: Windows 98/Me/2000/XP

●Options

- Analog remote control connector kit: OP01-PAS
Connect the provided connector to the J1 connector on the rear side for external control.
[Content] 26-pin connector, semi-cover, pin (× 10), and ground cable
- Carrying handle (for PWR400L): CH01-PWR
- Rack mount adapter (for 400W/800W MODEL)
KRA3 (EIA-compatible inch rack)
KRA150 (JIS-compatible millimeter rack)
- Rack mount bracket (for 1600W MODEL)
KRB3-TOS (EIA-compatible inch rack)
KRB150-TOS (JIS-compatible millimeter rack)

Specification

* The L type offers extended operation areas equivalent to up to 160% of the output current rating. Some of the specifications may not be satisfied in the extended operation areas.
 * Continuous extended operation area (up to 120% of the output current rating): Continuous current output is enabled. However, derating occurs at an ambient temperature 30°C or higher.
 * Intermittent extended operation area (120% to 160% of the output current rating): Continuous current output is enabled for 10 minutes or less. However, a nonoperating period more than twice the output period must be taken.

Specification		Output			Constant voltage (CV) characteristics				Constant current (CC) characteristics			Power input/Miscellaneous		
Model	CV	CC	Rated power	Ripple	Line regulation	Load regulation	Transient response	Ripple	Line regulation	Load regulation	Input current	Inrush current	Weight	
	V	A	W	mVrms	0.05% + mV	0.05% + mV	ms	mArms	0.1% + mA	0.1%+mA	AC (100/200V) A	Apeak (Max)	kg (approx.)	
L type	0~80	PWR400L (LLC)	0~25 MAX 40*	400	10	3	5	1	40	10	10	6.5/3.3	35	5
		PWR800L (LLC)	0~50 MAX 80*	800	15	3	5	1.5	80	10	10	13.0/6.5	70	8
		PWR1600L (LLC)	0~100 MAX 160*	1600	20	3	5	2	160	10	10	26.0/13.0	140	15
M type	0~320	PWR400M (LLC)	0~6.25	400	15	3	5	4	25	10	10	6.25/3.13	35	5
		PWR800M (LLC)	0~12.5	800	20	3	5	8	35	10	10	12.5/6.25	70	8
		PWR1600M (LLC)	0~25	1600	25	3	5	12	50	10	10	25.0/12.5	140	15
H type	0~650	PWR400H (LLC)	0~2	400	20	3	5	6	10	10	10	6.0/3.0	35	5
		PWR800H (LLC)	0~4	800	30	3	5	7	20	10	10	12.0/6.0	70	8
		PWR1600H (LLC)	0~8	1600	40	3	5	8	40	10	10	24.0/12.0	140	15

NOTE: For the PWR series, the low leakage current type (LLC model) is also available. For more information, please contact us.

[Common specification]

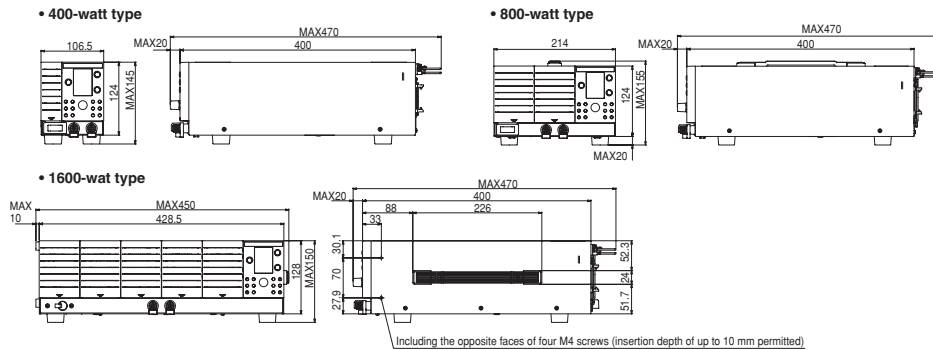
Input power.....100 to 240 VAC (85 to 250 VAC), single-phase
 50 to 60 Hz (47 to 63 Hz)
 Power factor0.98 standard
 Efficiency70% or greater
 Temperature coefficient...100 ppm/°C for constant voltage output
 200 ppm/°C for constant current output
 Measuring meters.....Voltmeter (23°C ±5°C)
 Maximum display (fixed point): 99.99 (L type), 999.9 (M and H types)
 Display error: ±(0.2% of rdng + 5 digits) [rdng = reading]
 Ammeter (23°C ±5°C)
 Maximum display (fixed point)

Maximum output current	Maximum display digits
Models supporting 10 A or less	9.999
Models supporting 10 to less than 100 A	99.99
Models supporting 100 A or greater	999.9

 Display error: ±(0.5% of rdng + 5 digits) [rdng = reading]
 Protection function.....* Over voltage protection (OVP): Setting range (10% to 110% of the rated output voltage)
 * Over current protection (OCP): Setting range: (10% to 110% of the rated output current) for the M and H types
 Setting range: (10% to 176% of the rated output current) for the L type
 * Over power protection (OPP): Approx. 110% of the rated output power or greater
 * Over heat protection (OHP): Operates due to an internal temperature rise.
 * Power limit (POWER LIMIT): Power limit imposed at approx. 105% of the rated output power.
 Parallel operation.....Up to 5 units including master (of same model)
 Serial operationUp to 2 units including master (of same model, for the L type only)
 Digital control.....TP-BUS (directly controllable from PIA4810/PIA4830)
 Monitor signal output ...IMON (at rated voltage output), IMON (at maximum current output): 10.00 ±0.25 V
 Status signal output:....OUT ON/CV/CC/ALM/PWR OFF/PWR ON

Environmental conditions...Operating ambient temperature range: 0°C to +50°C
 Derating occurs on output current at 45°C or higher for the L type and 40°C or higher for the M/H types.
 * Operating ambient humidity range: 20% to 85%rh (non-condensing)
 * Storage temperature range: -25°C to +70°C
 * Storage humidity range: 90%rh or less (non-condensing)
 Cooling system.....Forced air cooling (thermal control: Fan control function attached)
 Ground polarityNegative or positive ground polarity possible.
 Ground voltage.....±600 Vmax for the L and M types
 ±1000 Vmax for the H type
 Electromagnetic compatibility...Conformance to the requirements of the directives and standards below.
 EMC Directive 89/336/EEC
 EN61326 : 1997/A2 : 2001 Emission : Class A
 Immunity : Minimum immunity test requirements
 EN61000-3-2 : 2000
 EN61000-3-3 : 1995/A1 : 2001
 (*Not applicable to custom-made modified products.)
 (*Only those models with CE marking provided on their panel.)
 SafetyConformance to the requirements of the directive and standard below.
 Low Voltage Directive 73/23/EEC
 EN61010-1:2001 Class I, Overvoltage Category II, Pollution Degree 2
 Dimensions.....400-watt type: 106.5 W × 124 (145) H × 400 (470) D mm
 800-watt type: 214 W × 124 (155) H × 400 (470) D mm
 1600-watt type: 428.5 (450) W × 128 (150) H × 400 (470) D mm
 *Enclosed in parentheses are maximum dimensions.
 AccessoriesInstruction manual, power cord (400-watt type: Approx. 2.4 m in length, with a plug; 800-watt type: Approx. 3 m in length, with a plug; 1600-watt type: 3m in length, without a plug)
 Rear side output terminal protection cover, TP-BUS connector, J1 dummy connector, output terminal screws, etc.

[Dimensions drawing Units: mm]



KIKUSUI ELECTRONICS CORPORATION

1-1-3, Higashiyamata, Tsuzuki-ku, Yokohama, 224-0023, Japan
 Phone: (+81) 45-593-7570, Facsimile: (+81) 45-593-7571, www.kikusui.co.jp

KIKUSUI AMERICA, INC. 1-800-KIKUSUI | www.kikusuiamerica.com

1633 Bayshore Highway, Suite 331, Burlingame, CA 94010
 Phone : 650-259-5900 Facsimile : 650-259-5904

KIKUSUI TRADING (SHANGHAI) Co., Ltd. | www.kikusui.cn

Room, D-01,11F, Majesty Bld, No.138, Pudong Ave, Shanghai City
 Phone : 021-5887-9067 Facsimile : 021-5887-9069

For our local sales distributors and representatives, please refer to "sales network" of our website.

●Distributor:

■ All products contained in this catalogue are equipment and devices that are premised on use under the supervision of qualified personnel, and are not designed or produced for home-use or use by general consumers. ■ Specifications, design and so forth are subject to change without prior notice to improve the quality. ■ Product names and prices are subject to change and production may be discontinued when necessary. ■ Product names, company names and brand names contained in this catalogue represent the respective registered trade name or trade mark. ■ Colors, textures and so forth of photographs shown in this catalogue may differ from actual products due to a limited fidelity in printing. ■ Although every effort has been made to provide the information as accurate as possible for this catalogue, certain details have unavoidably been omitted due to limitations in space. ■ If you find any misprints or errors in this catalogue, it would be appreciated if you would inform us. ■ Please contact our distributors to confirm specifications, price, accessories or anything that may be unclear when placing an order or concluding a purchasing agreement.

Printed in Japan

Issue:Aug.2008

2008081KJEC51

Test Equipment CONNECTION 400 + Manufacturers
40,000 + Products

YOUR SINGLE SOURCE TEST & MEASUREMENT SOLUTION

NEW & USED TEST EQUIPMENT

- Rent Equipment
- Sell Equipment
- Lease Equipment
- Trade-In Equipment

Spectrum analyzers • Mobile phone testers • Oscilloscopes
Network analyzers • Service monitors • OTDR
• Multimeters - at great savings!

www.testequipmentconnection.com

Sales@Testequipmentconnection.com
USA Voice: (800) 615-8378
Voice Direct: (407) 804-1299
Skype: TestEquipmentConnection

Test Equipment Connection Corporation is your single source test & measurement solution. We offer over 400 test equipment manufacturers including Agilent, Tektronix, Anritsu, Rohde & Schwarz, Advantest, Megger, LeCroy, Chroma and Fluke, plus thousands of New, Used, Second Hand, Pre-Owned, Demo, Refurbished, and Reconditioned test equipment products.

For over 18 years, we have been providing high quality spectrum analyzers, mobile phone testers, oscilloscopes, network analyzers, service monitors, RF amplifiers, broadband amplifiers, signal generators, OTDR, fusion splicers, and digital multimeters at great savings to over 200,000 customers worldwide. Lease or rent from us, and we can help manage your idle assets using our consignment program. Trade in underutilized test equipment for cash or credit towards the test solutions you need today! TEC offers repair and calibration support for thousands of current and discontinued brands. TEC's GSA Contract #GS-07F-0358U provides lower cost test and measurement equipment to qualifying government contractors and agencies.

www.TestEquipmentConnection.com

<p>Americas USA & Canada:(800) 615-8378 Florida:(407) 804-1299 Mexico: 52-55-8421-4127 Chile: 2-897-4335 Brazil:301-32793 Fax: 800-819-8378 / 407-804-1277 Skype: TestEquipmentConnection</p> <p>Test Equipment Connection Corporation 30 Skyline Drive Lake Mary, FL 32746 USA</p>	<p>Europe United Kingdom: 20-8144-7837 Ireland: 1-442-8376 Sweden: 46-46-288-61-42 Denmark: 369-92915 Finland: 358-9-2316-3837 Belgium: +32 (2)808 0820</p> <p>Test Equipment Connection Europe S.P.R.L. Levels 20, Bastion Tower 5 Place du Champ de Mars B-1050 Brussels</p>	<p>Asia/Pacific China: 86-136-3217-2095 Hong Kong: 852-2690-1360 Singapore: 65-6320-8596 Australia: 61-2-8011-3687 Skype: TEConnectionAsia</p> <p>TE Connection Asia, Ltd. Unit E4, 7/F., Phase I, Kaiser Estate, No. 41 Man Yue Street Kowloon, Hong Kong.</p> <p>Test Equipment Connection Pte. Ltd. 6 Battery Road #31-00 Standard Chartered Bank Building Singapore 049909</p>
--	---	--



[Click Here to Request an Offer on Your Surplus Test and Measurement Assets Today](#)