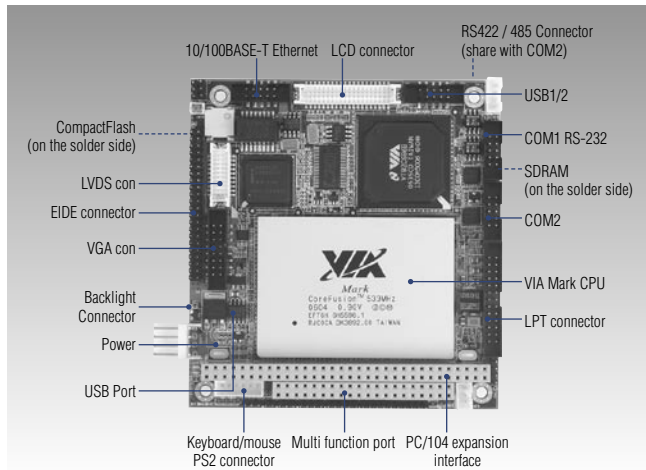


# PCM-3375

## VIA® "Mark" CoreFusion™ Module with VGA/LCD, Ethernet & SSD



### Features

- VIA® "Mark" CoreFusion™ 533 MHz Processor
- Supports CompactFlash type I SSD solution
- Simple, reliable fanless operation
- 10/100BASE-T Fast Ethernet
- 24-bit TFT LCD support

### Specifications

#### General

- **CPU** Embedded low power onboard VIA "Mark" 533 MHz processor
- **1st Cache Memory** 64 KB
- **System Chipset** VIA VT82C686B
- **BIOS** AWARD® 256 KB Flash BIOS
- **System Memory** 1 x 144-Pin SODIMM 8/16/32/64/128/256/512 MB SDRAM
- **Power Management** APM 1.2
- **SSD** CompactFlash Card Type I
- **Watchdog Timer** 62 lever timer (Optional flexible interval available)
- **Expansion Interface** PC/104
- **Battery** Lithium 3 V/210 mAh

#### I/O

- **I/O Interface** 1 x EIDE, 1 x FDD, 1 x K/B, 1 x mouse, 2 x RS232, 1 x LPT
- **USB** 2 x USB 1.1, Open HCI compliant
- **IrDA** 1 x 115 kbps SIR, IrDA 1.0 compliant

#### Ethernet

- **Chipset** Intel® 82551ER
- **Interface** IEEE 802.3 10 Base-T, IEEE 802.3u 100 Base-TX Fast Ethernet Compatible

#### Display

- **Chipset** VIA "Mark" CoreFusion™ processor
- **Memory Size** 8/16/32 MB frame buffer shares the system memory
- **Resolution** CRT display mode  
pixel resolution up to 1600 x1200 x 16 bpp  
LVDS display Mode  
up to SXGA (1400 x 1050) panel resolution
- **LCD Interface** Supports 1 channel 24-bit LVDS LCD Panel (TTL signal)
- **LVDS Interface** Supports 2 channel (2 x 18-bit) LVDS interface

#### Mechanical and Environmental

- **Dimension (L x W)** 96 x 90 mm (3.8" x 3.5")
- **Weight** 0.097 kg (0.214 lb)
- **Operating Temperature** 0 – 60° C (32 – 104° F), operation
- **Operating Humidity** 0% – 90% relative humidity, non-condensing

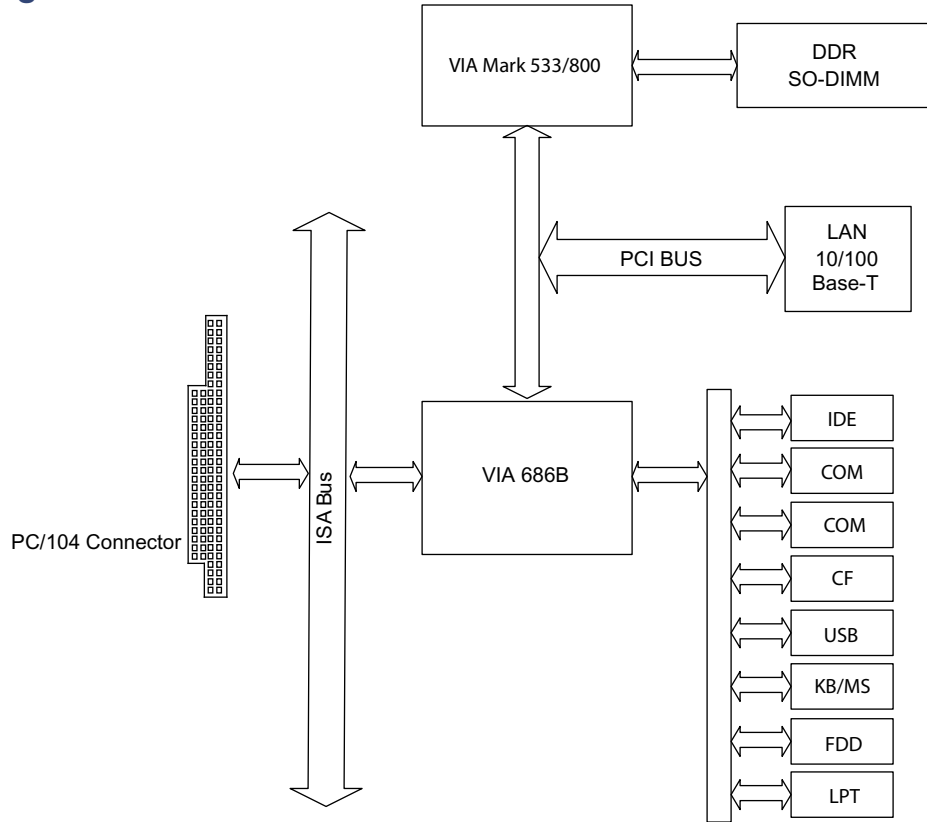
#### Power

- **Power Supply Voltage** AT, +5 V ±5%, +12V ±5% (5V only, 12V optional for PC104 add on card and LCD inverter)
- **Power Consumption (Mark 533 MHz, SDRAM 256 MB)** Max: +5 V @ 1.94 A,  
Typical: +5 V @ 2.06 A

### Packing List

- 1 x PCM-3375 SBC
- 1 x KB/Mouse Y-cable EXT cable (p/n:1700000533)
- 1 x KB/Mouse Y-cable (2 PS/2) (p/n:1700060202)
- 1 x 26-34-pin FDD adapter (p/n:9681000044)
- 1 x VGA cable (p/n:1701160150)
- 1 x Ethernet RJ-45 connector conversion cable 20 cm (p/n:1701100202)
- 1 x IDE (HDD) cable (p/n:1701440504)
- 1 x COM port cable 25 cm (p/n:1700100250)
- 1 x LPT port cable (p/n:1700260250)
- 1 x FFC cable for slim FDD (p/n:1701260125)
- 1 x Start up manual
- 1 x CD-ROM (Manual, Driver, Utility)

### Board Diagram



### Ordering Information

| Part No.        | CPU              | Chipset   | CRT | TTL    | LVDS       | 10/100 | USB 1.1 | RS-232 | RS-422/485 | LPT | FDD | CF  | KB/MS | PCI-104 connector | PC/104 connector | Thermal Solution | Operation Temp. | Embedded OS      |
|-----------------|------------------|-----------|-----|--------|------------|--------|---------|--------|------------|-----|-----|-----|-------|-------------------|------------------|------------------|-----------------|------------------|
| PCM-3375F-L0A1E | VIA Mark 533 MHz | VT82C686B | Yes | 24-bit | 2 x 18-bit | 1      | 2       | 1      | 1          | Yes | Yes | Yes | Yes   | --                | Yes              | Passive          | 0 - 60° C       | WinCE (optional) |