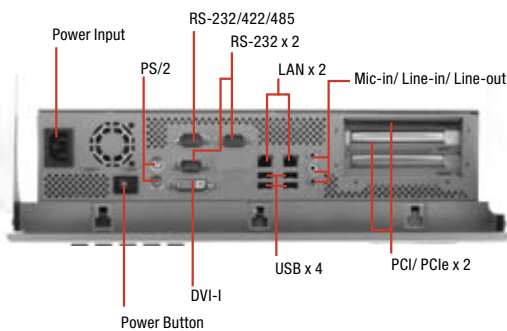
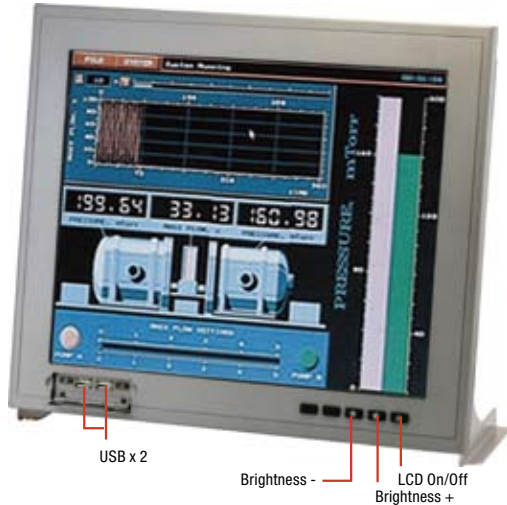


# AGP-3155

15" Rugged Touch Panel Computer With Intel® Core™ i7/i5/P4500 Processor

03

Rugged Expandable Touch Panel Solutions



## Features

- 15" XGA (1024 x 768) TFT LCD Display
- Intel® Core™ i7/i5/P4500 Processor
- Easy-To-Expand: Two PCI/PCIe Slots
- IP-65 Aluminum Die Cast Front Bezel
- Two Easy Access Front USB Ports
- 15" 250 Nits XGA CCFL Backlight  
15" 800 Nits XGA LED Backlight
- Modular Design For CPU Board



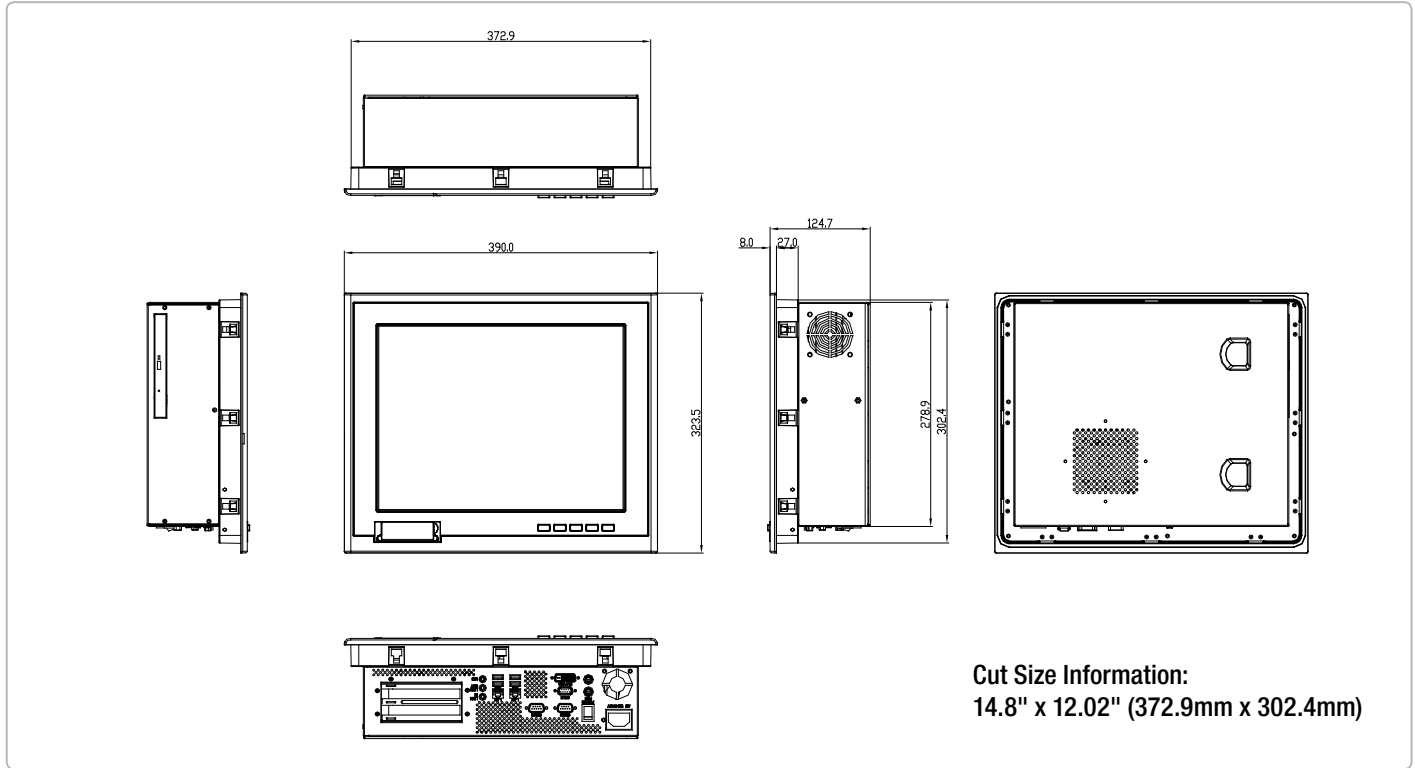
## Specifications

System	
Processor	Intel® Core™ i7/i5/P4500 Processor, Core™ i7 -620M, Core™ i5-520M, P4500
Memory	DDR3 800/1066MHz SODIMM x 2, up to 8 GB
Chipset	Intel® Core™ i7/i5 + QM57
LCD/CRT Controller	Integrated in Intel® QM57
Ethernet	10/100/1000Base-TX, RJ-45 x 2
I/O Port	RS-232 x 2, RS-232/422/485 x 1, USB2.0 x 6 (2 on front, 4 on rear), Line-out/ MIC-in/Line-in x 1, PS/2 x 1 for KB/Mouse, DVI-I x 1
Storage Disk Drive	3.5" SATA Hard Disk Drive x 2, Slim DVD-Combo (optional)
Expansion Slot	Mini card x 1, PCI slot x 2 or PCIe x 2
OS Support	Windows® XP, Windows® 7, Linux Fedora
Mechanical	
Construction	IP-65/ NEMA4 for aluminum die cast front bezel & Steel chassis
Mounting	Panel/ Desktop/ Rack
Dimension	15.36" x 12.76" x 4.91" (390mm x 323.5mm x 124.7mm)
Carton Dimension	24.21" x 20.47" x 12.99" (615mm x 520mm x 330mm)
Gross Weight	18.04 lb (8.2 kg)
Net Weight	14.74 lb (6.7 kg)
Environmental	
Operating Temperature	32°F ~ 122°F (0°C ~ 50°C) (Ambient with airflow)
Storage Temperature	-4°F ~ 158°F (-20°C ~ 70°C)
Storage Humidity	10%~95% @ 40°C; non-condensing
Vibration	1 g rms/ 5~500Hz/ Random operation (HDD)
Shock	20 G peak acceleration (11 msec. Duration)
EMC	CE/FCC Class A
Power Supply	
AC input 250W	110/230V AC power
LCD	
Display type	15" TFT-LCD
Max Resolution	1024 x 768
Max. Colors	16.2M colors (6/8-bit for R,G,B)
Luminance	HTT: 250 cd/m <sup>2</sup> , STT: 800 cd/m <sup>2</sup>
Viewing Angle	HTT: 170°(H)/160°(V), STT: 160°(H)/140°(V)
Back Light	HTT: CCFL, STT: LED
Back Light MTBF (hours)	HTT: 30,000, STT: 60,000
Touchscreen	
Type	5-wire resistive
Light Transmission	80%
Lifetime (times)	35 Million activations

# AGP-3155

## Dimension

Unit: mm



Cut Size Information:  
14.8" x 12.02" (372.9mm x 302.4mm)

## Ordering Information

Part Number	Display Type	Max Resolution	Luminance	View Angle	Backlight MTBF (Hours)	CPU	LAN	USB	RS-232	RS-485/422/232	Storage	RAM	Display	Expansion	Mounting	Power	Temp.	Touch
TF-AGP-3155HTT-A1-1010	15" TFT-LCD	1024 x 768	250 cd/m <sup>2</sup>	170(H), 160V	30,000	Intel® Core™ i7-620M/i5-520M/P4500	2	6	2	1	CF Kit x 1 SATA-HDD Kit x 1	-	DVI-I x 1	Mini Card x 1 PCI x 2	Desktop/Panel	AC 110/230 V	0°C-50°C (w/o air)	5-wire resistive
TF-AGP-3155HTT-A2-1010	15" TFT-LCD	1024 x 768	250 cd/m <sup>2</sup>	170(H), 160V	30,000	Intel® Core™ i7-620M/i5-520M/P4500	2	6	2	1	CF Kit x 1 SATA-HDD Kit x 1	-	DVI-I x 1	Mini Card x 1 PCIe x 2	Desktop/Panel	AC 110/230 V	0°C-50°C (w/o air)	5-wire resistive
TF-AGP-3155STT-A1-1010	15" TFT-LCD	1024 x 768	800 cd/m <sup>2</sup>	160(H), 140V	60,000	Intel® Core™ i7-620M/i5-520M/P4500	2	6	2	1	CF Kit x 1 SATA-HDD Kit x 1	-	DVI-I x 1	Mini Card x 1 PCI x 2	Desktop/Panel	AC 110/230 V	0°C-50°C (w/o air)	5-wire resistive
TF-AGP-3155STT-A2-1010	15" TFT-LCD	1024 x 768	800 cd/m <sup>2</sup>	160(H), 140V	60,000	Intel® Core™ i7-620M/i5-520M/P4500	2	6	2	1	CF Kit x 1 SATA-HDD Kit x 1	-	DVI-I x 1	Mini Card x 1 PCIe x 2	Desktop/Panel	AC 110/230 V	0°C-50°C (w/o air)	5-wire resistive

## Packing List

- Power Connector
- Mounting Brackets and Screws
- CD-ROM for Manual (in PDF Format) and Drivers
- AGP-3155

## Optional Accessories

- **1702031802**  
Power Cord (US Type)
- **1702031803**  
Power Cord (European Type)
- **170203180E**  
Power Cord (Japanese Type)
- **9761315503**  
Rackmount Kit For AGP-3155
- **9761315504**  
DVD-Combo Kit For AGP-3155
- **9761315506**  
3.5" x 2 HDD Kit For AGP-3155
- **9761317506**  
2.5" x 2 HDD Kit For AGP-3155
- **9761315502**  
Rackmount Kit AGP-3155 w/o Carton
- **9761215303**  
Wireless b/g/n