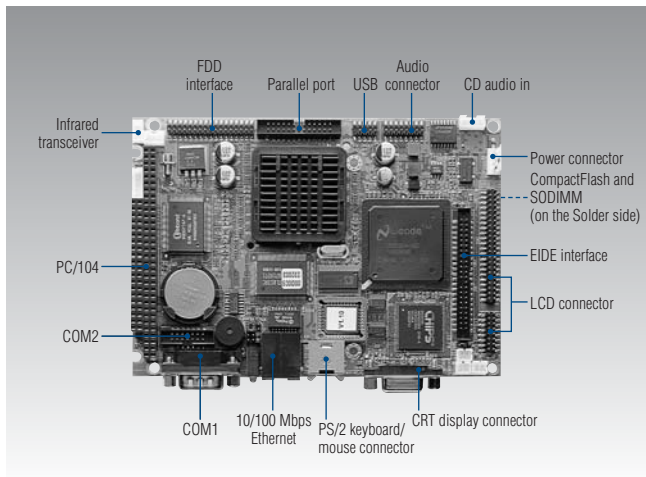


PCM-5824

AMD Geode SBC with CPU, Audio, STN LCD and Ethernet



Features

- Compact and powerful at less than 8 W power consumption
- Supports STN/DSTN/TFT LCD
- 100Base-T Fast Ethernet
- AC'97 PCI surround Audio

Specifications

- **CPU** Onboard AMD Geode processor
GX1-233 MHz processor (PCM-5824-E0A1)
GX1-300 MHz processor (PCM-5824-G0A1)
 - **System Memory** SDRAM SODIMM x 1, Max. 256 MB
 - **System Chipset** AMD CX 5530
 - **BIOS** AWARD 256 KB Flash BIOS
 - **SSD** Supports CompactFlash™ card
 - **Watchdog Timer** Software enable/disable 1.6 sec.
 - **Expansion Interface** PC/104
 - **Battery** Lithium 3 V/196 mAH
- I/O**
- **MIO** 1 x EIDE (Ultra DMA33), 1 x FDD, 1 x K/B, 1 x Mouse, 1 x RS-232/422/485, 1 x RS-232, 1 x LPT
 - **IrDA** 115 Kbps, IrDA 1.0 compliant
 - **Audio** AMD CX 5530, AC'97 2.0 compliant
 - **USB** 2 USB ports, USB 1.1 compliant
- Ethernet**
- **Chipset** RealTek 8139C
 - **Interface** IEEE 802.3u 100Base-T Fast Ethernet compatible
Built-in boot ROM in Flash BIOS



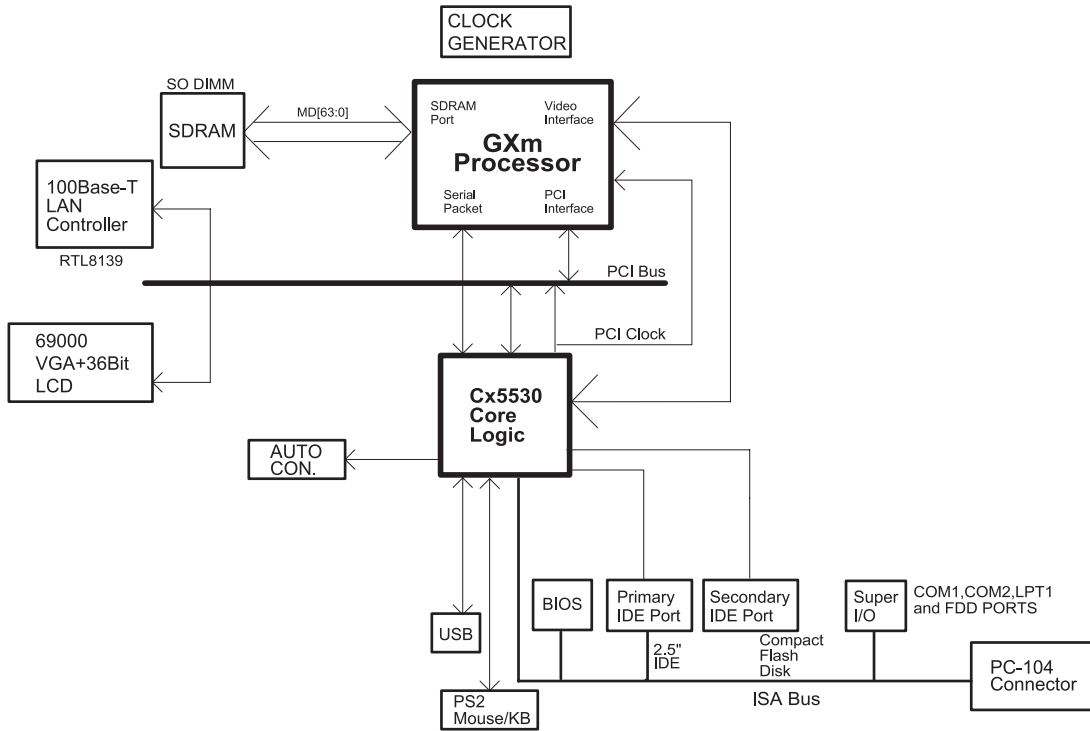
Display

- **Chipset** Asilient (C&T) 69000, Optional 69030
- **Memory Size** 2 MB on 69000 chip, Optional 4 MB on 69030
- **Resolution** LCD/Simultaneous Mode:1280 x 1024@8 bpp, 1024 x 768@16 bpp, 800 x 600@24 bpp
- **LCD Interface** Supports for up to SXGA TFT panel with 9, 12, 16, 18, 24, 36-bit and 8, 16, 24-bit STN, DSTN panels up to SVGA resolution

Mechanical and Environmental

- **Dimensions (L x W)** 145 x 102 mm (5.7" x 4")
- **Power supply Voltage** +5 V ± 5%,
Max. : 4 A @ +5 V
Typical: 1.5 A @ +5 V
(with GX1-300 CPU & 64 MB DRAM)
- **Operating temperature** 0 ~ 60° C (32 ~ 140° F)
- **Operating Humidity** 0% ~ 90% Relative Humidity, noncondensing
- **Weight** 0.75 kg (weight of total package)

Board Diagram



- 1 System on Module Solutions
- 2 Single Board Computers and Accessories
- 3 PC/104 Modules
- 4 Slot CPU Cards and Accessories
- 5 AIMB/POS Control Boards
- 6 Internet Security Platforms
- 7 Embedded Software
- 8 Appx

Packing List

- 1 PCM-5824 SBC
- 1 Mini Jumper pack [count.: 10 pcs] (p/n: 9689000002)
- 1 Keyboard & mouse cable 6P-6P-6P (p/n: 1700060202)
- 1 Audio cable for PCM-5820 (p/n: 1700160160)
- 1 Cable for LPT port (p/n: 1700260250)
- 1 COM2 cable (p/n: 1701140201)
- 1 FDD cable (p/n: 1701340603)
- 1 HDD cable (p/n: 1701440351)
- 1 USB cable (p/n: 1703100260)
- Startup manual
- Utility CD

Ordering Information

Standard

- **PCM-5824-E0A1** AMD Geode SBC with GX1-233 processor, Audio, STN/LCD and Ethernet
- **PCM-5824-G0A1** Same as PCM-5824--E0A1 but w/GX1-300 CPU