

# 1506 Heavy-Duty Industrial PC without Integrated Display

DS-140411(G)

## FEATURES

- AGP graphics with base 4 MB system RAM
  - ◆ Automatically shares up to 32 MB with system RAM
- Intel® Pentium® III options up to 1.26GHz
- Up to 512 MB DRAM (256 MB standard)
- 10/100 BaseT Ethernet port
- Parallel, RS-232 and RS-232C or RS485, PS/2 keyboard and mouse ports
- USB ports (1.1 compliant)
- Four available expansion slots:
  - ◆ Three ¾-length (1 PCI, 1 ISA, and 1 either ISA or PCI)
  - ◆ One ½-length PCI
- DOC 2000 socket
- Floppy drive and CD-ROM drive (with optional CD-R/W/DVD-Read, and DVD-R/W upgrade options)
- Easily removable 40 GB hard drive
- Secondary IDE Drive options (choice of one):
  - ◆ Dual hard drives
  - ◆ Externally accessible CompactFlash™ options up to 512MB
- UL Listed for hazardous locations: Class I Division 2, Groups A, B, C, D (not available with CDW or DVD drive options); Temp. Code T5
- Pre-loaded with MS-DOS®, Windows® NT, Windows® 2000 (with multi-language support for 2000 only), or Windows® XP
- 100-240 V AC power supply
- 2-year warranty included



*Xycom Automation's newest generation of industrial PCs are designed and tested for the tough environments required for plant floor use. Our standard PC configurations meet the strict specifications required for use in hazardous locations and Europe's CE mark. Based on CPU boards designed specifically for industrial automation, these systems provide the capabilities required by demanding applications. With an installed base of over 200,000 systems, our industrial PC products are successfully applied in manufacturing and process environments world-wide.*

### Superior Video Performance

The on-board AGP graphics controller defaults to 4 MB system RAM which allows full color resolution up to 1280 x 1024 resolution. In addition, the 1506 will automatically share up to 32 MB system RAM to allow full 32-bit color depth and fast 3D rendering and graphics performance.

### Higher Performance

With up to 1.26 GHz Pentium III processors available, the 1506 can drive the most demanding applications. The 1506 ships standard with a 1 GHz Socket 370 Pentium III with 256K cache running at 133 MHz bus.

- Optional 1.26GHz with 512K cache, both running at 133 MHz bus is an available option.

### Fits Your Needs

- The 1506 can be configured many different ways. With four available expansion slots – three ¾-length (1 PCI, 1 ISA, and 1 ISA or PCI), and one ½-length PCI, many cost effective, industry standard options are easily integrated. The optional dual hard drive, drives, solid state drive, or externally accessible CompactFlash provide the storage solution you require. Additionally the CD-ROM can be upgraded to CD-R/W/DVD-Read, or DVD-R/W, so that even more storage and/or backup options are

- available.

### Meets High Standards

- To survive on the plant floor, the 1506 meets FCC, UL, cUL, and European CE mark requirements for industrial automation equipment. Xycom Automation leads the industry in reliability, service, and support with an optional five year warranty available.



## SERVICEABILITY

With the cover removed expansion cards are easily installed in the 1506 without cumbersome cables to contend with.



## MOUNTING OPTIONS



Shelf Mounting



Wall Mounting

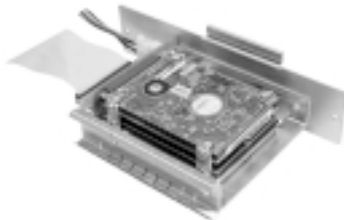
## EASILY REPLACEABLE HARD DRIVE



The 1506 has incorporated an easy access hard drive mount. Simply remove 2 screws and extract the hard drive. Remove the metal bracket and retention spring, attach it to the new hard drive and install your replacement.

## SECONDARY DRIVE OPTIONS

The 1506 has several options for the secondary IDE port on the CPU. The hard drive can be replaced with a dual hard drive unit. If solid state storage media is desired than an externally accessible Type I or Type II CompactFlash™ option is available. Internal Solid State drives are also available.



Dual 2.5" Hard Drives

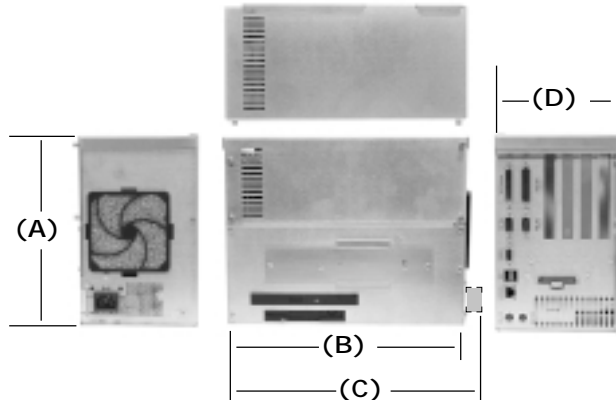


Externally Accessible CompactFlash™

# PRODUCT MOUNTING AND DIMENSIONS

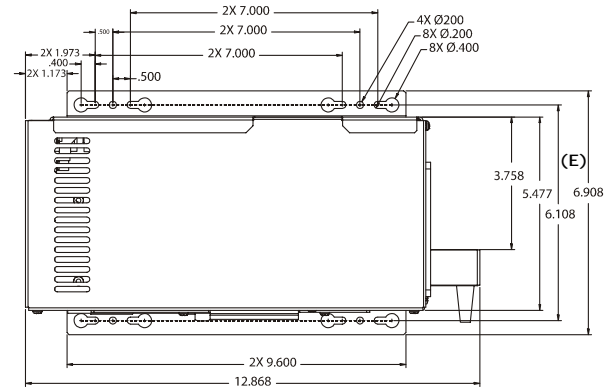
## 1506 Unit Dimensions

<b>Model</b>	<b>1506</b>
<b>Processors</b>	Intel® Celeron, Pentium® III
<b>Preloaded OS</b>	MS-DOS®, Windows NT®, Windows® 2000, XP
<b>Expansion</b>	One ISA, two PCI, one shared (ISA or PCI)

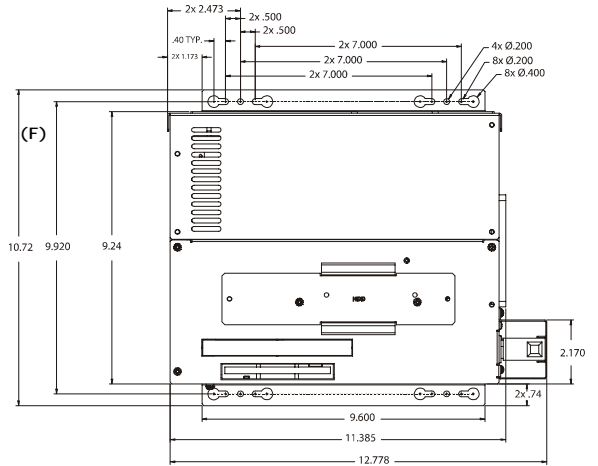


<b>Model</b>	<b>1506</b>
<b>Height (A)</b>	9.24" (234.7 mm)
<b>Width (B)</b>	11.39" (289.3 mm)
<b>Width (C)</b>	12.78" (324.6 mm)
<b>Depth (D)</b>	5.48" (139.2 mm)
<b>Weight</b>	13 lbs (7.2 kg)

### Shelf Mounting (E) 6.91" (175.5 mm)



### Wall Mounting (F) 10.72" (272.3 mm)



# PRODUCT SPECIFICATIONS AND RATINGS

## Environmental

	Operating	Nonoperating
<b>Thermal</b>	0°C to 50°C	-20°C to 60°C
<b>Humidity</b>	20% to 80% RH, noncondensing	20% to 80% RH, noncondensing
<b>Shock <sup>a</sup></b>	15g peak acceleration, 11 msec duration	30g peak acceleration, 11 msec duration
<b>Vibration 5-2000 Hz <sup>a</sup></b>	.006" peak to peak displacement 1.0g maximum acceleration	.015" peak to peak displacement 2.5g maximum acceleration
<b>Altitude <sup>b</sup></b>	Sea level to 10,000 ft.	Sea level to 40,000 ft.

<sup>a</sup> These values are with solid state hard drives and not rotating media drives.

<sup>b</sup> Consistent with internal component specifications.

## Electrical

<b>Power Supply</b>	150 watt AC	
<b>AC Power</b>	100-120/200 - 240 V AC, switchable, 50/60 Hz, 2.5 Amp (maximum), 84 W nominal <sup>c</sup>	
<b>Available Expansion Slot Power</b>	38 watts maximum	+5@8A +3.3@5A +12@1.75A -12@200mA <sup>d</sup> -5@200mA <sup>d</sup>

<sup>c</sup> Nominal Power is measured for a base configuration only. Any additional expansion and/or devices will increase the input power required.

<sup>d</sup> -5V and -12V cannot exceed 2 watts.

# PRODUCT SPECIFICATIONS AND RATINGS (CONT'D)

## Compliance



### Regulatory Compliance:

- CE**
- EN 55022: Class A
  - EN 61000-6-2
  - EN61000-3-2, Class A
  - EN61000-3-3
  - IEC 60950-1
- FCC**
- 47 CFR, Part 15, Class A

### Safety Agency Approvals:

- UL 508 Listed
- UL 1604 Listed <sup>a,b</sup>
- CSA-C22.2, #142 Listed
- CSA-C22.2, #213 Listed <sup>a,b</sup>

<sup>a</sup> Class I Division 2, Groups A, B, C, D; Class II, Division 2, Groups F and G; Temp. Code: T5

<sup>b</sup> DCW & DVD Drives are not supported for hazardous locations.

## ORDERING INFORMATION

To create an order number, follow the conventions defined by the example order numbers and product configurations.

### Example Order Number

Order Number	Description
1506-1000-256-CDF-2K	1506 Industrial "Node" PC, Socket 370 Intel® Pentium III 1 GHz CPU (256K Cache, 133 MHz bus), 256 MB DRAM, 40 GB minimum Hard Drive, Rear Access CD-ROM and Floppy, Windows 2000, On-board 10/100 BaseT Ethernet and USB, three 3/4-length expansion slots (1 PCI, 1 ISA, and 1 ISA or PCI) and one 1/2-length PCI expansion slot.

1506 -

#### CPU

- 1000 Pentium III 1.0 GHz, 256k Cache, 133 MHz Bus
- 1260 Pentium III 1.26 GHz, 512k Cache, 133 MHz Bus

#### DRAM

- 256 256 MB DRAM
- 512 512 MB DRAM

#### Internal Hard Drive

- Blank Internal 3.5" 40 GB minimum EIDE hard drive
- 80G 80 GB internal EIDE hard drive
- ND No internal hard drive<sup>a</sup>
- DHD Dual 2.5" 20 GB minimum hard drives
- 4GSS 4 GB solid state hard drive<sup>b</sup>

#### Rotating Media Devices

- F Rear Access Floppy only
- CDF Rear Access Floppy and CD-ROM
- CDWDVDF Rear Access Floppy, CD-R/W with DVD read-only<sup>c f g</sup>
- DVDWF Rear Access Floppy and Read/Write DVD-ROM Drive<sup>c f g</sup>

#### Externally Accessible IDE <sup>b</sup>

- blank Nothing Installed
- CF Externally Accessible Type I/II CompactFlash site
- 128CF Externally Accessible Type I/II CompactFlash site w/128 MB
- 256CF Externally Accessible Type I/II CompactFlash site w/256 MB
- 512CF Externally Accessible Type I/II CompactFlash site w/512 MB

#### Operating System

- Blank MS-DOS
- NT Windows NT <sup>c g</sup>
- 2K Windows 2000 (multi-language) <sup>c</sup>
- XP Pre-activated Windows XP <sup>c</sup>

<sup>a</sup> 128CF, 256CF, or 512CF (with DOS) option must be chosen when selecting the -ND option <sup>b</sup> Not recommended when applications are storing data <sup>c</sup> When ordering -CDWF, -DVDF, -DVDWF options with MS-DOS, drivers will not be loaded and devices will not function properly (requires Windows). <sup>d</sup> Externally accessible options are not available when choosing -DHD option. <sup>e</sup> Windows operating systems are only available when Internal Hard Drive or -DHD options are chosen. <sup>f</sup> Hazardous locations approvals do not apply when configured with a DVD or DVD-R/W drive option. <sup>g</sup> CDW, DVD, and DVDW options are not available with Windows NT.

Important Notice for XP configurations: Certain Microsoft® software product(s) included with this computer may use technological measures for copy protection. IN SUCH EVENT, YOU WILL NOT BE ABLE TO USE THE PRODUCT IF YOU DO NOT FULLY COMPLY WITH THE PRODUCT ACTIVATION PROCEDURES. Product activation procedures and Microsoft's privacy policy will be detailed during initial launch of the product, or upon certain reinstallations of the software product(s) or reconfigurations of this computer, or may be completed by Internet or telephone (toll charges may apply).

### Warranty Information

The 1506 series carries a two-year parts & labor warranty.

Xycom Automation  
734-429-4971  
Fax: 734-429-1010  
<http://www.xycom.com>

**Customer Support Hotline:**  
**734-944-0482**



© 2006 Xycom Automation. Specifications may change without notice.

Xycom Automation is a trademark of Xycom Automation. Other brand or product names are the property of their respective owners.