

SYS-6W6606-4S01

**6-slot Intel® Core™
2 Duo PICMG 1.0 SBC
System**



Features

- **Intel 945GC platform**
 - Supports duo core processor up to 3.4 GHz
 - Supports dual channel DDR2 533/667 SDRAM up to 2 GB
 - Compliance with PICMG 1.0
 - One Gigabit Ethernet delivers excellent network performance
- **Compact system with full configuration & expandability**
 - Supports up to five full-size add-on cards
 - Accepts standard optical drive, FDD, and 3.5" HDD

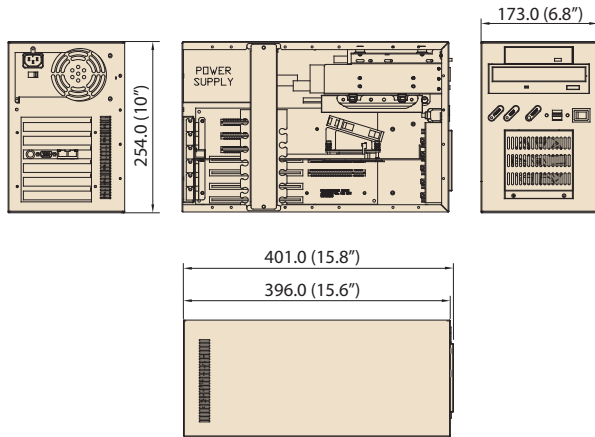


Specifications

Model	SYS-6W6606-4S01				
Form Factor	Wallmount / Desktop				
Processor System	Chipset	Intel 945GC + ICH7			
	CPU	Core 2 Duo	Pentium Dual Core	Celeron D 440	Pentium 4
		3.4 GHz	2.4 GHz	2.2 GHz	3.4 GHz
	L2 Cache	2 MB	1 MB	512 KB	2 MB
	Front Side Bus	800/1066 MHz			
Memory	Dual channel DDR2 533 / 667 MHz 2 x 240-pin DIMM up to 2 GB				
Graphics	Controller	Intel 945GC integrated			
	VRAM	Dynamically shared system memory up to 256 MB			
Expansion Slot	PCIe x 16	-			
	PCIe x 1	-			
	PCI	1 (32-bit / 33 MHz)			
	PICMG/PCI	-			
	PICMG	-			
	ISA	1 (HISA, ISA High Drive)			
Storage	Optical Drive (supported)	CD-ROM / DVD-ROM / CD-RW			
	Floppy Disk (supported)	3.5" 1.44 MB FDD			
	HDD (supported)	SATA			
Drive Bay	5.25" (front-accessible)	1			
	3.5" (front-accessible)	1			
	3.5" (internal)	1			
Ethernet	Interface	10/100/1000 Mbps Gigabit Ethernet			
	Controller	Intel 82574L			
Front I/O Interface	USB	2			
	USB	8			
Rear I/O Interface	PS/2	1			
	COM	2			
	VGA	1			
	Parallel	1			
	RJ-45	1			
Operating System	Microsoft Windows 2000/ XP/ Vista				
Watchdog Timer	Output	Interrupt, system reset			
	Interval	Programmable 1 ~ 255 seconds			
Power Supply	Power Output Wattage	300 W			
	Input Range	AC 100 ~ 240 V			
Cooling	Chassis Fan	1 (9 cm / 53 CFM)			
	Air Filter	Yes			
Miscellaneous	LED Indicators	Power status and HDD activity			

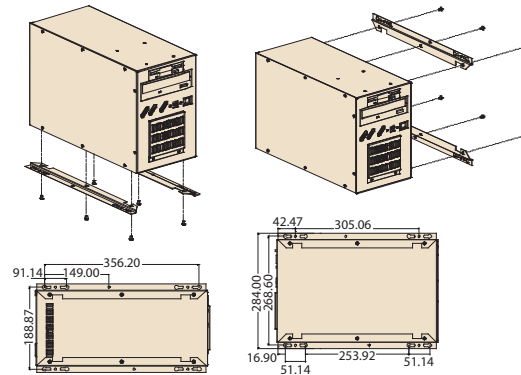
Dimensions

Unit: mm (inch)



Installation

Unit: mm (inch)



Specifications

Environment	Temperature	Operating 0 ~ 40° C (32 ~ 104° F)	Non-Operating -20 ~ 60° C (-4 ~ 140° F)
	Humidity	10 ~ 85% @ 40° C non-condensing	10 ~ 95% @ 40° C non-condensing
Physical Characteristics	Dimensions (W x H x D)	173 x 254 x 396 mm (6.8" x 10" x 15.6")	
	Weight	11 kg (24.2 lb)	

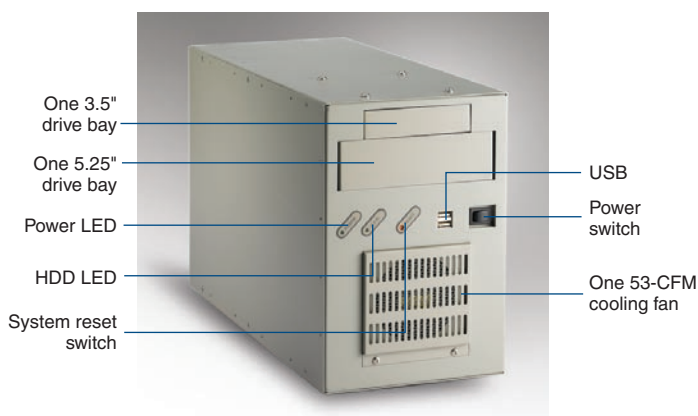
Ordering Information

Please visit Advantech CTOS portal for order entry.
<http://www.advantech.com/ctos>

System Content

Model Number	Item	Part Number
SYS-6W6606- 4S01	Chassis	IPC-6606P3-30ZE
	SBC	PCA-6010VG-00A1E

Front View



Inside View

