

INPUT CHARACTERISTICS: (MR2-4250F / 6250F)-2S

- VOLTAGE: 95 - 132 VAC / 190 - 260 VAC SWITCHABLE
- FREQUENCY: 47 - 63 Hz
- INPUT CURRENT: 2.5A / 1.5A PER UNIT (PARALLEL), 5.0A / 3.0A (ONE POWER)
- INRUSH CURRENT: 40A MAX. FOR 115 VAC, 80A MAX. FOR 220VAC

OUTPUT CHARACTERISTICS:

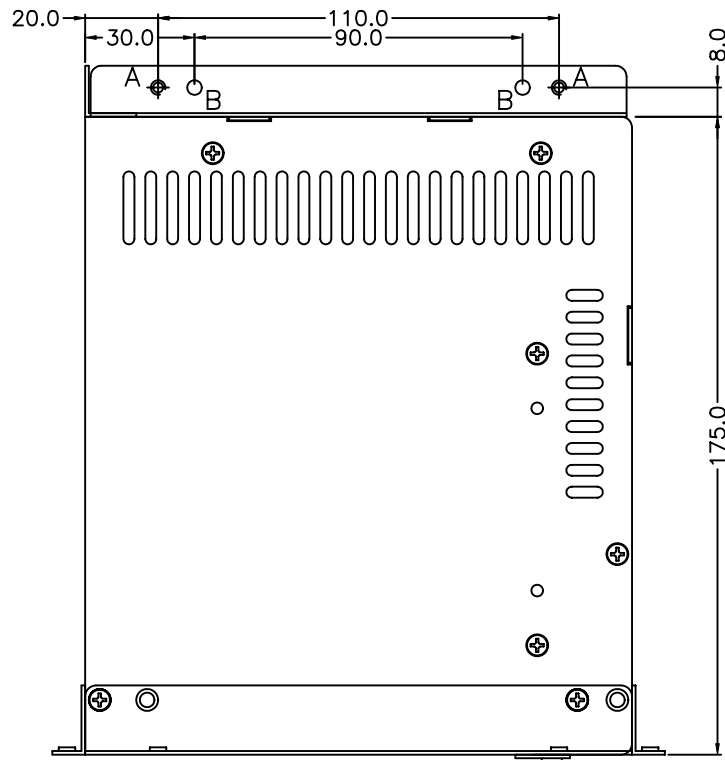
OUTPUT VOLTAGE	OUTPUT CURRENT			REGULATION		OUTPUT
	MIN. [A]	MAX. [A]	PEAK [A]	LOAD	LINE	RIPPLE & NOISE MAX. [P-P]
+5V	4.0	23	25	± 5%	± 1%	60mV
	3.0*	16*	18*			
-5V	0	1.0	1.5	± 11%	± 1%	120mV
+12V	1.5	9	10	± 5%	± 1%	120mV
-12V	0	1	1.5	± 11%	± 1%	120mV
+3.3V*	1	14	15	± 5%	± 1%	50mV
+5VSB*	0	820mA	850mA	± 5%	± 1%	100mV

* : MR2-6250F (ATX) ONLY

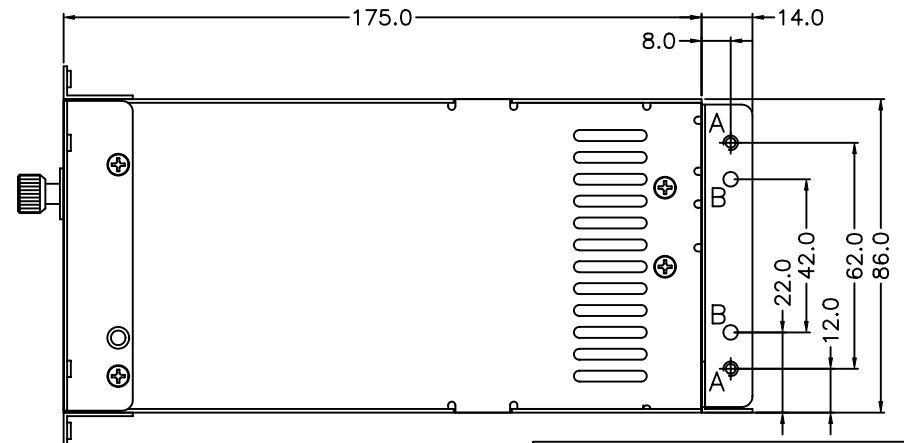
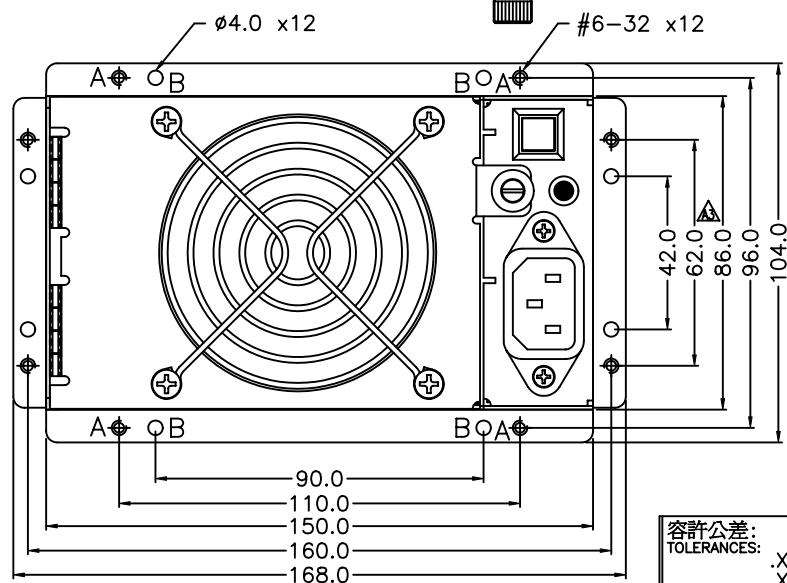
SPECIFICATION:

- HOLD UP TIME: 16 ms MINIMUM AT FULL LOAD & NORMAL INPUT VOLTAGE
- DIELECTRIC WITHSTAND: INPUT / OUTPUT 1500 VAC FOR 1 SECOND
INPUT TO FRAME GROUND 1500 VAC FOR 1 SECOND
- HUMIDITY: 10 ~ 90% RH
- EFFICIENCY: 75% TYPICAL, AT FULL LOAD
- POWER GOOD SIGNAL: ON DELAY 100 ms TO 500 ms, OFF DELAY 1 ms
- OVER LOAD PROTECTION: 110 ~ 150% MAX.
- OVER VOLTAGE PROTECTION: **+5V → 5.5V ~ 6.5V**
- OVER CURRENT PROTECTION: SHORT CIRCUIT
- EMI NOISE FILTER: MEET FCC CLASS B, CISPR22 CLASS B
- SAFETY: MEET UL 1950, CSA 22.2 MP/ 950, TÜV IEC 950
- **HOT-SWAPPABLE / HOT-PLUGGABLE CAPABILITY**
DIMENSION: **176(L) x 150 (W) x 86(H) mm**
POWER UNIT: **120(L) x 106(W) x 40(H) mm**
- ALARM METHOD: 1. AUDIO ALARM
2. FAULT LED
3. POWER DEFECTIVE SIGNAL
- REMOTE ON / OFF FEATURE, TTL LEVEL ON --- LOW OFF --- HIGH
- **DC FAN FAIL DETECT CAPABILITY**
- OPERATING TEMPERATURE: 10 TO 40
- SHORT CIRCUIT: SHUTDOWN
- COMPATIBLE WITH WINDOWS NT SYSTEM THRU FAB-5 (FAULTY ALERT BOARD)
- REMOTE SENSE DESIGN ON 5V CHANNEL
- AUTO CUT OFF POWER OF DC FAN WHEN OPEN THE REVOLVING DOOR

REVISIONS		日期 DATE
版次 REV.	記號 DESCRIPTION	
A2	修正文字說明	86/12/01
A3	修正尺寸標示位置	98/07/23



NOTE: 1.THE BRACKETS CAN BE USED SUBJECT TO USER'S CHOICE.
 2.IF POWER SUPPLY WILL BE MOUNTED FROM INSIDE OF SYSTEM CHASSIS, PLEASE CHOOSE OPTION A.(THREADED)
 3.IF POWER SUPPLY WILL BE MOUNTED FROM OUTSIDE OF SYSTEM CHASSIS. PLEASE CHOOSE OPTION B.(THROUGH)
 4.THIS DRAWING IS SUITABLE FOR THE SYSTEM CHASSIS WHICH IS NO CONSTRAINT OF THE DEPTH.




容許公差: TOLERANCES:	.XXX ±.025 .XX ±.100 .X ±.250
----------------------	-------------------------------------

材料規格: MATERIAL:	
核准者: APPROVE BY:	日期: DATE:

投影法: PROJECTION:	第三角法
---------------------	------

審核者: CHECK BY:	日期: DATE:
繪圖者: DRAW BY:	日期: DATE:

 新巨企業股份有限公司 ZIPPY TECHNOLOGY CORP. POWER DIVISION	
品名: MODEL NO:	MR2 外觀尺寸圖 (1)
料號: PART NO:	
圖號: DRAW NO:	MR20MA03
槽號: FILE NO:	MR20MA03
單位: UNITS:	mm
版次: REV. NO:	A3
規格: SPEC.:	A2
編號: SHEET:	OF