
Description

The GXB5005 is a 12-channel GPS (Global Positioning System) receiver module. This small module includes all the functions required for GPS and is designed for using an active antenna. The GXB5005 can support the various kinds of the portable applications as well as the car navigation system.

Features

- ◆ General
 - ◆ Implementation of Sony CXD2951GA-4 single chip GPS
 - ◆ Small size with SMD type pads and shield case
 - ◆ Module size (typ.): 22.4 (W) × 23.5 (D) × 3.2 (H) [mm]
 - ◆ Current consumption: Acquisition (typ): 70 [mA]
Tracking (typ): 41 [mA]
Battery backup (typ): 7 [μA]
 - ◆ Datum: WGS-84
 - ◆ Communication method: Supports NMEA-0183 version 3.01
 - ◆ Internal 32.768kHz RTC
 - ◆ Internal 18.414MHz TCXO
 - ◆ Antenna input 50Ω
 - ◆ Recommended antenna element
An active antenna with 0dB and RF amplifier with $NF \leq 2\text{dB}$, 8 to 30dB gain
- ◆ Functionality
 - ◆ 12-channel GPS receiver capable of simultaneously receiving 12 satellites
 - ◆ All-in-view measurement
 - ◆ Valid fix indication output
 - ◆ 1PPS output
 - ◆ WAAS/EGNOS compatible
 - ◆ Supported baud rate: 4800bps/9600bps/19200bps/38400bps by HW setting
 - ◆ Internal power on reset circuit
 - ◆ Antenna sense (option)

Sony reserves the right to change products and specifications without prior notice. This information does not convey any license by any implication or otherwise under any patents or other right. Application circuits shown, if any, are typical examples illustrating the operation of the devices. Sony cannot assume responsibility for any problems arising out of the use of these circuits.

◆ Performance

- ◆ Tracking sensitivity: -152dBm (typ.)
- ◆ Acquisition sensitivity: -139dBm (typ.)
- ◆ Time to first fix (time until initial measurement after power-on) (typ., Open sky)
 - Cold start (without ephemeris and almanac): 40s
 - Warm start (without ephemeris with almanac): 33s
 - Hot start (with ephemeris and almanac): 2 to 3s
- ◆ Positioning accuracy (Open air with ≥ -130 dBm, PDOP ≤ 2.0)
 - Stand alone (GPS unit only) 2DRMS: approx. 2m
- ◆ Follow-up performance: Velocity: 500km/h or less
Acceleration: 1G or less

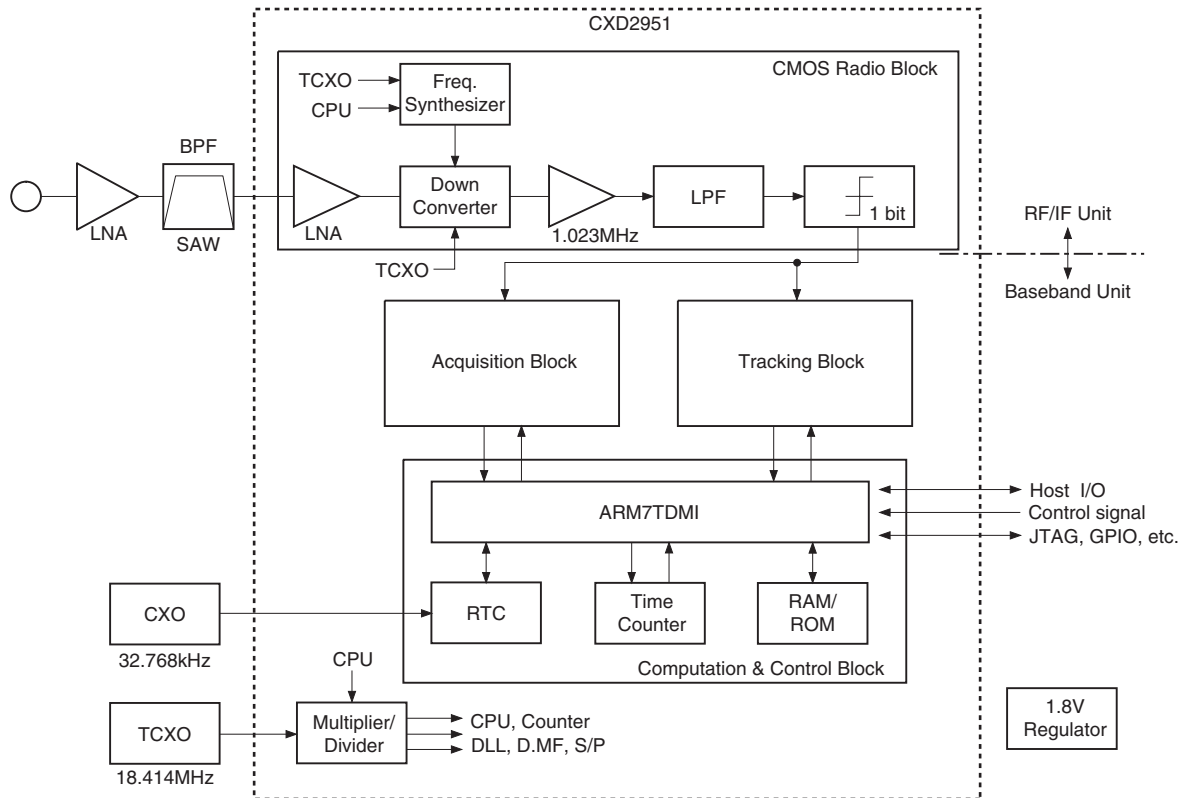
Absolute Maximum Ratings

Item	Symbol	Min.	Max.	Unit
Power supply voltage	V _{DD}	-0.5	3.7	V
Input voltage	V _I	-0.5	5.5	V
Output voltage	V _O	-0.5	V _{DD} + 0.5	V
Operating temperature	T _{opr}	-40	+85	°C
Storage temperature	T _{stg}	-40	+105	°C

Operating Conditions

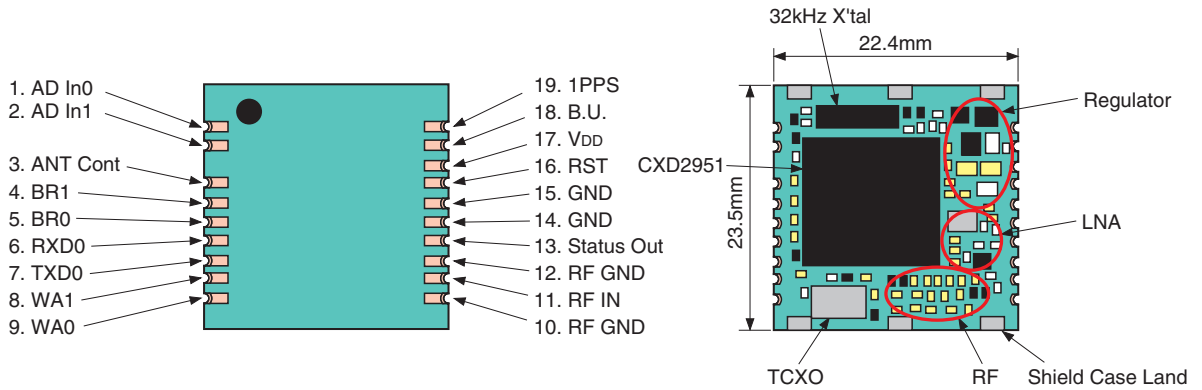
Item	Symbol	Min.	Typ.	Max.	Unit
Power supply voltage	V _{DD}	3.1	3.4	3.7	V
Power supply voltage ripple	V _{DD-rip}			50	mVp-p
Backup battery voltage	V _{bat}	2.6	2.8	3.0	V
Input pin voltage	V _{IN}	-0.3		5.5	V
Supply current: Acquisition (25°C)	I _{cc}		70		mA
Supply current: Tracking (25°C)	I _{cc}		41		mA
Standby current	I _{stdby}		7	120	μA
Operating temperature	T _{opr}	-40	+25	+85	°C
Reception frequency, L1 CA code	F _{IN}		1575.42		MHz

Architecture



Pin Configuration

(Top View)



Pin Description

Pin No.	Symbol	I/O	Description
1	AD In0	I	Antenna sense input 0
2	AD In1	I	Antenna sense input 1
3	ANT Cont	I/O	Antenna sense enable (High active)
4	BR1	I	Baud rate setting 1
5	BR0	I	Baud rate setting 0
6	RXD0	I	UART (CH0) reception data
7	TXD0	O	UART (CH0) transmission data
8	WA1	I	WAAS enable 1
9	WA0	I	WAAS enable 0
10	RF GND		RF GND
11	RF IN	I	GPS signal input
12	RF GND		RF GND
13	Status Out		Status output
14	GND		GND
15	GND		GND
16	RST	I	Hardware reset (Low active)
17	V _{DD}		Power supply 3.4V
18	B.U.		Battery backup 2.8V
19	1PPS	O	1PPS output

Baud Rate Setting

Baud rate	BR1	BR0
4800	Open (L)	H
9600	Open (L)	Open (L)
19200	H	Open (L)
38400	H	H

WAAS Enable

WAAS	WA1	WA0
Command*1	Open (L)	Don't care
Disable	H	Open (L)
Enable	H	H

*1 WAAS function is set by @WA command via UART when WA1 is Low.

Electrical Characteristics

DC Characteristics

(Ta = -40 to +85°C)

Item	Symbol	Condition	Min.	Typ.	Max.	Unit	Pins
Supply voltage	VDD		3.1	3.4	3.7	V	17
	Vbat		2.6	2.8	3.0	V	18
Supply voltage ripple	VDD-rip				50	mVp-p	17, 18
Input voltage	H level	V _{IH}	2.0		5.5	V	3, 4, 5, 6, 8, 9, 16
	L level	V _{IL}	-0.3		0.8	V	
	AD	V _{AD}	0		(V _{DD} - 0.1)	V	1, 2
Output voltage	H level	V _{OH}	I _{OH} = -8mA	2.4		V	3, 7, 19
	L level	V _{OL}	I _{OL} = 2mA		0.4	V	
Current consumption	I _{CC} (3.3V)	Acquisition		70		mA	17
		Tracking		41			
	I _{stdby}	V _{batt} = 2.8V		7	120	μA	18

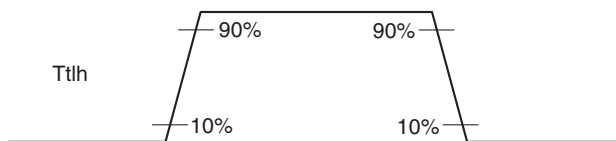
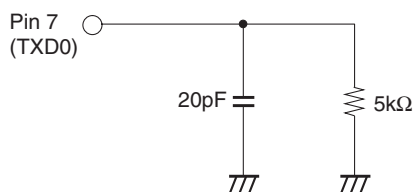
AC Characteristics

(Ta = 25°C)

Item	Symbol	Condition	Min.	Typ.	Max.	Unit
C/N output value	CN	-130dBm input, Tracking, *1		42		dB
TCXO frequency	F _{tcxo}	Internal		18.414		MHz
Message latency	T _I				1.0	s
RF gain	G _{rf}			114		dB
Noise figure	NF			2		dB
Output signal rise time	T _{tlh}	Z _{load} = 5kΩ, 20pF		25	55	ns
Output signal fall time	T _{thl}	Z _{load} = 5kΩ, 20pF		30	60	ns

*1 Using SONY evaluation software "GPS View"

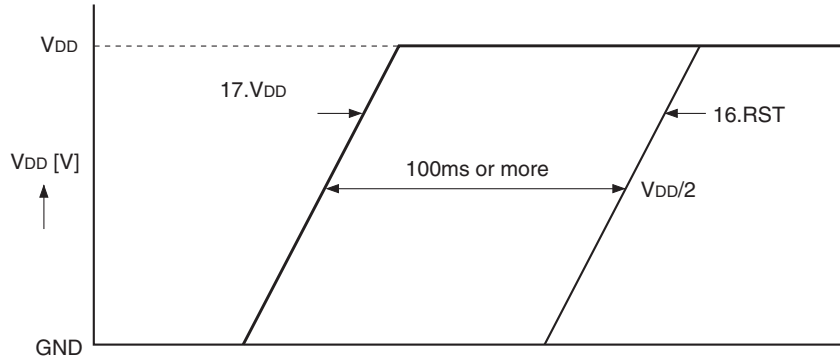
Timing of Output Signal



Initialization

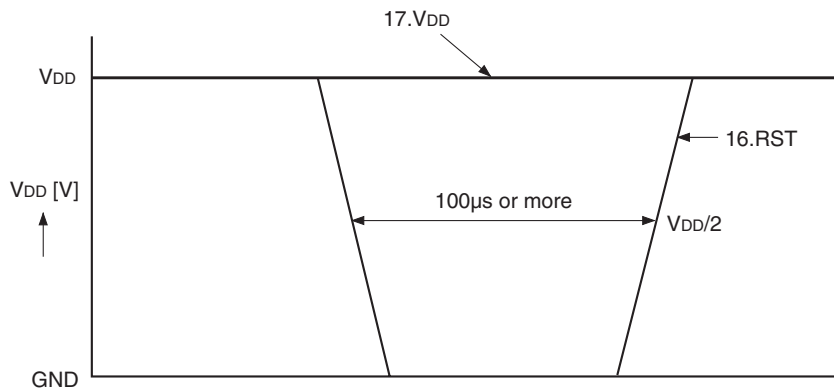
The GXB5005 has a reset pin (Pin 16) and normally this pin should be left open. The GXB5005 can perform the power-on reset operation only by turning on or off the power supply pin (Pin 17). In addition, when configuring the component in order to realize the reset from the system side during operation, connect the reset pin to the external circuit. The following setting enables the reset.

1. When turning the power on (Power-on reset)



When applying the power supply to the power supply pin (Pin 17), set the reset pin (Pin 16) Low in advance, and set it High 100ms after power-on.

2. Initialization during operation



When performing the reset while the reset pin (Pin 16) is High, keep it Low for 100µs or more before setting High.

Status Out

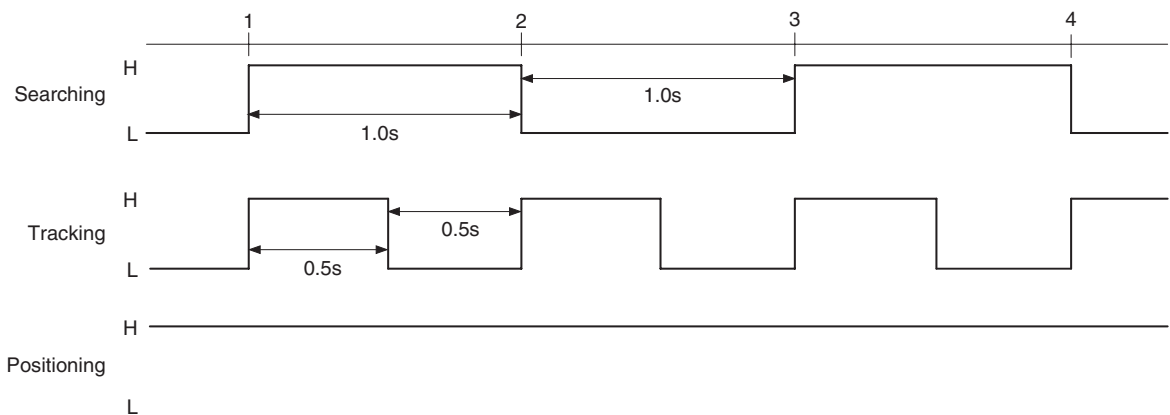
“Status Out” signal turns over

1. Definition of internal status

- ◆ Searching: Searching satellites after initialization
- ◆ Tracking: Navigation message decoded at least one satellite
- ◆ Positioning: Position fixing

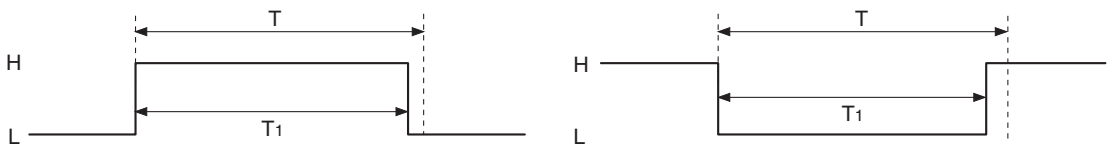
2. “Status Out” status by each internal status

- ◆ Reset: Input, pulled down internally
- ◆ Initialization: Output Low
- ◆ Searching: Output 1s High, 1s Low turn over
- ◆ Tracking: Output 0.5s High, 0.5s Low turn over
- ◆ Positioning: Output High (keeping)



3. Jitter

Turns over regular pulse width $\pm 5\%$ max.
 $|T - T_1| / T \leq 5\%$

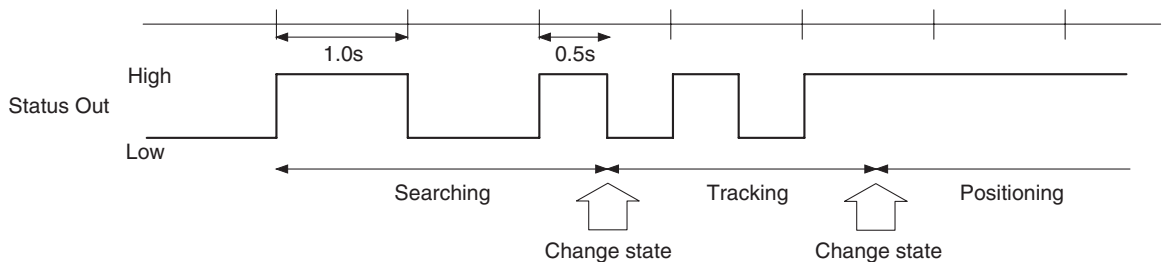


T: Regular pulse width (1s/0.5s)
 T1: Actual pulse width

4. Status transition

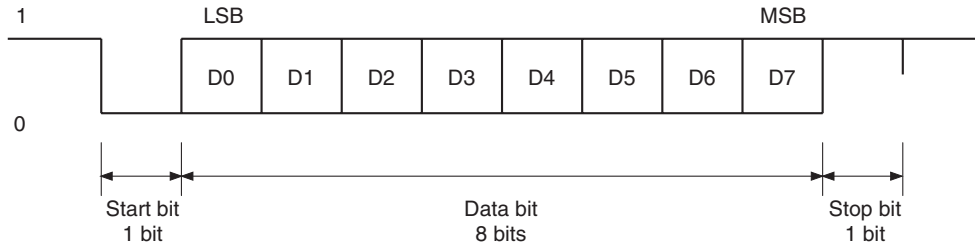
Check internal status every 0.5s, only the status changes, “Status Out” output logic turns over and keeps specified High-Low output interval.

Only status changes to positioning, “Status Out” output turns over High caused by the previous status.



UART Interface

Interface: Asynchronous serial interface (UART)
 Baud rate: 4800bps/9600bps/19200bps/38400bps
 Start bit: 1 bit
 Data bit: 8 bits
 Stop bit: 1 bit
 Parity bit: None
 Flow control: Xon/Xoff
 Data output cycle: Approximately 1 second (default)

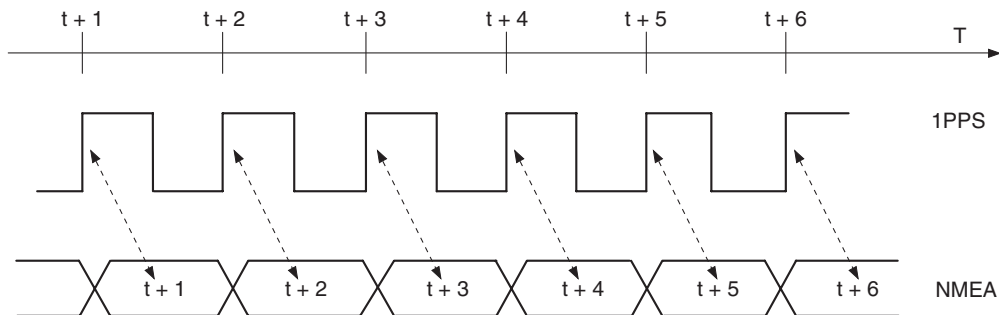


NMEA0183 Format

The GXB5005 can output 8 different types of sentence: GPGGA, GPGLL, GPGSA, GPGSV, GPRMC, GPVTG, GPZDA and PSGSA. If 9600bps, 19200bps or 38400bps baud rate is set for port setting, it outputs 7 types of sentence: GPGGA, GPGSA, GPGSV, GPRMC, GPVTG, GPZDA and PSGSA as default. Moreover, if 4800bps baud rate is set, it outputs 4 types of sentences: GPGGA, GPGSA, GPGSV and GPRMC as default.

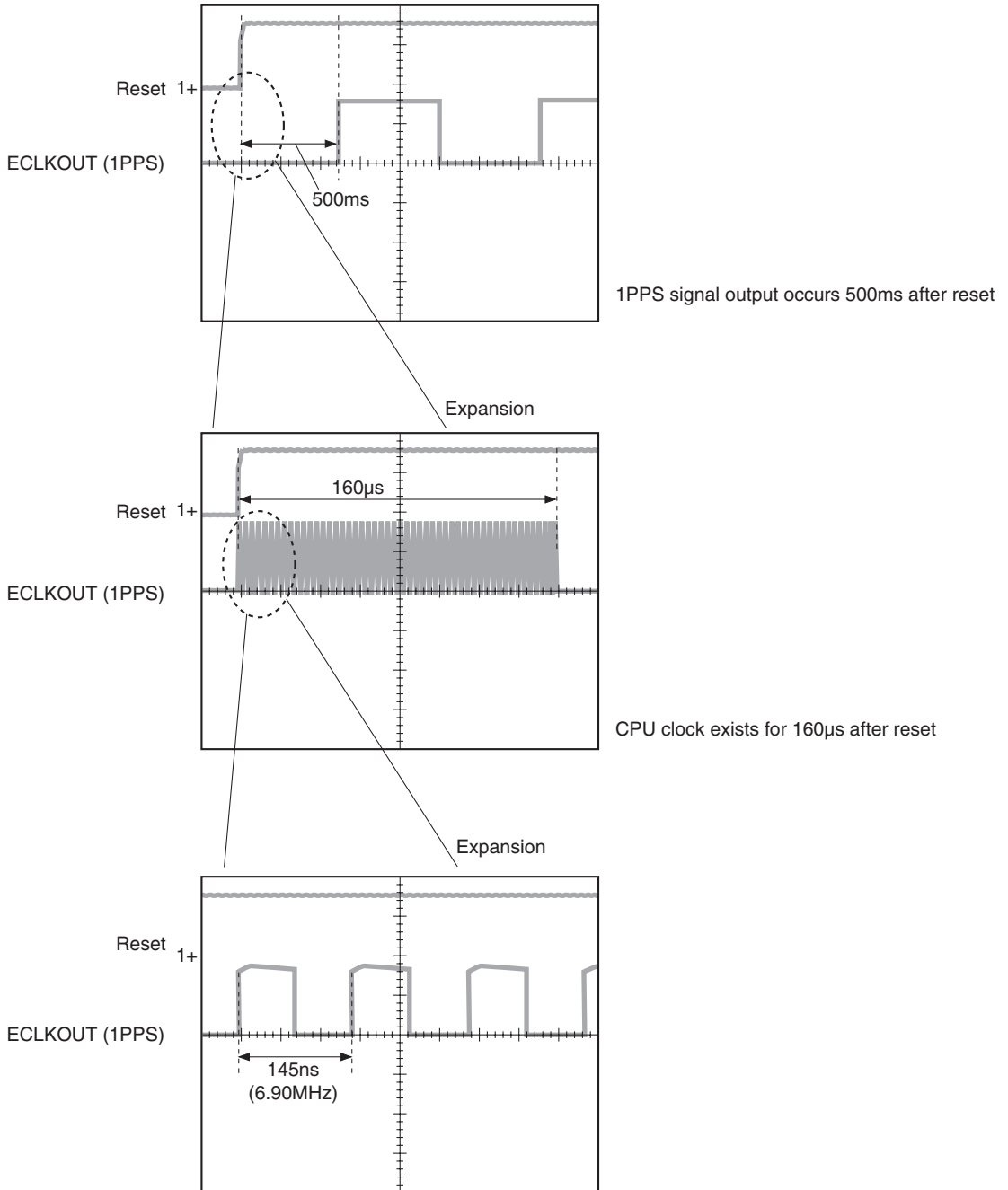
NMEA Message Output Timing

NMEA messages are output within 1s after the 1PPS pulse.



1PPS Output

The 1PPS output provides a timing pulse synchronized to GPS time once a valid fix is available. The figure below shows the behavior of the 1PPS output signal after reset. For a period of 160μs after reset, the 1PPS signal outputs the system clock. The actual 1PPS signal is activated at 500ms after reset.



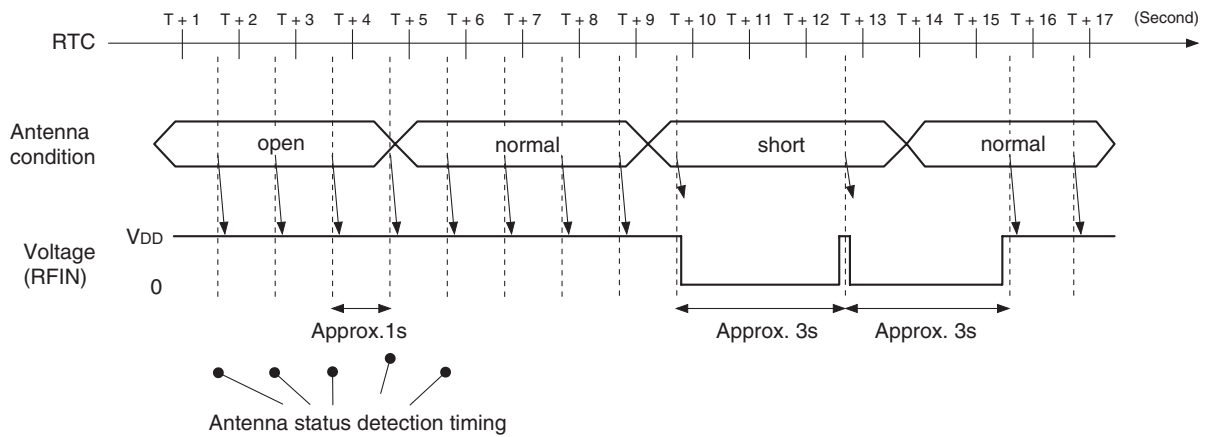
Backup Mode

The backup mode is established by setting all inputs Low except for B.U. (Vbat: 2.6 to 3.0V). In this mode, the low power consumption can be achieved by stopping all oscillators except for RTC oscillator. Although all registers are initialized, the SRAM for both of Ephemeris data and Almanac data in backup area are held.

Antenna Sense (Option)

The antenna sensing function detects three kinds of external active antenna connection conditions, open/normal/short, by using A/D converter incorporated into the CXD2951.

The @ANT command shows the previous antenna sensing result and users would know the three kinds of conditions. For details, see the CXD2951 Communication Command Specifications.



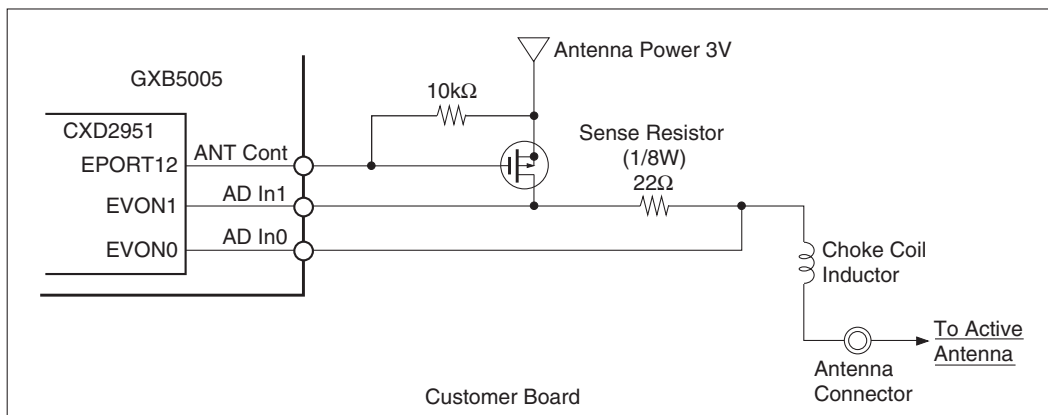
Threshold Levels

The threshold current I_r is as follows when $V_{DD} = 3.3V$.

- ◆ open: $I_r < 3.6mA$
- ◆ normal: $3.7mA \leq I_r \leq 44.0mA$
- ◆ short: $44.0mA < I_r$

Reference Circuit

The antenna sense circuit is available by putting a few components on the customer board. Refer to the following diagram.

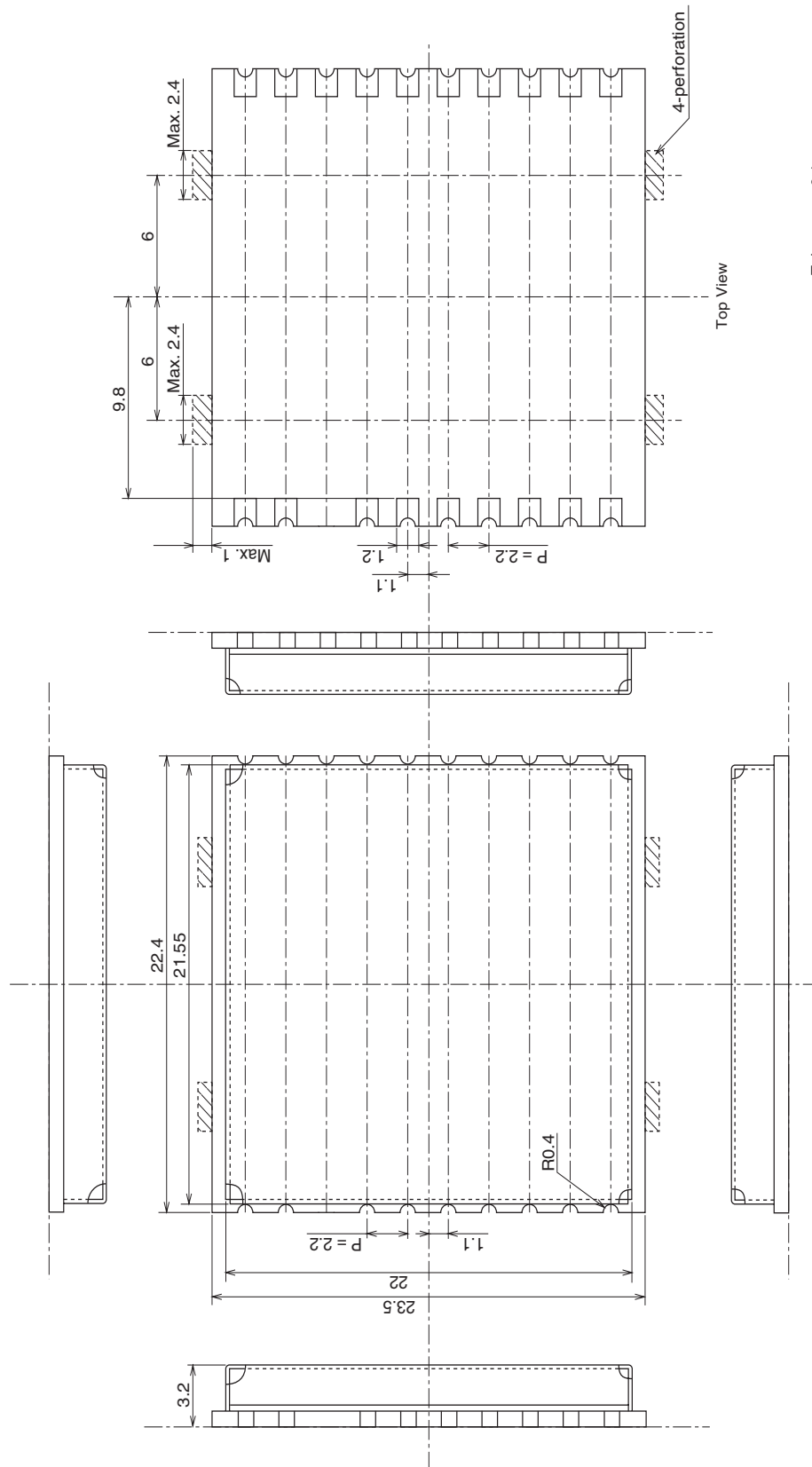


Command Specifications

The GXB5005 modules have a command format, NMEA-0183 version 3.01. A list of the supported UART interface is as follows. For detailed descriptions, see the CXD2951 Communication Command Specification document.

Mechanical Dimensions

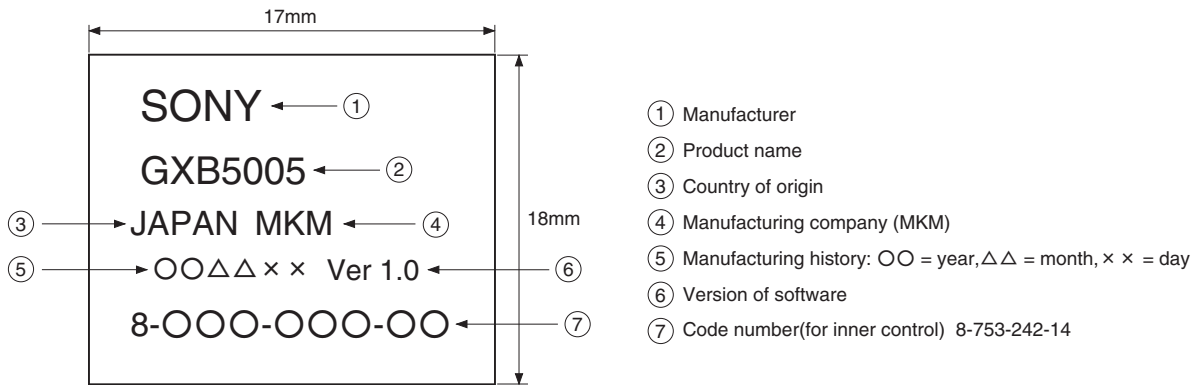
(Unit: mm)



Tolerance: ±0.1

Label Printing

The following label containing these items is put on a module after inspections.
 (The details of printing contents are specified separately.)



Tray

(Unit: mm)

