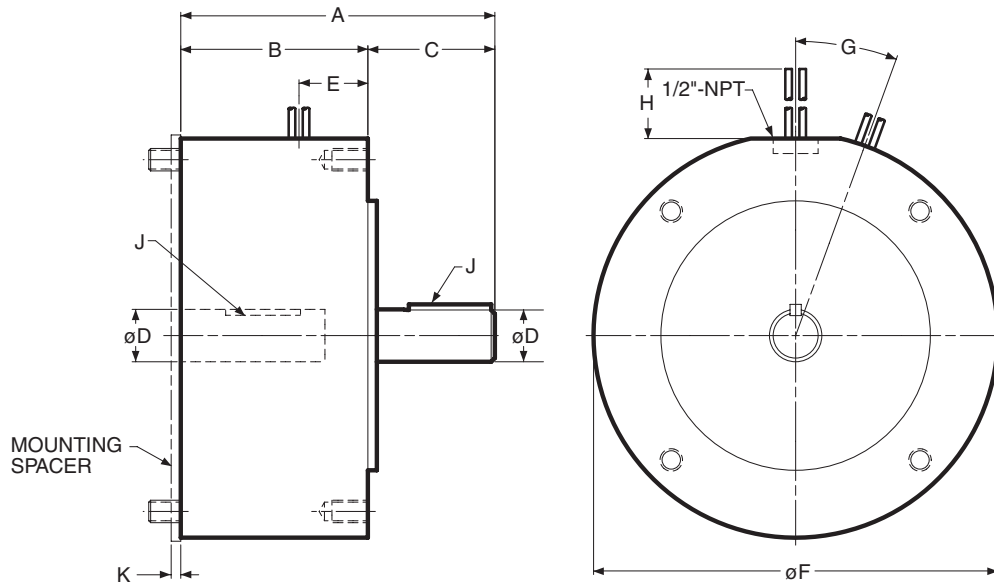


Electrically Released Brakes | EM-FBB Series

EM-20 FBB Brake Module



Dimensions (Blue shaded areas indicate GEN 2 design)

Size	A	B	C	D	E	F	G	H	J
50	5.165	3.125	2.040	.625	1.150	6.750	0°	36	3/16 x 3/16
100	5.186	3.125	2.061	.625	1.150	6.750	0°	36	3/16 x 3/16
180	5.246	3.125	2.121	.875	1.150	6.750	0°	36	3/16 x 3/16
210	7.578	4.609	2.500	1.125	1.812	9.250	20°	36	1/4 x 1/4
215	8.078	4.609	3.000	1.375	1.812	9.250	20°	36	5/16 x 5/16

For standard NEMA frame dimensions, see page 64.

Only 50, 100, and 180 sizes of the models listed will be converted to the new GEN 2 design. 210 and 215 sizes will continue to be offered in the original design and will not be converted.