

# HD-SDI-BOX

High-Definition Serial Digital Interface, long distance signal transmission box (Master/ Slave) up to 100M, video input format 720p/1080i

**New**

## HD-SDI-BOX-M-R10



## HD-SDI-BOX-S-R10



### Long Distance and High Quality BOX

The HD-SDI-BOX kit, combining the HD-SDI-BOX-M (Master) and the HD-SDI-BOX-S (Slave), provides a high-definition serial digital interface (SDI) for long distance signal transmission.

With the HD-SDI-BOX kit, the HDMI or VGA video signal can be transmitted directly through a 100 m coaxial cable without compression. The HD-SDI-BOX kit also supports touch-screen remote control. The touch-screen remote control is linked through the RJ-45 Cat5 cable and RS-232 cable.



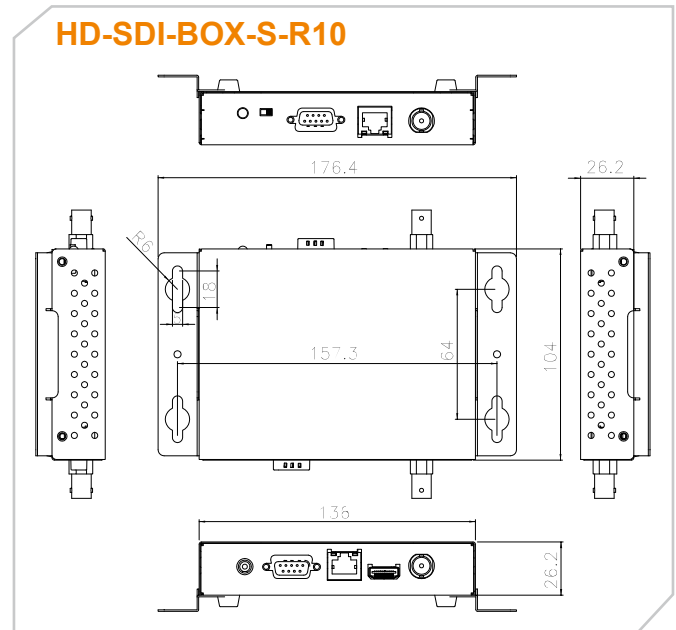
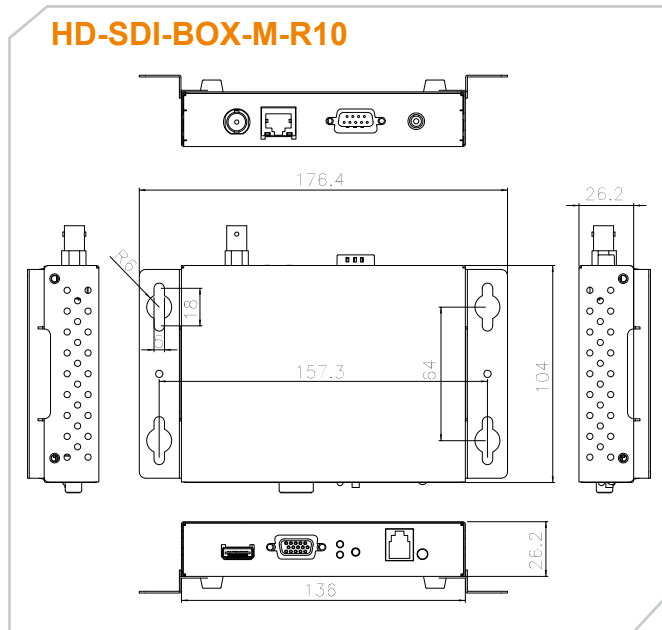
## Features

- High-definition serial digital interface (HD-SDI) transmission box support 720p 1080i video resolution
- Long distance signal transmission up to 100M, add additional HD-SDI-BOX-S to extend the transmission distance
- HD-SDI-BOX-M convert VGA /HDMI to HD-SDI
- HD-SDI-BOX-S convert HD-SDI to HDMI
- Remote touch control link
- Uncompressed transmission
- Applications: Broadcasting, Video transportation

## Specifications

Model Name	HD-SDI-BOX-M-R10	HD-SDI-BOX-S-R10
Input	1 x HDMI (No support HDCP), 1 x VGA	1 x HD-SDI
Output	1 x HD-SDI	1 x HD-SDI Loop Through, 1 x HDMI
I/O Panel	Front: 1 x HDMI 1 x VGA IN 2 x LED (HDMI, VGA)	Front: 1 x HD-SDI IN 1 x RJ-45 Control In for remote touch link 1 x RS-232
	Rear: 1 x HD-SDI OUT 1 x RJ-45 Control Out for remote touch link	Rear: 1 x HD-SDI Loop Through 1 x HDMI Out 1 x Control Out
Supported Mode	Input Video mode: 720p (1280 x 720 @ 50/ 60Hz) 1080i (1920 x 1080 @ 50/ 60Hz)	Output Video mode: 720p (1280 x 720 @ 50/ 60Hz) 1080i (1920 x 1080 @ 50/ 60Hz)
	PC mode: 1280 x 720 @ 50Hz/ 60Hz 1920 x 1080 @ 50/ 60Hz	PC mode: 1280 x 720 @ 50Hz/ 60Hz 1920 x 1080 @ 50/ 60Hz
Datarate	1.5Gb/s	1.5Gb/s
Power	Power Supply: 5V, 5A Power Consumption: 5W	Power Supply: 5V, 5A Power Consumption: 4W
Dimensions	136 mm x 103 mm x 32 mm	136 mm x 103 mm x 32 mm
Power Adapter	Input: 90VAC to 264VAC/47Hz to 63Hz Output: 5V DC	Input: 90VAC to 264VAC/47Hz to 63Hz Output: 5V DC

Dimensions (Unit: mm)



I/O Interface

HD-SDI-BOX-M-R10



HD-SDI-BOX-S-R10



Packing List

1 x HD-SDI-BOX set (Including Master and Slave box)	
2 x EU power cord for master and slave box	
2 x 5V adaptor for master and slave box	
4 x Wall mounting bracket	
8 x Screw	1 x User manual

Ordering Information

Part No.	Description
HD-SDI-BOX-R10	High-Definition Serial Digital Interface, Long distance signal transmission box (Master/ Slave) up to 100M, video input format 720p/1080i
HD-SDI-BOX-M-R10	High-Definition Serial Digital Interface, Long distance signal transmission Master box up to 100M
HD-SDI-BOX-S-R10	High-Definition Serial Digital Interface, Long distance signal transmission Slave box up to 100M