

AMiS-60

Advantech Computerized Nursing Cart

NEW



CE FCC

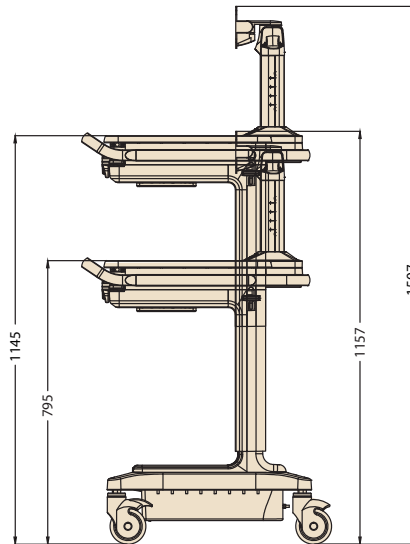
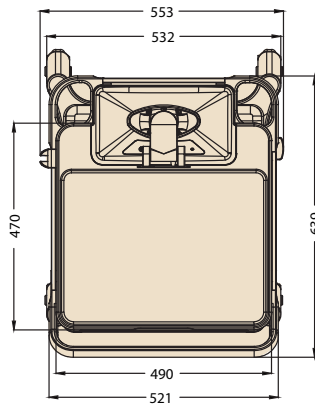
Features

- Highly-integrated computerized medical cart for mobile health care solutions
- Highly expandable for additional medication and storage box
- Ergonomic design for ease of use, cleaning and moving
- Great flexibility for customization / configuration / integration
- Designed for safety / reliability / easy maintenance
- Elegant and tidy design/easily adjustable table height
- Long battery life, easy to manage

Specifications

Embedded Computing System	CPU	Intel Atom D510 1.66 GHz	Intel Atom D525 1.8 GHz	Intel Core i7 Sandy Bridge 1.5 GHz
	Memory	2 GB DDR2 SODIMM max.	2 GB DDR3 SODIMM max.4G	2 GB DDR3 SODIMM max.16G
	Storage	2.5" SATA HDD 160 GB 2.5" SSD 16/32/64 GB (Optional)	2.5" SATA HDD 160 GB 2.5" SSD 16/32/64 GB (Optional)	2.5" SATA HDD 160 GB 2.5" SSD 16/32/64 GB (Optional)
	WLAN	802.11a/b/g/n	802.11a/b/g/n	802.11a/b/g/n
Box PC I/O Ports	VGA x 1 (2048 x 1536 @ 60Hz) Ethernet x 2 USB x 4 (USB 2.0) Audio x 3 (MIC-in, Line-out, Line-in) RS232 x 3 (2 of RS-232, 1 of RS-232/422/485) DC Jack x 1	VGA x 1 (2048 x 1536 @ 60Hz) DVI x 1 (1600 x 1200 @ 60Hz) Ethernet x 2 (10/100/1000Mbps) USB x 4 (USB 2.0) Audio x 3 (MIC-in, Line-out, Line-in) RS232 x 2 (1 of RS-232, 1 of RS-232/422/485) DC Jack x 1	DVI x 1 (1366 x 768, WXGA) Ethernet x 2 (Isolated, 10/100/1000Mbps) USB x 3 (USB 2.0) Audio x 1 (line-out) RS232 x 2 DC Jack x 1 (4 pin)	
	Operating System (Optional)	Supports Microsoft XP Professional, XP Embedded, Vista, Windows 7	Support Microsoft XP Professional, Windows 7	
Base Cart	Footprint	20.5" x 24.7" (520.7 x 627.3 mm)		
	Casters	Medical casters, two front locking, two non-locking		
	Height Adjustment Range	31.3" ~ 45.1" (795 ~ 1145 mm)		
	Display Holder	Standard VESA Mount (VESA 75/75; VESA 100/100)		
	I/O Ports	USB 2.0 ports x 4 Gigabit Ethernet interface (RJ-45) x 1		
	Dashboard	Computer Power Button LED for Battery Capacity Indication		
	Work Surface	18.5" x 19.3" (469.9 x 489.9 mm) Weight Capacity: (based on std. 400N) Gas Spring: Up to 17.6 lb/8 kg		
	Cart Weight	121 lb / 55 kg w/o display, computer and power module		
	Keyboard & Mouse Area	Keyboard Size: Up to 380 x 140 x 25 mm Keyboard LED Light Mouse Tray		
Accessory Extend Used	Neck: Dove Tail Work Surface: DIN Rail (Right, Left and Rear)			
Power Module	Capacity	400 Wh	420Wh	210W_*Ready on Q4
	Power Input	90 V ~ 264 V, 47 ~ 63 Hz AC Input	100 ~ 240 V _{ac} , 50 ~ 60 H, Max 4.5A	100 ~ 240 V _{ac} , 50 ~ 60 H, Max 4.5A
	Battery Type	LiFePO4 (Lithium-Iron Phosphate; LFP)	Lithium-Iron Phosphate	Lithium-Iron Phosphate
	Battery Charge Time	> 6 Hours	< 3hr. DOD 100%	< 1.5hr. DOD 100%
	Battery Runtime (Depends on system configuration)	3~6 Hours	8 ~ 10 Hours	4 ~ 5 Hours
	Certifications	EN60601-1, UL60601-1, CE, FCC Class B, Medical CB	EN60601-1, UL60601-1, CE, FCC Class B, Medical CB	CE, FCC Class B, ITE CB
Battery Management Software	AMiS_Link	Battery capacity indicator Alert (Battery capacity, temperature) Battery Lifecycle Statistics Report & Log File Client Installation Server Installation (Optional) Multi-language support, including Chinese Traditional, Chinese Simplified, English, German and Dutch		
Display (Optional)	Size	17"	19"	
	Type	LCD	LCD	
	Resolution	1280 x 1024	1280 x 1024	
	Touchscreen	Analog Resistive Type (Optional)	Analog Resistive Type (Optional)	

Dimensions



Unit: mm

Display Holder I/O



Gigabit LAN x1



USB 2.0 x 4

AMIS_Link

Battery status

Battery capacity

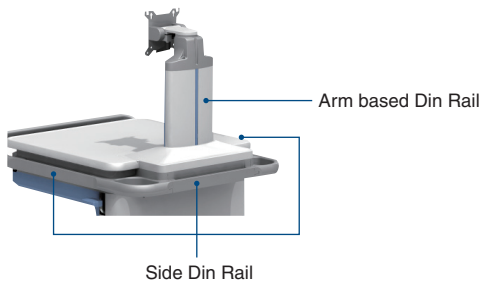
Alert condition

Battery capacity

Battery temperature

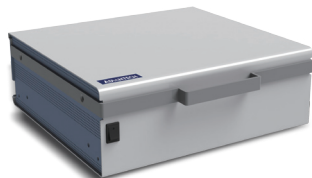
Din Rail

For accessory and device integration



Battery

iPS-400 LiFePO4 Battery



Ordering Information

Basic Cart		Included Items		
Part Number	Embedded Computer	Gas Spring	Battery Power	Power Cable
AMIS-60-B43-B1BE	Atom D510	400N	400W	1.8M (USA)
AMIS-60-B40-D1BE	Atom D510	400N	420W	1.8M (USA)
AMIS-60-C40-D2BE	Atom D525	400N	420W	1.8M (USA)
AMIS-60-E40-D2BE	Intel Core i7	400N	420W	1.8M (USA)

Standalone Computer

Part Number	CPU	Memory	Storage
AMIS-60-PCA-D0-AE	Intel Atom D525 1.8 GHz	2GB	2.5" 250 GB HDD
AMIS-60-PC7-D0-AE	Intel Core i7 Sandy Bridge 1.5 GHz	2GB	2.5" 250 GB HDD

Optional Accessories

Part Number	Description
PDC-190A-DC-BE	19" Medical Display
PDC-190A-DC-BTE	19" Medical Display with Res. Touch Screen
PDC-170A-DC-BE	17" Medical Display
PDC-170A-DC-BTE	17" Medical Display with Res. Touch Screen
1700018927	Medical Power Cable (USA) 1.8M (Length)
1700018929	Medical Power (Europe) 1.8M (Length)
1700019158	Medical Power(UK) 2.1M (Length)
1700019157	Medical Power(CCC) 2.1M (Length)