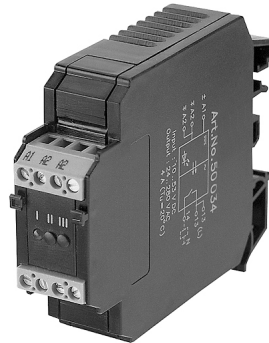


AMS 10-43/5 Opto-coupler module N: 53 VDC - OUT: 53 VDC / 4 A

Transistor, switched positive 4 A
24 V DC

Image

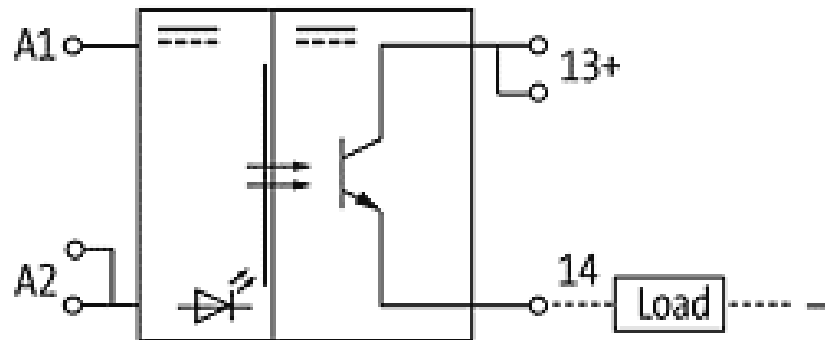
Vicarious picture

Input	
LED display	LED (red)
Voltage range ON	10...53 V DC
Voltage range OFF	0...3 V DC
Operating current	10 mA
Output	
Switching current	100 mA...4 A
Switching voltage	4.5...53 V DC
Saturation voltage (across output)	max. 1.5 V AC
Leakage current (when output is open)	max. 10 mA
Switching time ON/OFF	8/14 µs
Switching frequency	max. 2 kHz/4 Hz (resist./ind.)
General data	
Test isolation voltage	3.75 kV
Temperature range	-20...+60 °C
Housing	Plastic black, flame retardant
Mounting method	DIN-rail mountable TH35 or G32 (EN 60715)
Dimensions H × W × D	75 x 22.5 x 102 mm
Commercial data	
Net weight	100
Weight unit	gram
Basic unit	pc.
Customs tariff number	85414090
Unit (piece)	1
Limited value	1
Comments	
Control voltage 230 V AC on request	

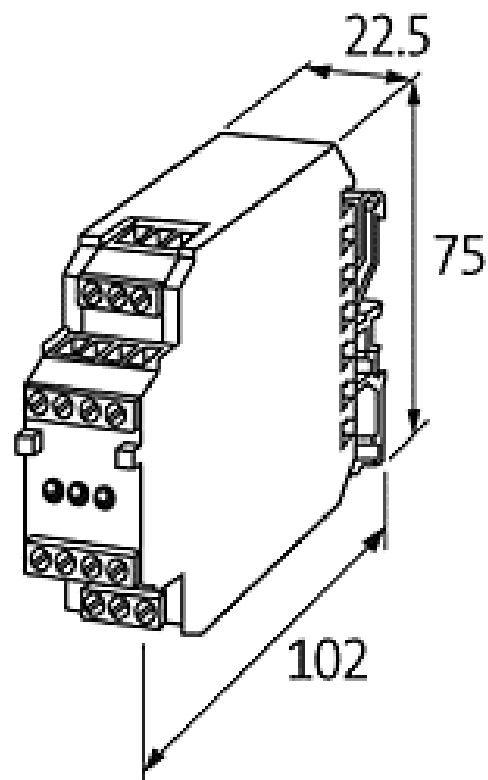
All data on this data sheet was compiled carefully.

Liability regarding correctness, completeness, and actuality is limited to gross negligence. Created: 10/12

Circuit diagram



Dimension drawing



De-rating curve

