

Tower Top Amplifier/Receiver Multicoupler

Product Description

RFS's QuikWave SMR Tower-top amplifier/receiver multicoupler system is ideal to improve receiver system selectivity and sensitivity in SMR base station sites. Its optional filter kits optimize site performance and reduce interference.



Quickwave Series TTA

Features/Benefits

- **Quadrature amplifier design** – Gives high reliability and minimal degradation on failure
- **Improved system noise figure and sensitivity** – Provides wider coverage
- **Universal AC-DC Power supply** – Ordering and installation simplified
- **Built-in test port** – Allows for rapid on-site troubleshooting/testing.
- **Optional filter kit** – Optimizes site performance minimizing interference

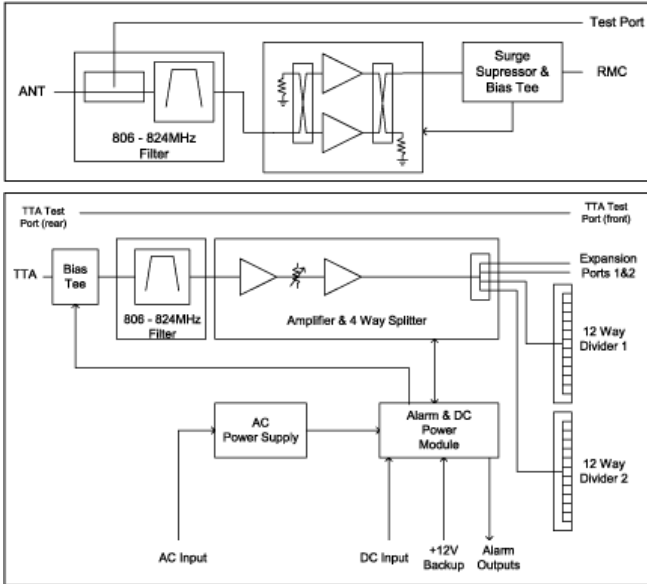
Technical Specifications

Frequency Band	806 MHz - 824 MHz
Product Type	Tower Top Amplifier/Receiver Multicoupler
Separate Tower Top Amplifier?	Yes
Application	Trunking, SMR
Frequency Range, MHz	806-824
Number of Outputs	24
Power Supply Voltage	+/-20 to +/-75VDC/85-265VAC
Expandable?	Yes
Bandwidth, MHz	18
Isolation between Rx Ports, dB	25 (typ.); 20 (min.)
System Noise Figure, dB	2.0 without cable loss
TTA I/P IP3,dBm	14.5
Base Amplifier I/P IP3, dBm	28.5
Tower Amplifier Gain, dB	21 +/- 0.5 (Ant to RMC)
Base Amplifier Gain, dB	3 (Ant. Port to 12 way divider o/p)
Connector - Antenna Input	N-Female
Connector - Receiver Outputs	BNC-Female
Power Required	+/-20 to +/-75VDC/85-265VAC
Power Consumption, Maximum, Watts	25
Tower Box Height, mm (in)	236 (8.9)
Base Tray Height, mm (in)	44.5 (1.75)
Tower Box Width, mm (in)	132 (5.2)
Base Tray Width, mm (in)	483 (19)
Tower Box Depth, mm (in)	69 (2.7)
Base Tray Depth, mm (in)	381 (15)
Tower Box: Mounts in 19" (483mm) EIA Rack (Yes/No)	No
Base Tray: Mounts in 19" (483mm) EIA Rack (Yes/No)	Yes
Weight, kg (lb)	8+12(18+26)
Replacement Ampl	None
Replacement Power Supplies	None
Expansion Kit	RMC8024EXP
Exp Kit Capability	Yes

Notes**Other Documentation**



Tower Top Amplifier/Receiver Multicoupler



Block Diagrams

All information contained in the present datasheet is subject to confirmation at time of ordering