

**Intel® Pentium® 4 Processor
(775-land LGA Package)
CPU Cooler**

SAN ACE MC



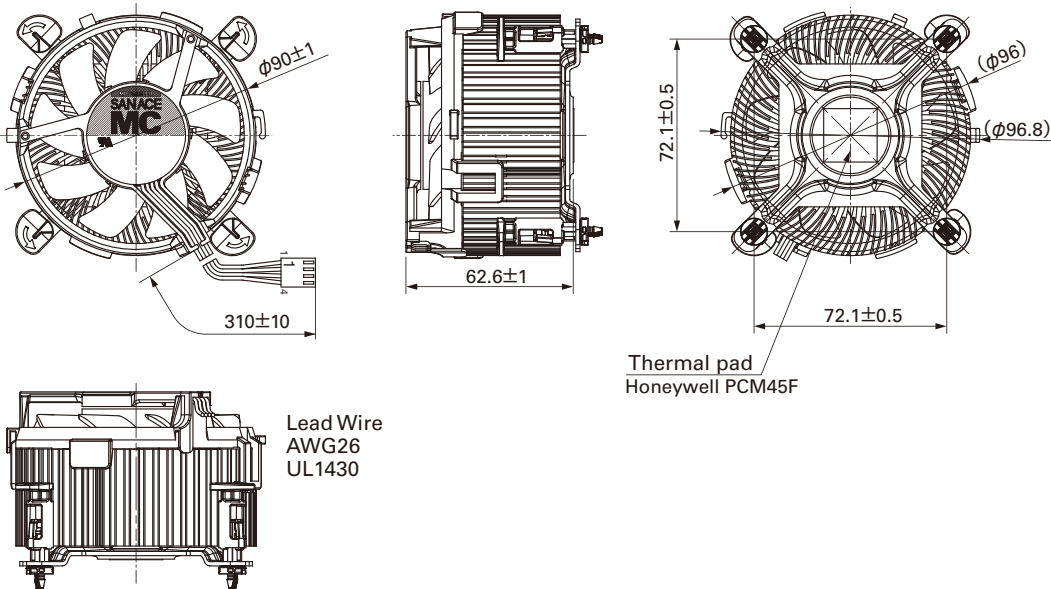
General Specifications

- Material Frame: Plastics (Flammability: UL94V-0),
Impeller: Plastics (Flammability: UL94V-1) Heatsink: Aluminum (Core: Copper)
- Lead Wire ⊕yellow (Connector No.2 side) ⊖black (Connector No.1 side)
Sensor green (Connector No.3 side)
Control blue (Connector No.4 side)
- Connector..... Molex P/N 47054-1000 or Wison 2510C888-001
- Contact Molex P/N 5159PBT or Equivalent or Wison 2511-T1
- Mass 490g

Specifications

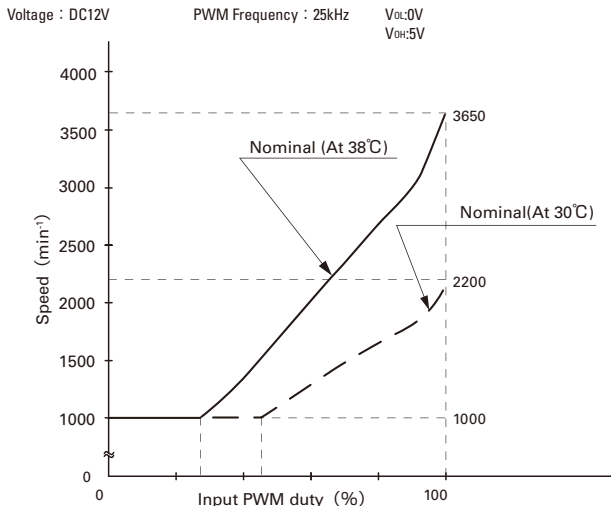
Model No.	Rated Voltage [V]	Operating Voltage Range [V]	Rated Current [A]	Rated Speed [min ⁻¹]	θ c-a Thermal Resistance [K/W]	SPL [dB(A)]	Operating Temperature [°C]	Life Expectancy [h]
109X9212PT0H016	12	10.8 to 13.2	0.28	3,650	0.276	42	0 to +70	40,000
				2,200	0.340	28		

Dimensions (Unit : mm)



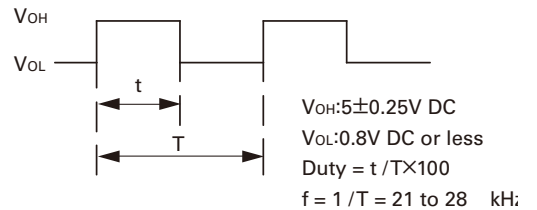
Fan speed characteristics

Control input PWM duty - Fan speed characteristics



PWM Waveform of control input

(PWM signal input : between blue lead wire and black lead wire)



Control input Current

I SOURCE MAX.:5 mA (AT 0V CONTROL VOLTAGE)
I SINK MAX.:5 mA (AT 5V CONTROL VOLTAGE)