

**PLEASE CHECK WWW.MOLEX.COM FOR LATEST PART INFORMATION**

**Part Number:** [42815-0032](#)  
**Status:** **Active**  
**Overview:** [Mini-Fit Sr.™](#)  
**Description:** Mini-Fit Sr.™ Crimp Terminal, Female, 8 AWG Gold (Au)

**Documents:**

[Drawing \(PDF\)](#) [Test Summary TS-42815-001 \(PDF\)](#)  
[Product Specification PS-42815-001 \(PDF\)](#) [RoHS Certificate of Compliance \(PDF\)](#)  
[Application Specification AS-42815-001 \(PDF\)](#)

**General**

Product Family	Crimp Terminals
Series	<a href="#">42815</a>
Application	Power
Comments	High Current/Low Force
Crimp Quality Equipment	Yes
Overview	<a href="#">Mini-Fit Sr.™</a>
Product Name	Mini-Fit Sr.™

**Physical**

Gender	Female
Material - Metal	High Performance Alloy (HPA)
Material - Plating Mating	Gold
Material - Plating Termination	Tin
Packaging Type	Reel
Plating min - Mating	0.762µm
Plating min - Termination	2.540µm
Termination Interface: Style	Crimp or Compression
Wire Insulation Diameter	6.60mm max.
Wire Size AWG	12+12, 8
Wire Size mm²	N/A

**Electrical**

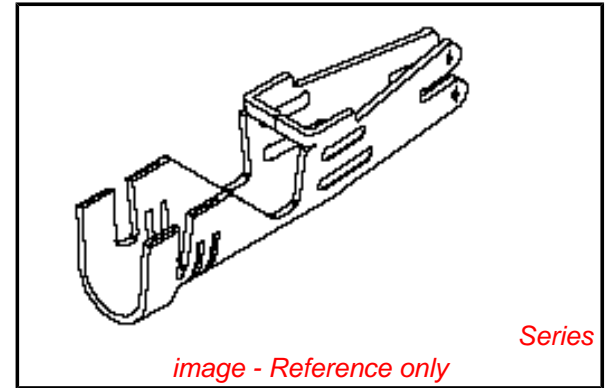
Current - Maximum per Contact	50A
-------------------------------	-----

**Material Info**

UPC	800756101101
-----	--------------

**Reference - Drawing Numbers**

Application Specification	AS-42815-001
Product Specification	PS-42815-001, RPS-42815-001, RPS-42815-011, RPS-42815-012, RPS-42815-013, RPS-42815-014, RPS-42815-015
Sales Drawing	SD-42815-*
Test Summary	TS-42815-001



**EU RoHS**

**ELV and RoHS  
Compliant**  
**REACH SVHC  
Contains SVHC: No  
Low-Halogen Status  
Not Reviewed**

**China RoHS**



**Need more information on product  
environmental compliance?**

Email [productcompliance@molex.com](mailto:productcompliance@molex.com)  
For a multiple part number RoHS Certificate of  
Compliance, [click here](#)

Please visit the [Contact Us](#) section for any  
non-product compliance questions.

**Search Parts in this Series**

42815Series

**Application Tooling | FAQ**

*Tooling specifications and manuals are  
found by selecting the products below.  
Crimp Height Specifications are then  
contained in the Application Tooling  
Specification document.*

**Global**

Description	Product #
Mini-Mac™ Applicator	<a href="#">0638911000</a>
Mini-Mac™ Applicator for Terminals	<a href="#">0638919500</a>
Hand Crimper - SPECIAL INSULATION CRIMP	<a href="#">0638111500</a>
Manual Extraction Tool	<a href="#">0638130400</a>

**Japan**

Description	Product #
-------------	-----------

Side-Feed Applicator 0573983200  
For Full-Auto  
Machine

This document was generated on 06/25/2012

**PLEASE CHECK [WWW.MOLEX.COM](http://WWW.MOLEX.COM) FOR LATEST PART INFORMATION**