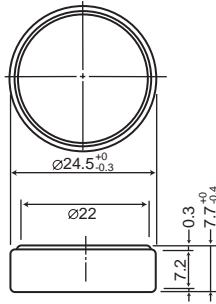


High Operating Temperature Poly-carbonmonofluoride Lithium Coin Batteries (BR "A" Series): Individual Specifications

BR2477A

■ Dimensions(mm)

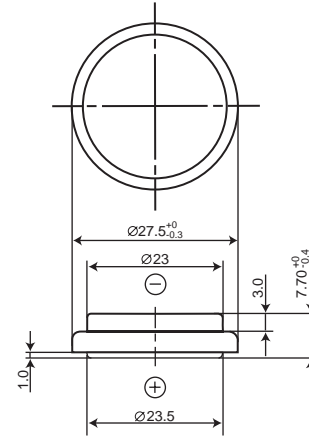


Weight: 8.0g

Note: This bare cell diagram is for size reference only. Please refer to the tab configurations at the end of this section for available tabs.

BR2777A*

■ Dimensions(mm)



Weight: 8.0g

Note: This bare cell diagram is for size reference only. Please refer to the tab configurations at the end of this section for available tabs.

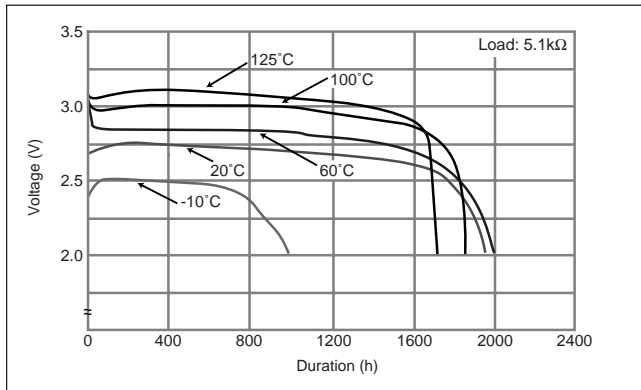
■ Specification

Nominal voltage (V)	3
Nominal capacity (mAh)	1,000
Continuous standard load (mA)	0.03
Operating temperature (C)	-40 ~ +125

■ Specification

Nominal voltage (V)	3
Nominal capacity (mAh)	1000
Continuous standard load (mA)	0.03
Operating temperature (C)	-40 ~ +125

■ Temperature Characteristics



* Please contact Panasonic for the latest information on this product.