

FPM-38

Industrial 15" Flat Panel Monitor



Features

- Heavy duty stainless steel chassis with aluminum front panel
- 15" XGA TFT LCD provides vivid, sharp and large images
- Strengthened glass protects the front panel from shock damage
- Radiation free with a large viewing area, makes an excellent HMI system
- Front panel is NEMA4 (IP65) compliant
- PanelLink technology for digital signal transmitting

Introduction

The FPM-38 is a 15" color TFT LCD flat panel monitor built specifically for industrial applications. Its small size and light weight make it ideal for industrial usage. With the optional touchscreen, the FPM-38 is an excellent and user-friendly system control interface.

The FPM-38 series comes with a dedicated PCI-bus video display card (PCA-6654B) and uses "PanelLink" technology. This combination allows for EMI-shielded data transfers at distances up to 10 m. The monitor is equipped with brightness control to increase the LCD's life span, and the screen itself is protected by shock resistant glass. The chassis is constructed with an anodized aluminum front panel and stainless steel backcase. This combination ensures a sturdy and corrosion resistant monitor, and is NEMA4/IP65 compliant.

Specification

- **Front panel:** Aluminum, meets NEMA4/IP65
- **Mounting:** Panel or wall mount
- **I/O port:** Keyboard connector
- **Control:** One brightness adjustment knob on back panel
- **Dimensions (W x H x D):** 402 x 302 x 50 mm (15.8" x 11.9" x 2")
- **Gross Weight:** 7.5 Kg (16.6 lbs)

Video Display Card (PCA-6654)

- **Type:** Half-size 32-bit PCI-bus
- **Video chip:** Chips 65550
- **DRAM:** On-board 2 MB, frame buffer 512 KB (optional)
- **Max. resolution:** 1024 x 768 for both flat panel and CRT
- **Connectors:** One MDR-26 connector for flat panel display and one DB-15 connector for CRT monitor
- **Simultaneous CRT/LCD display**
- **Power consumption:** +5 V @ 1 A, max.

Touchscreen (optional)

- **Type:** 8 wire, analog resistive
- **Resolution:** Continuous
- **Light transmission:** 72% (surface meets ASTM-D-3363-92A standard, Taber abrasion test)
- **Operating pressure:** 30 - 45 gram for finger, 10 gram for stylus pen, Contact bounce < 10 ms
- **Controller:** RS-232 interface
- **Durability:** 100 Million touch lifetime
- **OS support:** MS DOS, Windows 3.1, Windows 95, Windows 98, Windows NT, and IBM OS2

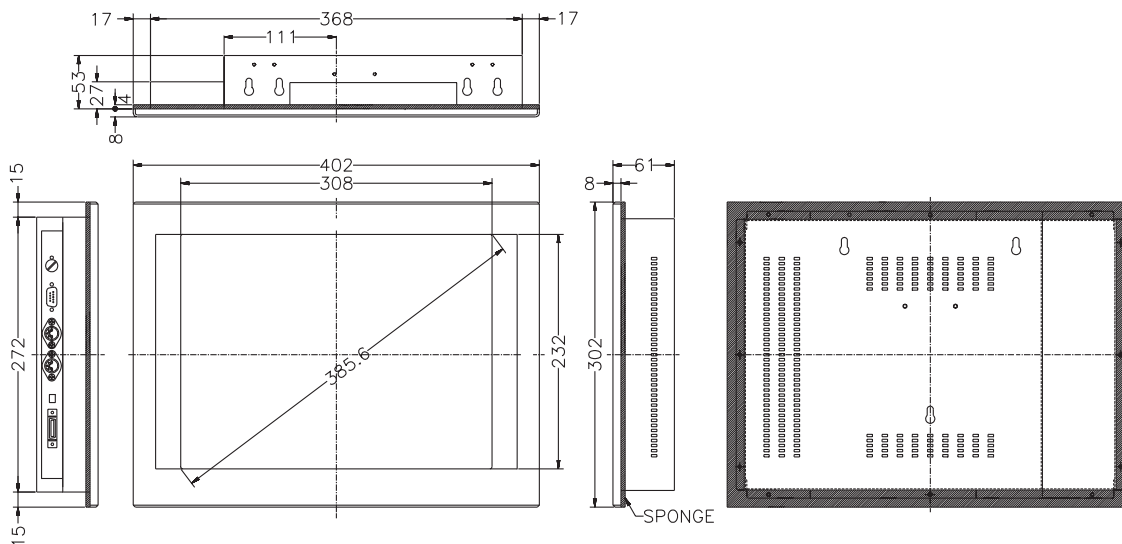
Specification

Size	15"
Display type	XGA TFT LCD
Resolution	1024 x 768
Dot pitch (mm)	0.29 (H) x 0.29 (V)
Viewing angle	110°
Signal Transmission	Digital (PanelLink)
Luminance	200 cd/m ²
VR controller	Brightness
Power consumption	+5V @ 1A Max
Operating temp	0 ~ 50° C
Storage temp	-20 ~ 60° C
LCD MTBF	50,000 Hrs
Backlight MTBF	25,000 Hrs

CE FCC

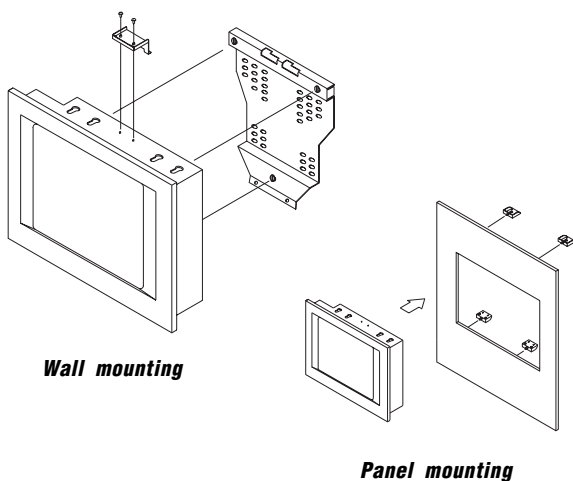
Dimensions

Unit: mm (inch)



**Cutout Dimensions: 373 mm x 273 mm
(16.68" x 10.75")**

Installation



Wall mounting

Panel mounting

Ordering Information

- FPM-38T**
15" TFT LCD, PCI VGA card and 1.8 m cable
- FPM-38T-T**
FPM-38T + touchscreen (RS-232 interface)

Accessories

- IPPC-950 Rack-MT**
Mounting kit for standard 19" industrial rack
- 1700263001**
3 m Panel Link cable for FPM-38
- 1700090002**
9P/9P, 3 m M/F RS-232 touchscreen cable for FPM-38T-T