

UC-7110/7112 Series

Mini RISC-based ready-to-run computer with 2 serial ports, dual LANs, SD



- > MOXA ART ARM9 32-bit 192 MHz processor
- > 16 or 32 MB RAM
- > 8 or 16 MB Flash ROM
- > Dual 10/100 Mbps Ethernet for network redundancy
- > 2 software-selectable RS-232/422/485 ports
- > 50 bps to 921.6 Kbps baudrate (non-standard baudrates supported)
- > SD socket for storage expansion
- > Built-in real-time clock (RTC) and buzzer
- > Pre-installed Linux Kernel 2.6 platform
- > -40 to 75°C wide temperature models available



15

Embedded Computers for Communication > UC-7110/7112 Series

Overview

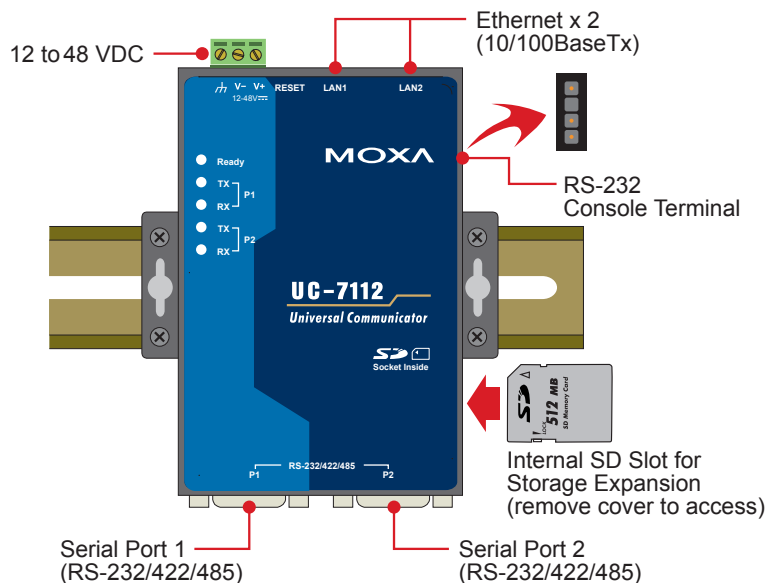
The UC-7110/UC-7112 mini RISC-based communication platforms are ideal for embedded applications. The computers come with 2 RS-232/422/485 serial ports and dual 10/100 Mbps Ethernet LAN ports to provide users with a versatile communication platform.

The UC-7110/UC-7112 use the ARM9 RISC CPU. Unlike the X86 CPU, which uses a CISC design, the ARM9's RISC design architecture and modern semiconductor technology provide the CPU with a powerful computing engine and communication functions, but without generating too much heat. The built-in 8 or 16 MB NOR Flash ROM and 16 or 32 MB SDRAM provide plenty of storage, and the SD socket on the UC-7112 provides the user with flexible storage expansion to run applications that generate a lot of data. The dual LAN ports built

into the ARM9 make the UC-7110/UC-7112 ideal communication platforms for some data acquisition and protocol conversion applications, and the 2 RS-232/422/485 serial ports allow you to connect a variety of serial devices.

The pre-installed µClinux operating system provides an open software operating system for software program development. This means that software written for desktop PCs can be easily ported to a UC-7110 or UC-7112 embedded computer with a GNU cross compiler, so that you will not need to spend time modifying existing software code. The operating system, device drivers, and your own software can all be stored in the UC-7110/7112's flash memory.

Appearance



Hardware Specifications

Computer

CPU: MOXA ART ARM9 32-bit RISC CPU, 192 MHz

OS (pre-installed): µClinux or Linux

DRAM:

UC-7110/UC-7112: 16 MB

UC-7112 Plus: 32 MB onboard

Flash:

UC-7110/UC-7112: 8 MB onboard

UC-7112 Plus: 16 MB onboard

Storage

Storage Expansion: SD slot (UC-7112 and UC-7112 Plus only)

Ethernet Interface

LAN: 2 auto-sensing 10/100 Mbps ports (RJ45)

Magnetic Isolation Protection: 1.5 KV built-in

Serial Interface

Serial Standards: 2 RS-232/422/485 ports, software-selectable (DB9 male)

ESD Protection: 15 KV for all signals

Console Port: RS-232, 3-wire (TxD, RxD, GND), pin-header

Serial Communication Parameters

Data Bits: 5, 6, 7, 8

Stop Bits: 1, 1.5, 2

Parity: None, Even, Odd, Space, Mark

Flow Control: RTS/CTS, XON/XOFF, ADDC® (automatic data direction control) for RS-485

Baudrate: 50 bps to 921.6 Kbps (supports non-standard baudrates; see user's manual for details)

Serial Signals

RS-232: TxD, RxD, DTR, DSR, RTS, CTS, DCD, GND

RS-422: TxD+, TxD-, RxD+, RxD-, GND

RS-485-4w: TxD+, TxD-, RxD+, RxD-, GND

RS-485-2w: Data+, Data-, GND

LEDs

System: OS Ready

LAN: 10M/Link x 2, 100M/Link x 2 (on connector)

Serial: TxD x 2, RxD x 2

Physical Characteristics

Housing: Aluminum (1 mm)

Weight: 190 g

Dimensions: 77 x 111 x 26 mm (3.03 x 4.37 x 1.02 in)

Mounting: DIN-Rail, wall

Environmental Limits

Operating Temperature:

Standard Models: -10 to 60°C (14 to 140°F)

Wide Temp. Models: -40 to 75°C (-40 to 167°F)

Operating Humidity: 5 to 95% RH

Storage Temperature:

Standard Models: -20 to 80°C (-4 to 176°F)

Wide Temp. Models: -40 to 85°C (-40 to 185°F)

Anti-Vibration: 1 g @ IEC-68-2-6, sine wave (resonance search), 5-500 Hz, 1 Oct/min, 1 cycle, 13 min 17 sec per axis (UC-7110 only)

Power Requirements

Input Voltage: 12 to 48 VDC

Power Consumption: 4.5 W

- 170 mA @ 24 VDC

- 340 mA @ 12 VDC

Regulatory Approvals

EMC: CE (EN55022 Class A, EN61000-3-2 Class A, EN61000-3-3, EN55024), FCC (Part 15 Subpart B, CISPR 22 Class A)

Safety: UL/cUL (UL60950-1, CSA C22.2 No. 60950-1-03), TÜV (EN60950-1)

Reliability

Alert Tools: Built-in buzzer and RTC (real-time clock)

Automatic Reboot Trigger: Built-in WDT (watchdog timer)

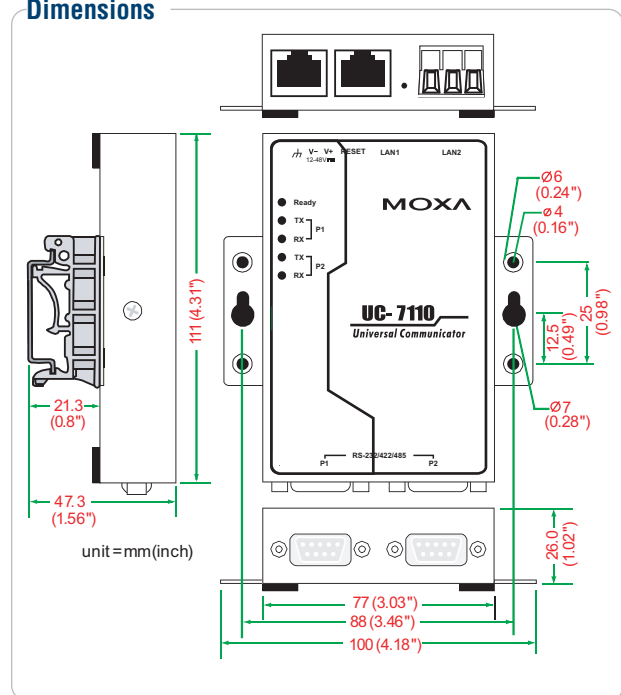
Warranty

Warranty Period: 5 years

Details: See www.moxa.com/warranty

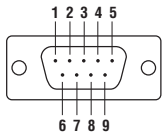
Note: The Hardware Specifications apply to the embedded computer unit itself, but not to accessories. In particular, the wide temperature specification does not apply to accessories such as the power adaptor and cables.

Dimensions



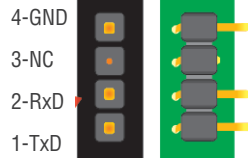
Pin Assignment

DB9 male connector

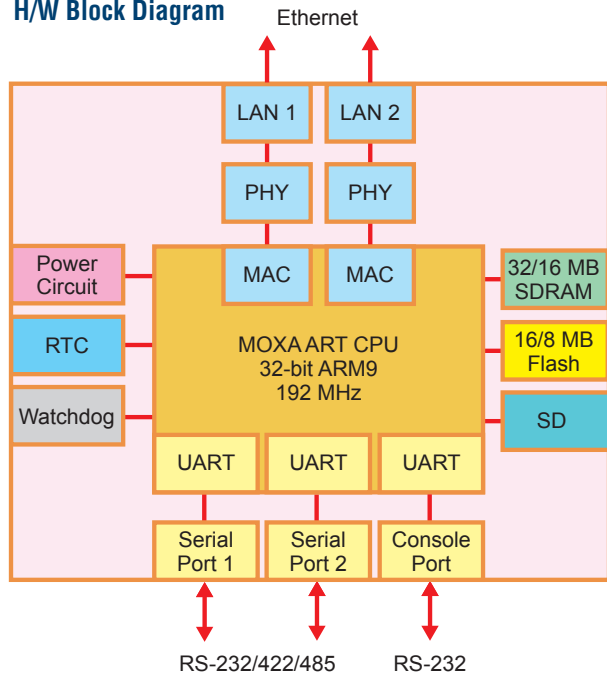


PIN	RS-232	RS-422/485-4w	RS-485-2w
1	DCD	TxD-(A)	-
2	RxD	TxD+(B)	-
3	TxD	RxD+(B)	Data+(B)
4	DTR	RxD-(A)	Data-(A)
5	GND	GND	GND
6	DSR	-	-
7	RTS	-	-
8	CTS	-	-

Serial console port



H/W Block Diagram



Software Specifications

Linux

Kernel Version: 2.6.9

Protocol Stack: TCP, UDP, IPv4, SNMP V1, ICMP, IGMP, ARP, HTTP, CHAP, PAP, SSH 1.0/ 2.0, SSL, DHCP, NTP, NFS, SMTP, Telnet, FTP, PPP, PPPoE

File System: JFFS2 (on-board flash)

System Utilities: bash, busybox, tinylogin, telnet, ftp, scp

telnetd: Telnet Server daemon

ftpd: FTP server daemon

sshd: Secure shell server

Apache: Web server daemon, supporting PHP and XML

openvpn: Virtual private network service manager

iptables: Firewall service manager

pppd: dial in/out over serial port daemon & PPPoE

snmpd: snmpd agent daemon

inetd: TCP server manager program

Application Development Software:

- Moxa Linux API Library for device control
- Linux Tool Chain: Gcc, Glibc, GDB

µClinix

Kernel Version: 2.6.19

Protocol Stack: TCP, UDP, IPv4, SNMP V1, ICMP, ARP, HTTP, CHAP, PAP, DHCP, NTP, NFS, SMTP, Telnet, FTP, PPP, PPPoE

File System: JFFS2 (on-board flash)

System Utilities: msh, busybox, tinylogin, telnet, ftp

pppd: dial in/out over serial port daemon & PPPoE

snmpd: snmpd agent daemon

telnetd: Telnet Server daemon

inetd: TCP server manager program

ftpd: FTP server daemon

boa: Web server daemon

Application Development Software:

- Moxa Linux API Library for device control
- Linux Tool Chain:
- Arm-elf-gcc: C/C++ PC Cross Compiler
- µClibc: POSIX Standard Library

Ordering Information

Available Models

UC-7110-LX: Mini RISC-based embedded computer with 2 serial ports, dual LANs, µClinix OS, -10 to 60°C operating temperature

UC-7112-LX: Mini RISC-based embedded computer with 2 serial ports, dual LANs, SD, µClinix 2.6 OS, -10 to 60°C operating temperature

UC-7112-LX Plus: Mini RISC-based embedded computer with 2 serial ports, dual LANs, SD, Linux 2.6 OS, -10 to 60°C operating temperature

UC-7110-T-LX: Mini RISC-based embedded computer with 2 serial ports, dual LANs, µClinix OS, -40 to 75°C operating temperature

Package Checklist

- UC-7110 or UC-7112 computer
- Ethernet cable: RJ45 to RJ45 cross-over cable, 100 cm
- CBL-4PINDB9F-100: 4-pin pin header to DB9 female console port cable, 100 cm
- Universal power adaptor (includes terminal block to power jack converter)
- Document and Software CD
- Quick Installation Guide (printed)
- Warranty Card