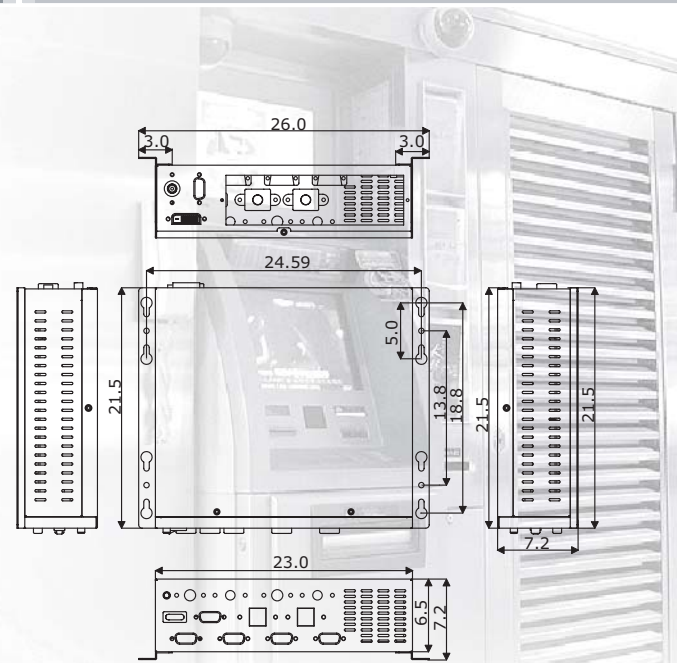


BBS-4016

Compact PC with 12V DC Adapter



Features

- Compact PC design, built-in 12V DC adapter
- BBS-4016-E w/HS-1752, provides Intel® P-M/C-M processor, 3 x COM, 6 x USB2.0, option for DVI display
- BBS-4016-F w/HS-1754, provides Integrated Dual-Core Intel® Atom™ processor, 1 x COM, 6 x USB2.0
- BBS-4016-Q w/HS-1750, provides Intel® Core™ 2 Duo/ Core™ Duo/C-M processor, 2 x COM, 6 x USB2.0, DVI display
- 1 x 2.5" SATA HDD space
- 1 x 4cm ball bearing cooling fan

Mechanical

- Thermal System**
1 x 4cm ball bearing cooling fan
- Dimensions (LxHxW)**
26.0 x 7.2 x 21.5 cm
- Operation/Storage Temperature**
0~+45 degrees C/-20~+70 degrees C
- EMC**
FCC/CE
- Power Adapter**
12V DC in 120W adapter

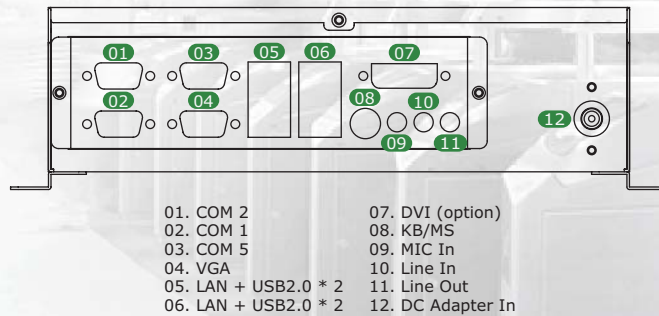
Ordering Guide

- BBS-4016-E**
Compact PC with HS-1752, 12V DC Adapter
- BBS-4016-F011**
Compact PC with HS-1754, 12V DC Adapter
- BBS-4016-Q911**
Compact PC with HS-1750, 12V DC Adapter

Accessory Options
CPU, Memory Module, 2.5" SATA HDD

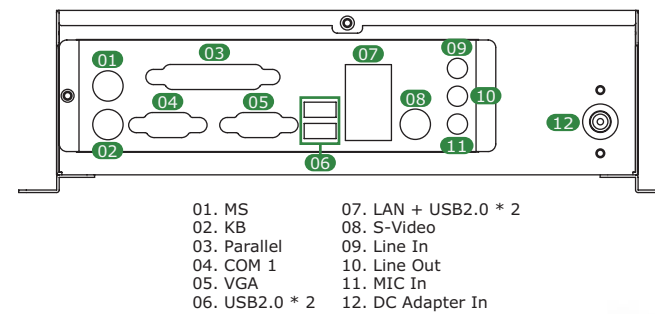
System

- BBS-4016-E**
SBC Model
HS-1752
CPU
Intel® Pentium® M/Celeron® M processor in the u-FCPGA 478 package (option)
BIOS
Award BIOS with 4Mb SPI Flash EEPROM
System Chipset
Intel® 915GME/ICH6-M
System Memory
2 x 240-pin DIMM sockets up to 2GB DDR2 SDRAM
Display Chipset
CRT: Intel® 915GME integrated Intel® GMA900
DVI: Chrontel CH7307C
Audio Chipset
RealTek ALC655 5.1CH audio codec
Ethernet Chipset
Dual RealTek RTL8111B 10/100/1000 Mbps LAN
Drive Bay
1 x 2.5" SATA HDD space
Watchdog Timer
Reset: 1 sec.~255 min. and 1 sec. or 1 min./step
External I/O
3 x COM, VGA, 2 x LAN, 6 x USB2.0, DVI (option), PS/2 KB/MS, MIC In, Line In, Line Out
Rear I/O



BBS-4016-F

- SBC Model**
HS-1754
CPU
Integrated Dual-Core Intel® Atom™ processor 330 with a 533MHz system bus
BIOS
Intel® BIOS (resident in the SPI Flash device)
System Chipset
Intel® 945GC/ICH7
System Memory
1 x 240-pin DIMM socket up to 2GB DDR2 SDRAM
Display Chipset
Intel® 945GC integrated Intel® GMA950
Audio Chipset
RealTek ALC662 audio codec
Ethernet Chipset
RealTek RTL8111C 10/100/1000 Mbps LAN
Drive Bay
1 x 2.5" SATA HDD space
External I/O
PS/2 MS, PS/2 KB, Parallel, 1 x COM, VGA, 6 x USB2.0, 1 x LAN, S-Video, Line In, Line Out, MIC In
Rear I/O



BBS-4016-Q

- SBC Model**
HS-1750
CPU
Intel® Core™ 2 Duo/Core™ Duo/Celeron® M processor (option)
BIOS
Award BIOS with 4Mb Flash EEPROM
System Chipset
Intel® 945GME/ICH7-M
System Memory
2 x 200-pin SO-DIMM sockets up to 4GB DDR2 SDRAM
Display Chipset
CRT: Intel® 945GME integrated Intel® GMA950
DVI: Chrontel CH7307
Audio Chipset
RealTek ALC655 5.1CH audio codec
Ethernet Chipset
Dual Marvell 88E8053 10/100/1000 Mbps LAN
Drive Bay
1 x 2.5" SATA HDD space
Watchdog Timer
Reset: 1 sec.~255 min. and 1 sec. or 1 min./step
External I/O
PS/2 MS, PS/2 KB, VGA, DVI, 2 x COM, 2 x LAN, 6 x USB2.0, Line In, Line Out, MIC In
Rear I/O

