

INPUT CHARACTERISTICS:**MRW-6350P/6400P/6420P**

- VOLTAGE: 90 ~ 264 VAC FULL RANGE
- FREQUENCY : 47 ~ 63 Hz
- INPUT CURRENT: 8.0 / 4.0 A FOR 115 / 230 VAC
- INRUSH CURRENT: 60A / 80A MAX. FOR 115 / 230 VAC PER POWER MODULE

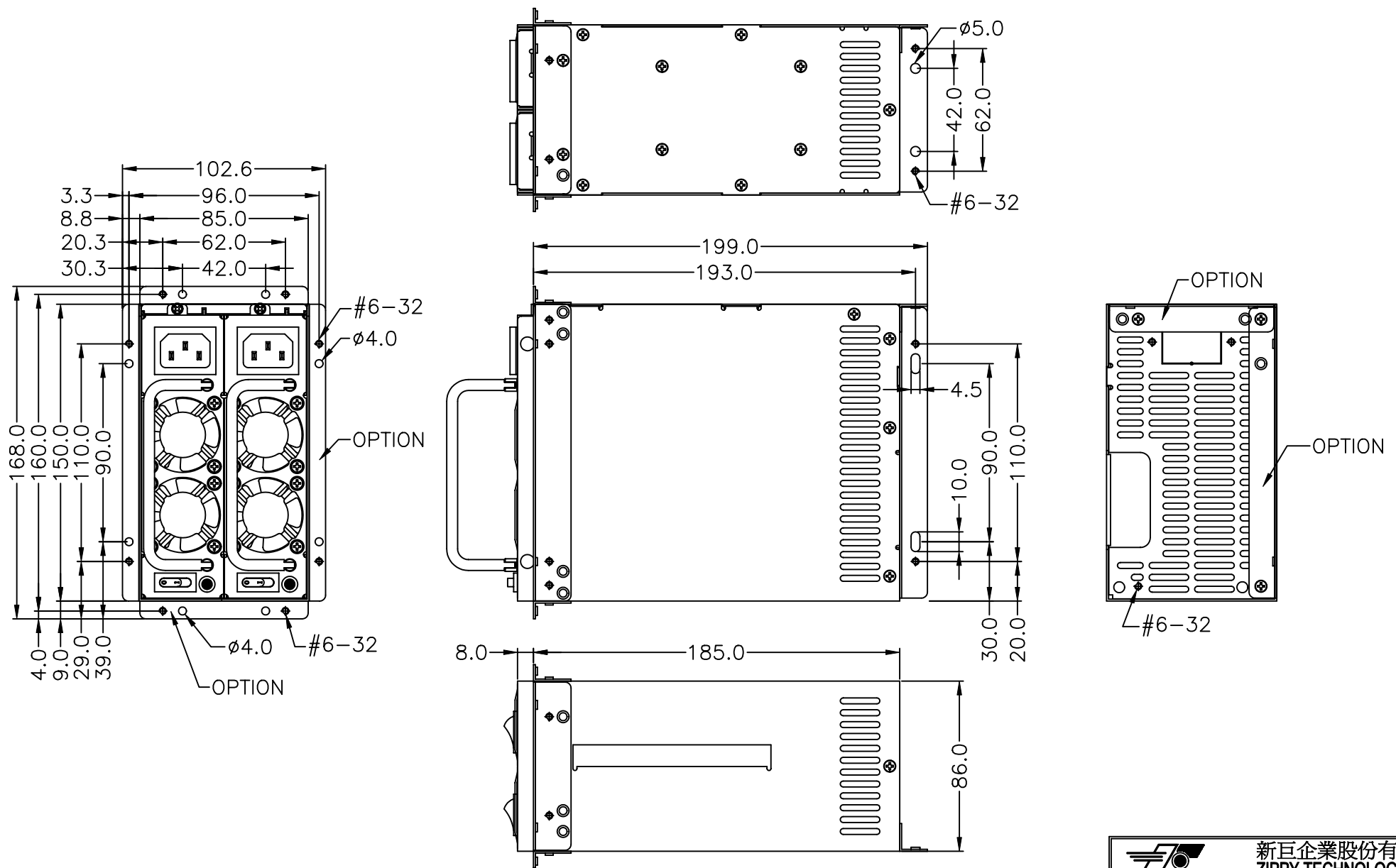
OUTPUT CHARACTERISTICS:

OUTPUT VOLTAGE	OUTPUT CURRENT			REGULATION		OUTPUT
	MIN.[A]	MAX.[A]	PEAK	LOAD	LINE	RIPPLE & NOISE MAX. [P-P]
5V	3.0	35		± 5%	± 1%	50mV
12V	2	22/28/28		± 6%	± 1%	120mV
-5V	0	0.5		±10%	± 1%	150mV
-12V	0	1.2		±10%	± 1%	150mV
3.3V	1.0	25		± 5%	± 1%	50mV
+5VSB	0.1	2.0		± 5%	± 1%	60mV

REMARKS: * NEITHER +5V & + 3.3V NOR +3.3V & 12V SHOULD EXCEED 40/48/48 A

* TOTAL MAXIMUM OUTPUT OF 5V, 3.3V AND 12V : 330W / 378W / 398W


- TEMPERATURE RANGE : OPERATING 0°C --- 40°C, STORAGE -20°C --- 70°C
- HOLD UP TIME: 16 ms MINIMUM AT FULL LOAD & 90 VAC INPUT VOLTAGE
- DIELECTRIC WITHSTAND: INPUT / OUTPUT 1500 VAC FOR 1 MINUTE
INPUT TO FRAME GROUND 1500 VAC FOR 1 MINUTE
- EFFICIENCY: 63% TYPICAL, AT FULL LOAD
- POWER GOOD SIGNAL: ON DELAY 100 ms TO 500 ms, OFF DELAY 1 ms
- OVER LOAD PROTECTION: 110 ~ 160% MAX.
OVER VOLTAGE PROTECTION:
+5V → 5.7V ~ 6.6V, 3.3V → 3.9 ~ 4.3V, 12V → 13.0 ~ 14.6V
- OVER CURRENT PROTECTION : 5V, 12V, 3.3V 130% +/- 20% AT FULL LOAD
-5V, -12V SHORT CIRCUIT
- EMI NOISE FILTER: FCC CLASS B, CISPR22 CLASS B
- SAFETY: UL 1950, CSA 22.2 NO/ 950, TÜV IEC 950
- REMOTE ON / OFF CONTROL
- FAULTY ALARM METHODS : LED, BUZZER, TTL SIGNAL
- HOT-SWAPPABLE / HOT-PLUGGABLE REDUNDANCY FUNCTION
- BALANCE LOAD SHARING DESIGN
- REMOTE SENSING DESIGN
- ISOLATION: BUILT-IN IN THE POWER MODULE
- MEET IEC-1000-3-2 CLASS D (ACTIVE PFC)
- DIMENSION: 86(H) X 150(W) X 185 (D) mm
- COOLING : TWO 40 mm DC FANS (MODULE)
- AC INLET IN EACH MODULE



容許公差: TOLERANCES:	.XXX ±.025 .XX ±.100 .X ±.250
投影法: PROJECTION:	第三角法

材料規格: MATERIAL:	
核准者: APPROVE BY:	
日期: DATE:	
審核者: CHECK BY:	
繪圖者: DRAW BY:	

日期: DATE:	AUG-02-2002
--------------	-------------

 新巨企業股份有限公司 ZIPPY TECHNOLOGY CORP. POWER DIVISION	
品名: MODEL NO:	MRW 外觀尺寸圖
料號: PART NO:	
圖號: DRAW NO:	MRWOMA00
槽號: FILE NO:	MRWOMA00
單位: UNITS:	mm
版次: REV. NO:	A1
規格: SPEC:	A1
編號: SHEET:	OF