

ACE-704AM

45W AC-DC Open Frame Medical AT Power Supply



Feature

1. Only 1.2 inch height
2. 4.7 Watt per cubic inch
3. With ITE & Medical safety
4. High Efficiency 80%
5. Operation from 0°C to 70°C by convection
6. Single side PCB for low assembly cost

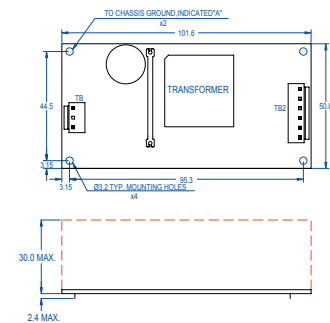
Safety



Specification

Input	Voltage :	90 ~ 264VAC Full Range		
	Frequency :	47 ~ 63Hz		
	Inrush Current :	30A Max for 115VAC 60A Max for 230VAC		
Output	Voltage	Min. load	Max. load	Ripple & Noise
	+5V	0A	3A	1%
	+12V	0A	2A	1%
	-12V	0A	0.3A	1%
General Specification	Over-voltage protection :	latch off		
	Short Circuit protection :	auto recovery		
	Watt	45W		
	PFC	-		
	Hold-up time	14 ms Min.		
	Efficiency	80% Min.		
	MTBF	100,000 hours		
	Temperature	Operation: 0 ~ 70°C Storage : -40 ~ 85°C		
	Dimension	50.8 X 101.6 X 30.4 (mm) 2 X 4 X 1.2 (inch)		
Outline Connector	Optional CB-704EB-RS CB-704BP-RS			

Dimension



CB-704EB-RS



CB-704BP-RS

Ordering Information

Part No.	Description
ACE-704AM-RS	45W AC-DC Open Frame Medical AT Power Supply.RoHS

Optional

Part No.	Description
CB-704EB-RS	DC cable for ACE-704AM/ACE-706AM power to CPU card, W/4PIN 12V CPU / HDD / S-ATA connector, 30cm
CB-704BP-RS	DC cable for ACE-704AM/ACE-706AM power to Backplane, W/20PIN ATX / HDD / S-ATA connector, 30cm



Headquarters

IEI Technology Corp.

TEL : +886-2-86916798 FAX : +886-2-66160028

sales@ieiworld.com www.ieiworld.com

No. 29, Jhongsing Rd., Sijhih City, Taipei County, 221, Taiwan

America-United States

IEI Technology USA Corp.

TEL : +1-562-690-6677 FAX : +1-562-690-0898

sales@usa.ieiworld.com www.usa.ieiworld.com

515 N. Puente St., Brea, CA 92821

China

Armorlink SH Corp.

TEL : +86-021-54429000 FAX : +86-021-54429100

sales@ieiworld.com.cn www.ieiworld.com.cn

No.515, Shenfu Road, Minhang District, Shanghai, China