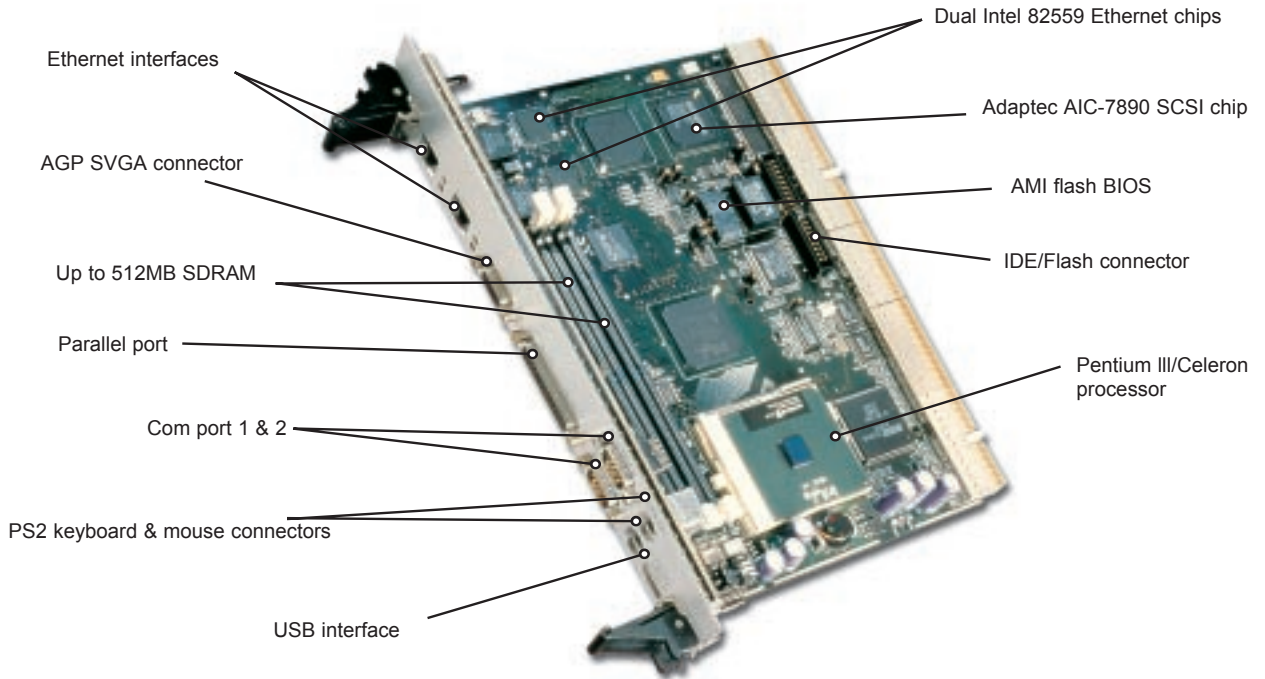


IBC 2600

CompactPCI™ Socket 370 Pentium III®/Celeron Board



Ordering Information

IBC 2600-433

Celeron, 433MHz w/dual Ethernet, SCSI and SVGA

IBC 2600-566

Celeron, 566MHz w/dual Ethernet, SCSI and SVGA

IBC 2600-600

Pentium III FC-PGA, 600MHz w/dual Ethernet, SCSI and SVGA

IBC 2600-700

Pentium III FC-PGA, 700MHz w/dual Ethernet, SCSI and SVGA

IBC 2600- RIO

Rear I/O transition module w/dual Ethernet, SCSI and SVGA

DIMM Memory Options

SDM-32MB	32MB DIMM
SDM-64MB	64MB DIMM
SDM-128MB	128MB DIMM
SDM-256MB	256MB DIMM

Specifications

Microprocessor

Single Socket 370 Microprocessor socket for use with:

- Intel Pentium III FC-PGA processors up to 850MHz
- Intel Celeron processors of 733MHz and beyond

Chipset

- Intel 440BX

Dynamic RAM

- Up to 512MB of Synchronous DRAM (ECC or non-ECC)

Cache

- Pentium III: 256K, 256-bit wide integrated L2 cache
- Celeron: 128K, 64-bit wide integrated L2 cache

BIOS

- AMI Hi-Flex BIOS
- Custom BIOS available

Watchdog Timer

- Software controlled with reset capability

SCSI Interface

- Adaptec 7890 LVD SCSI
- Up to 80MB/s transfer rate

Ethernet Interface (Dual)

- Dual 10/100BaseTx Ethernet Intel 82559
- Dual RJ-45 connectors and LEDs

Video Interface

- 69030 AGP Video with 4MB Memory
- 1280 x 1024 x True Color non-interlaced

Enhanced IDE (Dual)

- Dual IDE Interface up to 4 drives
- Ultra DMA/33 with synchronous transfers up to 33MB/s
- On board connector for optional Compact Flash Disk

System Monitoring

- On-board system monitoring bus of voltages, temperatures and fans

USB

- Single PC Compatible USB port

Legacy I/O

- Floppy drive interface, up to 2 drives
- Dual 16C550 Serial Ports
- Bi-directional Parallel Port with EPP and ECP
- PS/2 Mouse Port
- PS/2 Keyboard Interface

Mechanicals

- 2-Slot (8HP) x 6U **CompactPCI™** Compliant
- **CompactPCI™** Compliant Rear I/O Board available

Operating Environment

- Temperature: 0° - +50° C
- Storage -40° - +70° C

Power Requirements

- (+5V@ 5.8A) (+12V@ <100mA)
- (-12V@ <100mA) (+3.3V@ 2.4A)



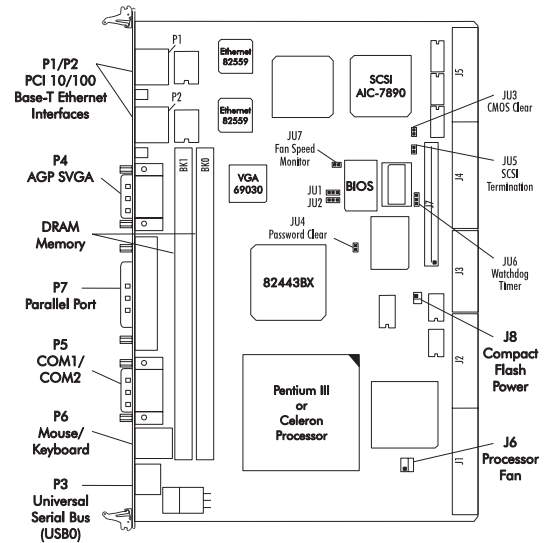
IBC 2600

CompactPCI™ Socket 370 PentiumIII®/Celeron Board

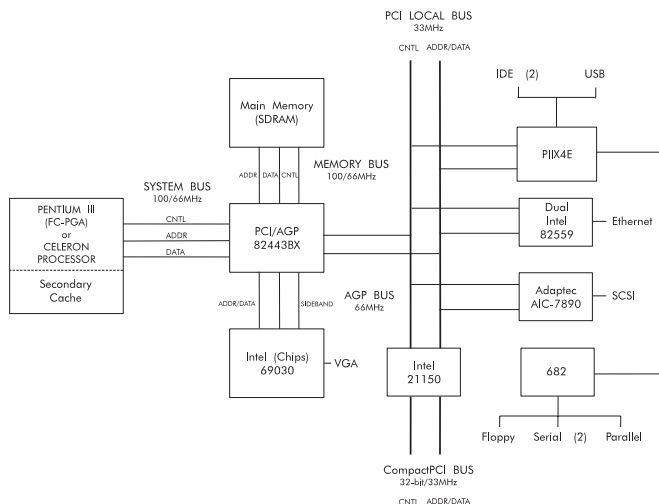
The **IBC 2600** Socket 370 Pentium III/Celeron board is a high performance **CompactPCI™** Single Board Computer (SBC) from I-Bus. This flexible board features:

- Processing power from 850MHz Pentium III FC-PGA running 100MHz front side bus, to 733MHz Celeron running 66MHz FSB
- Support for Windows NT/2000, Windows 95/98, Linux
- Optional rear I/O transition module
- On-board drive and flash options
- Flexible I/O options - LVD SCSI, Dual Ethernet, AGP high-resolution graphics

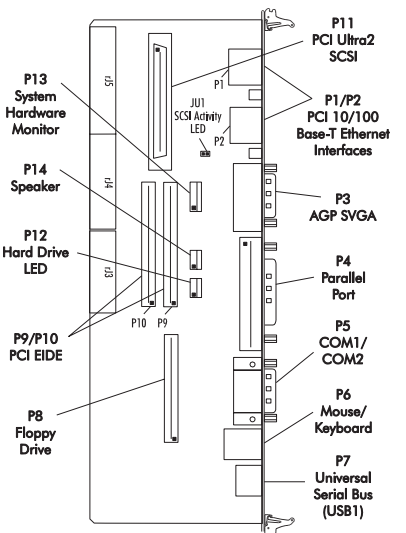
Integrated with I-Bus **CompactPCI™** enclosure systems and backed by global sales and support, the **IBC 2600** is the perfect solution for demanding telecommunications, internet server, internet telephony, medical and industrial applications.



Bus Layout



Rear I/O Transition Module



For Further Information



Worldwide Headquarters

I-Bus Corporation
3350 Scott Blvd, Building 54
Santa Clara, CA 95054
United States
Phone : +1 (408) 450-7880
Fax : +1 (408) 450-7881
Toll Free: 877-777-IBUS
Email: contact.us@ibus.com

European Headquarters

I-Bus UK Ltd
Unit 6, Chichester Business Park
City Fields Way, Tangmere
West Sussex, PO20 2LB, UK
Tel: +44 (0) 1243 756300
Fax: +44 (0) 1243 756301
Email: contact.uk@ibus.com

France, Italy

I-Bus France
B.P 45 Valbonne
06901 Sophia Antipolis CEDEX
France
Tel: +33 (0) 493 004 360
Fax: +33 (0) 493 004 369
Email: contact.fr@ibus.com