



Air moving solutions made simple



AC Fans
DC Fans



AC Blowers
DC Blowers



AC Impellers
DC Impellers



AC Motors



Accessories

Search

- Part/Model #
- Stock Check
- Cross-Reference
- Keyword

More Products

- Heat Sinks
- Fan Accessories
- Engineering Tools
- Airflow Calculator
- Thermal Calculator
- Unit Conversions
- Application Notes

Custom Solutions

- Company Info
- Contact Info
- Technical Capability
- Certifications
- Terms & Conditions
- Employment Ops

Gateway Online

Phone: 858.348.6200 FAX: 858.566.4577

Distributors

Find a Rep

Contact Us

Flight II 120 - FT24B7 - 032529 - Yes
 (Family) (Model) (Part #) (In Stock)

Electrical Specifications

Operating Voltage:	24 Volts
Voltage Range:	12 - 28 Volts
Power Supply:	4.0 Watts
Line Current:	0.17 Amps
Locked Rotor Current	0.44 Amps
Nominal Speed:	2940 RPM

Mechanical Specifications

Dimensions:	4.7 x 4.7 x 1.0 in
Weight	7.1 oz
Max Airflow @ 0 in H₂O	90.0 CFM
Max Pressure @ 0 CFM	0.211 in H₂O
Noise	42.9 dBA

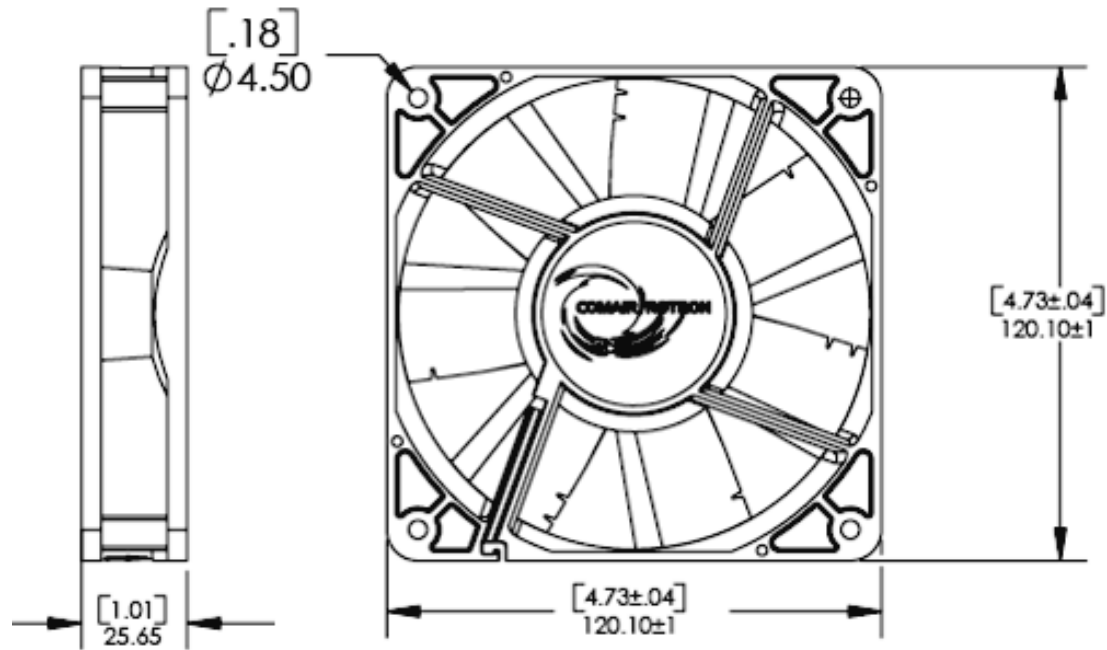


Detailed Drawing



Printer-Friendly Datasheet

Mechanical Drawing



Fan Performance Curve

Fan Configuration Options

Flight II 120 (Family)	- FT24B7 (Model)	- 032529 (Part #)	- <u>Yes</u> (In Stock)
Fan Speed Options	Fan Bearing Options	Fan Airflow Direction Options	Fan Termination Options
High Speed (3500 RPM)	Ball Bearings	Flow L (CW Rotation)	Leads
Full Speed (2940 RPM)	Sleeve Bearings	Flow R (CCW Rotation)	Terminals
5/8 Speed (1950 RPM)			

Fan Monitoring Options

No Fan Monitoring Options Required

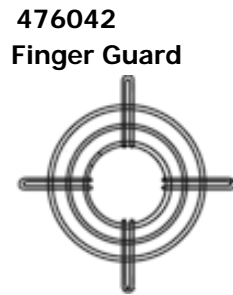
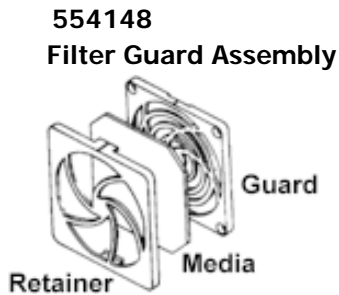
Add Tachometer (2 pulses per revolution.)

Open Collector Output
TTL (+5V) Output
Existing Models with Tachometer Option:
FT24B7 - 032529

Add Fan Performance Sensor (FPS)
Fan Speed Control Options

Add ThermaPro-V Fan Speed Control
Environmental Protection Options

Add Enviroshield Environmental Protection
Accessories (Click on part number for detailed drawing.)



Comair Rotron, Inc.
Phone: 858.348.6200
FAX: 858.566.4577
sales@comairrotron.com

ThermaFlo, Inc.
Phone: 972.312.8609
FAX: 972.312.8617
info@thermaflo.com

Comair Rotron Europe, Ltd.
Phone: +44.1527.520525
FAX: +44.1527.520565
saleseurope@comairrotron.com

Comair Rotron Fan Company Ltd.
Phone: +86.21.52260581
FAX: +86.21.52260597
salesasia@comairrotron.com