



**Caravel AC - CLE2T2 - 020189**  
(Family) (Model) (Part Number)

## Electrical Specifications

Rated Voltage:	115 VAC
AC Frequency:	60 Hz
Power Supply:	61.0 Watts
Line Current:	0.50 Amps
Locked Rotor Current	1.50 Amps
Nominal Speed:	1650 RPM

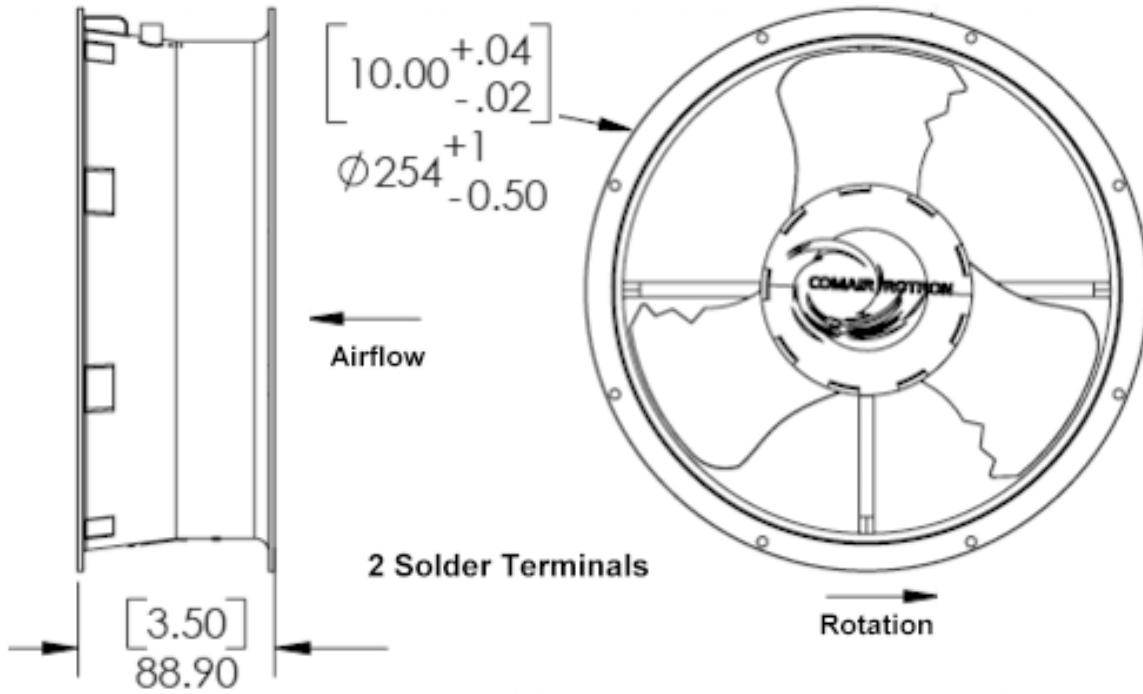
## Mechanical Specifications

Dimensions:	10.00in x 3.50in
Weight	70.4 oz
Max Airflow @ 0 in H <sub>2</sub> O	525.0 CFM
Max Pressure @ 0 CFM	0.331 in H <sub>2</sub> O
Noise	49.2 dBA

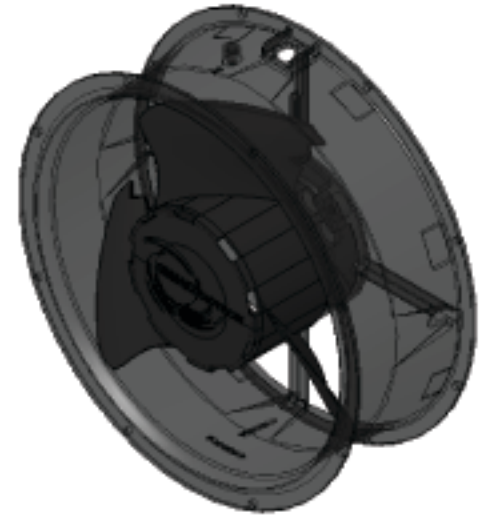
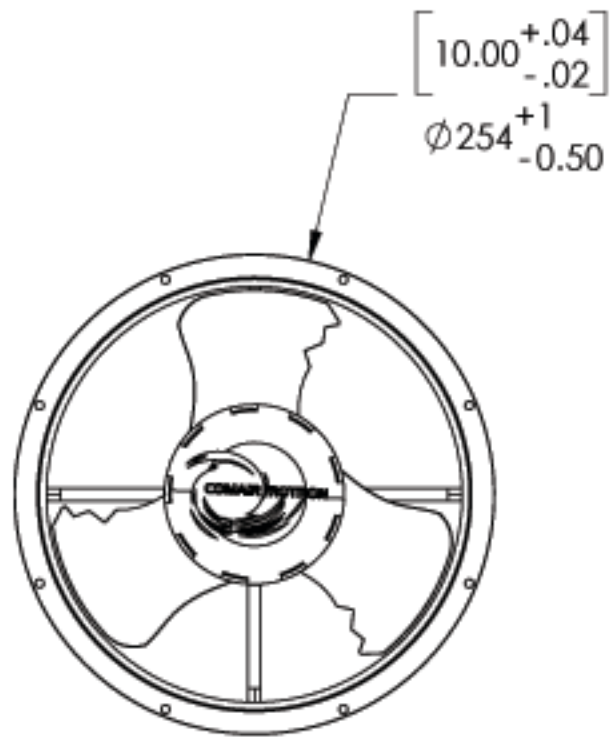
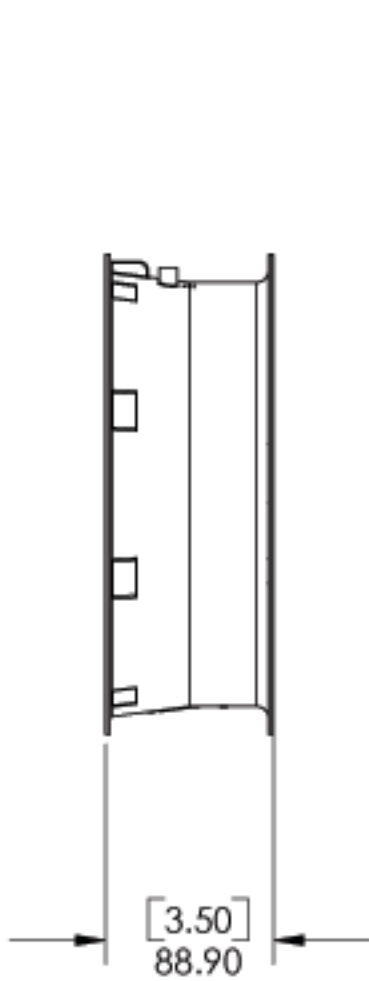




## Mechanical Drawing



Part Number	Model Number	Bearing Type	Fan Rotation	Termination	
020189	CLE2T2	Ball	Normal	Solder Terminals	



CONTACT INFO: WWW.COMAIRROTRON.COM		
TOLERANCE UNLESS OTHERWISE SPECIFIED 2 PL. DEC. 4 (0) (M) 3 PL. DEC. 4 (0) (M) ANGULAR 1:50	AMERICAN PROJECTION 	3D MODEL FOUND AT..
<b>CARAVEL AC</b>		