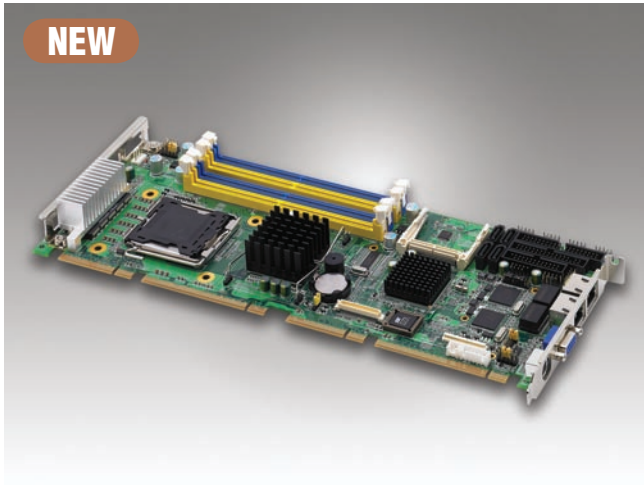


# PCE-5120-A2E

**LGA775 Core™ 2 Duo Processor Card with PCI Express/VGA/Dual GbE LAN**

**NEW**



## Features

- Complies with PICMG 1.3
- Supports LGA 775 Intel® Core™ 2 Duo with 1066/800/533 MHz FSB
- Supports dual-channel DDR2 533/667 SDRAM up to 4 GB
- One PCIe x16 and four PCIe x1 links to backplane
- Dual Gigabit Ethernet via two PCIe x1 ports
- Onboard IPMI module (optional)
- Four SATA2 channels with software RAID 0, 1, 5 and 10

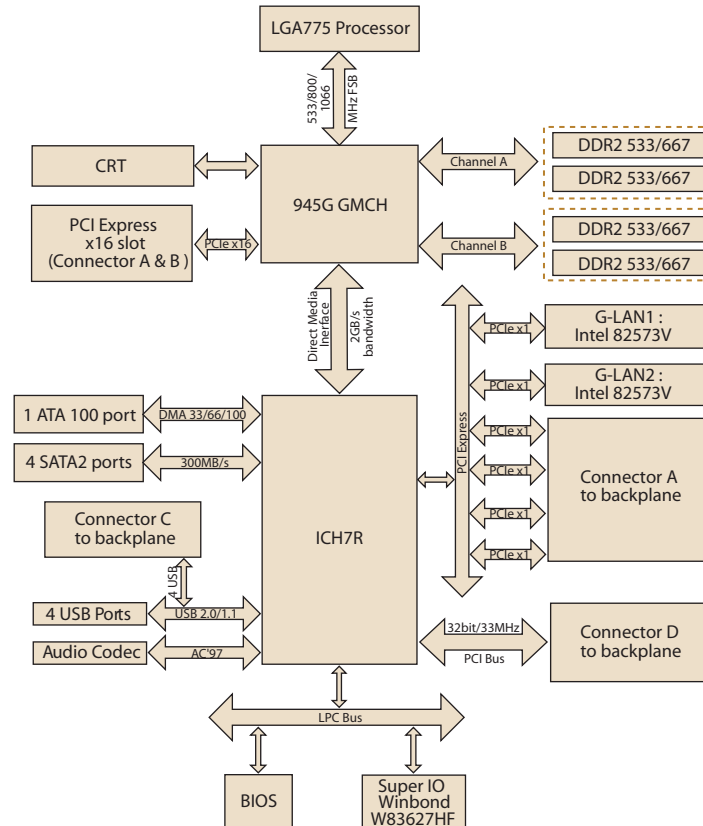


CE FCC

## Specifications

Processor System	CPU	Intel Core 2 Duo	Pentium Dual-Core	Celeron 400 Sequence
	Max. Speed	E6700 (2.66 GHz)	E2220 (2.40 GHz)	440 (2 GHz)
	L2 Cache	4 MB	1 MB	512 KB
	Chipset	Intel 945G + ICH7R		
	BIOS	Award 4 Mb FWH		
Bus	Front Side Bus	1066/800/533 MHz		
	PCI Express	One x16 & four x1 to backplane		
Memory	PCI	Four 32-bit/33 MHz PCI Masters to Backplane		
	Technology	Dual-channel DDR2 533/667 MHz DIMMs		
	Max. Capacity	4 GB		
Graphics	Socket	240-pin DIMM x 4		
	External Card	PCI Express x16 Graphics card		
	Chipset Integrated	Intel Graphics Media Accelerator 950		
	VRAM	Shared with 224 MB system memory		
Ethernet	Video Output	15-pin CRT connector x 1		
	Interface	10/100/1000Base-T		
	Controller	LAN1: Intel 82573V (PCI Express x1) LAN2: Intel 82573V (PCI Express x1)		
SATA2	Connector	RJ-45 with LED connector x 2		
	Max. Data Transfer Rate	300 MB/s		
EIDE	Channel	4 on SHB; supports software RAID 0, 1, 5 and 10		
	Mode	ATA 100/66/33		
I/O Interface	Channel	1 (supports up to 2 IDE devices including 1 optional type II CF card)		
	USB	Max. 8 (USB 2.0 compliant) 4 on SHB by Pin Header, 4 to Backplane		
	Serial	4 (RS-232) with Pin Header (COM2 can be configured to RS-232/422/485)		
	Parallel	1 (EPP/ECP)		
	FDD	1		
Watchdog Timer	PS/2	1 (Y cable for mouse and keyboard included)		
	Output	Interrupt, system reset		
Miscellaneous	Interval	Programmable 1, 2, 4, 8, ..., 256 sec		
	Audio Output	AC97 audio interface (requires an audio extension module P/N: PCA-AUDIO-00A1E)		
Power Requirement	Test Conditions	Intel Core 2 Duo Desktop Processor E6400; DDR2 667 MHz 1 GB x 4		
	Voltage	+12 V      +5 V      +3.3 V      +5 VSB      -12 V      -5 V		
	Typical Current	5 A      3 A      11 A      0.7 A      0 A      0 A		
Environment	Operating		Non-Operating	
	Temperature	0 ~ 55° C (32 ~ 131° F), depends on CPU's speed	-20 ~ 80° C (-4 ~ 176° F)	
Physical	Dimensions (L x W)	338.58 x 126.39 mm (13.3" x 4.98")		

## Board Diagram



## Ordering Information

Part Number	Gigabit LAN	VGA
PCE-5120G2-00A2E	Dual	Yes
PCE-5120VG-00A2E	Single	Yes

## Bracket View



PCE-5120G2-00A2E



PCE-5120VG-00A2E

## Packing List

Part Number	Description	Quantity
1700340640	FDD cable	x 1
1701400452	Ultra ATA 66/100 HDD cables	x 1
1700003194	Serial ATA HDD data cable	x 2
1703150102	Serial ATA HDD power cable	x 2
1701260305	Printer + COM cable	x 1
1701092300	Dual COM port cable kit	x 1
1700060202	Y cable for PS/2 keyboard and mouse	x 1
1750000400	CPU cooler	x 1
1700008461	USB cable with 4 ports	x 1
9689000068	Jumper pack	x 1
-	Startup manual	x 1
-	Utility CD	x 1

## Accessories

Part Number	Description
PCA-AUDIO-00A1E	Audio extension module