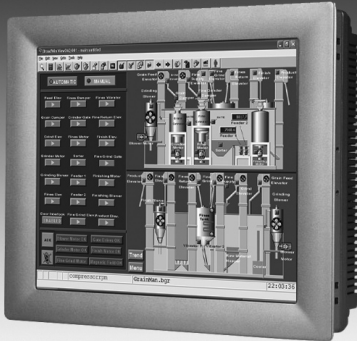


WebView-120H

12.1" Web-enabled HMI

NEW



Features

- 12.1" SVGA TFT LCD
- Super slim and compact design with Al-Mg housing
- Fanless cooling system
- NEMA4/IP65 compliant front panel
- Automatic data flow control RS-485
- Built-in Windows® CE with Advantech WinCE WebAccess
- One CompactFlash® slot
- Supports Vector-based graphics
- Supports 2 Web Client
- Remote control and monitor by Ordinary IE Browser
- 50 tags real time trend and historical trend
- Supports calendar scheduler
- Import BMP, JPEG, GIF, ACAD DXF

Introduction

Advantech's WebView-120H is a web-based human-machine interface (HMI) and supervisory control and data acquisition (SCADA) platform. All the features are available in an ordinary web browser including Animated Graphics Displays, Real-time Data, Controllers, Trends, Alarms and Logs, Scheduler, Recipes, and more.

Specifications

General

- **Certifications** BSMI, CCC, CE, FCC, UL
- **Cooling System** Fanless design
- **Dimensions (W x H x D)** 311 x 237 x 52 mm (12.24" x 9.33" x 2")
- **Enclosure** Al-Mg and ABS
- **Mounting** Desktop, swing arm or wall (with mounting kit)
- **OS Support** Windows
- **Power Consumption** 30 W
- **Power Input** 18 ~ 32 V_{DC}
- **Watchdog Timer** 1.6 sec (system)
- **Weight (Net)** 2.2 kg (4.85 lbs)

System Hardware

- **CPU** Intel PXA 270 520 MHz
- **Expansion Slots** 1 x CompactFlash® slot
- **LAN** 2 x 10/100Base-T
- **Memory** 64 MB SDRAM on board
- **Serial Ports** 3 serial ports
(2 x Full RS-232; 1 x 4-pin RS-232/RS-485)
- **Storage** 64 MB MDOC on board
1 x CompactFlash card (optional)
- **USB Ports** 2 x USB 1.1
- **Video Ports** 1 x VGA
- **CAN Port** 1 x Isolated CAN 2.0B Interface (Optional)
CAN Controller: SJA-1000
CAN Transceiver: 82C250

Environment

- **Humidity** 10 ~ 95% RH @ 40° C, non-condensing
- **Ingress Protection** Front panel: NEMA4, IP65
- **Operating Temperature** 0 ~ 50° C (32 ~ 122° F)
- **Storage Temperature** -20 ~ 70° C (-4 ~ 158° F)
- **Vibration Protection** 1 grms (5 ~ 500 Hz) (Operating, random vibration)

LCD Display

- **Backlight Life** 50,000 hrs
- **Contrast Ratio** 300:1
- **Display Size** 12.1"
- **Display Type** SVGA TFT LCD
- **Luminance cd/m²** 340
- **Max. Colors** 262 K
- **Max. Resolution** 800 x 600
- **Viewing Angle (H/V)** 100/60

Touchscreen

- **Lifespan** 1 million touches at single point
- **Light Transmission** Above 75%
- **Pixel Pitch (H x V)** 0.3075 x 0.3075 mm
- **Resolution** 1024 x 1024
- **Type** 8-wire, analog resistive

Software Specifications

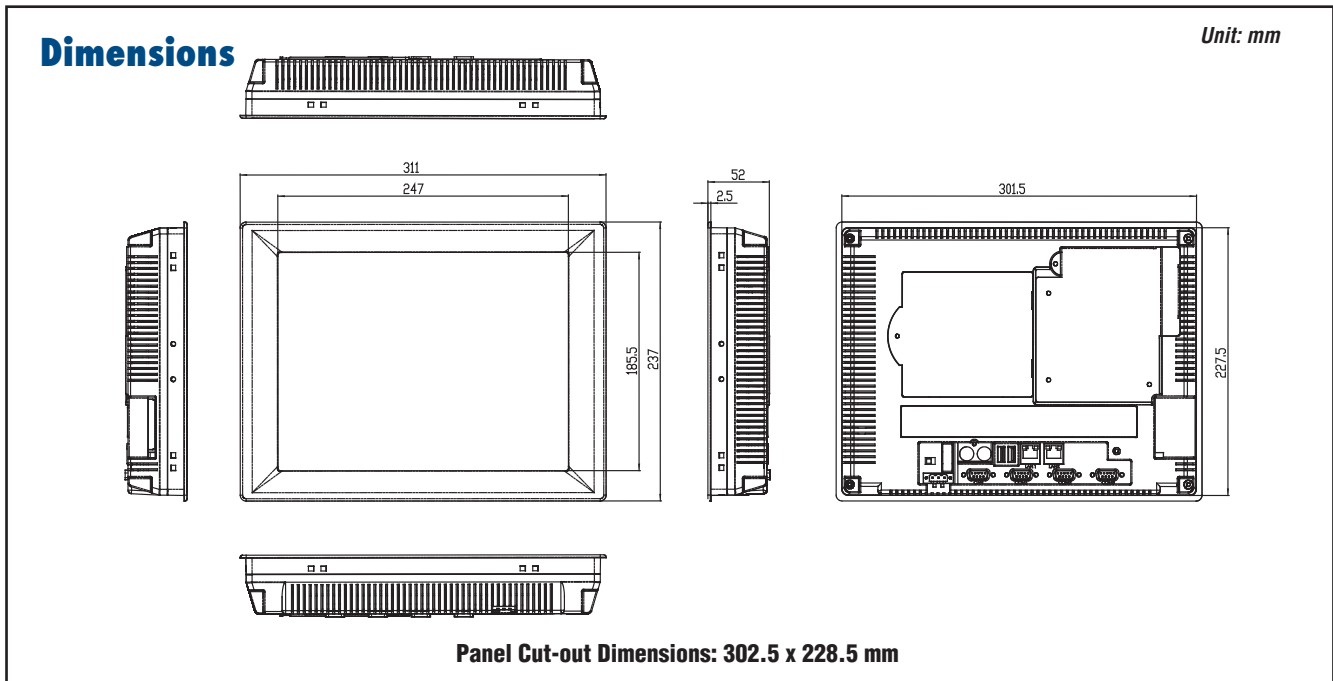
- **Operating System** Windows CE

Advantech WinCE WebAccess specifications:

- **I/O Tag Number** 150/600
- **Internal Tag Number** 150/600
- **Web Client** 2
- **Alarm Logging** 1000
- **Action Logging** 1000
- **Message Characters** 50

Graphics

- **# of Graphic Pages** 100
- **Macro Key** Yes Local
- **Script** Yes Variable
- **Per Graphic Page** 255



WebAccess Specifications (cont.)

Data Trend Log

- # of data logging 50 Tags

Recipe

- Recipes per Project 100
- Unit per Recipe 100
- Item per Unit 999

Scheduler

- Holiday Configuration 10 groups
- Time Zone Group 99
- Device Loop Group 99
- Equipment Group 99

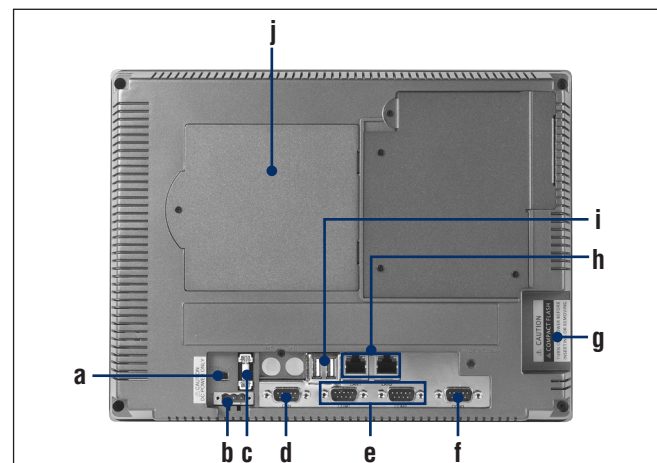
Ordering Information

- WView120H-150-W50E 12.1" Web-enable HMI with 150 tags
- WView120H-600-W50E 12.1" Web-enable HMI with 600 tags

Accessories

- WView-120H-ECME CAN-Bus 2.0 module

Rear View



- a. Power Switch
- b. Power Receptor
- c. Fuse (3.15A)
- d. CAN Port
- e. COM Port (RS232)
- f. COM3 (RS232/485)
- g. CompactFlash
- h. Ethernet Port
- i. USB Port
- j. CAN Module Cover