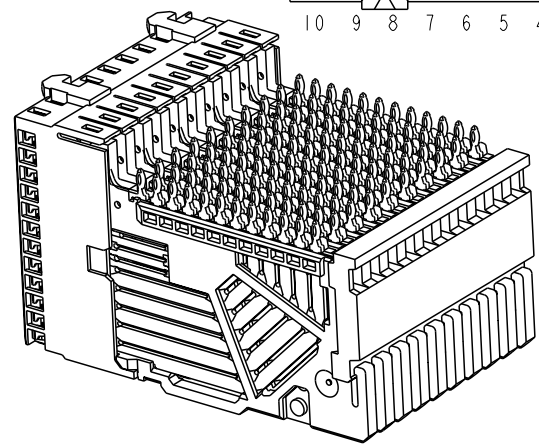
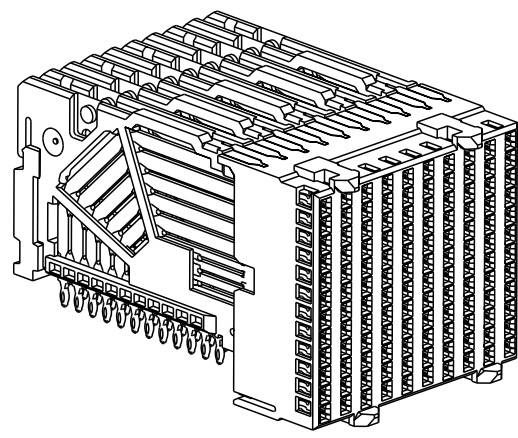
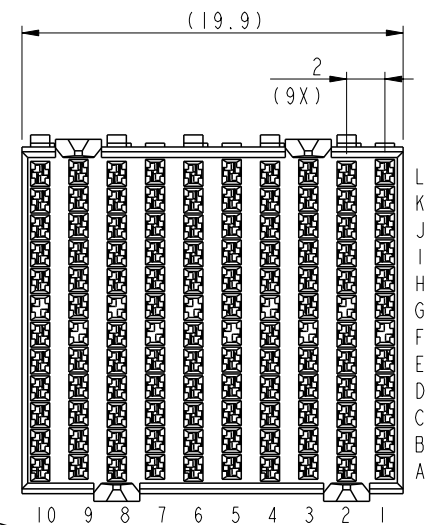
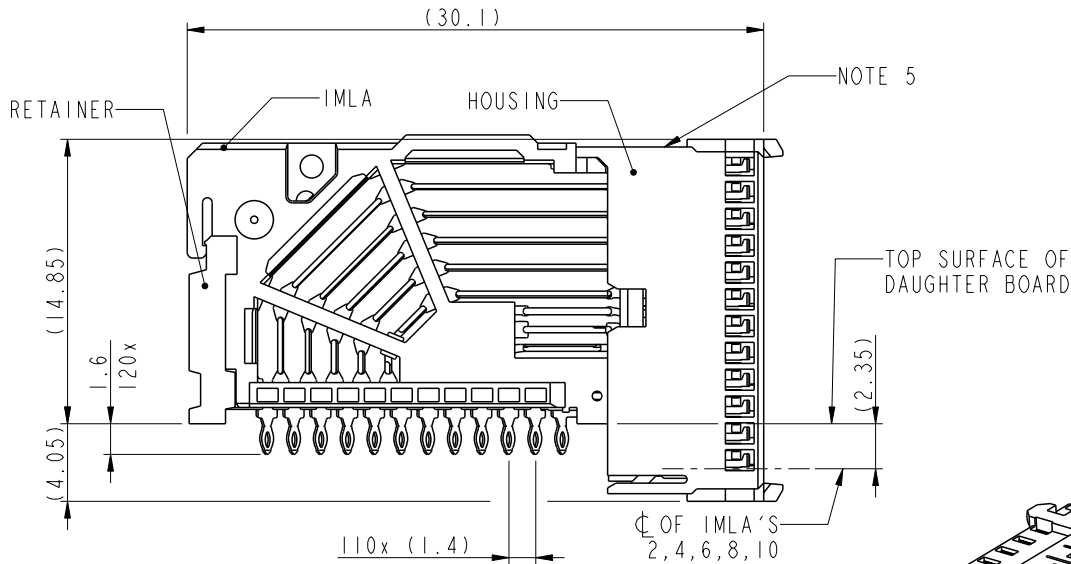


PRODUCT-NUMBER
SEE TABLE, SHEET 2

Tous droits strictement réservés. Reproduction ou communication à des tiers interdite sous quelque forme que ce soit sans autorisation écrite du propriétaire. Propriété de FCI. Droits de reproduction (FCI).

All rights strictly reserved. Reproduction or issue to third parties in any form whatsoever is not permitted without written authority from the proprietor. Property of FCI. Copyright (FCI).

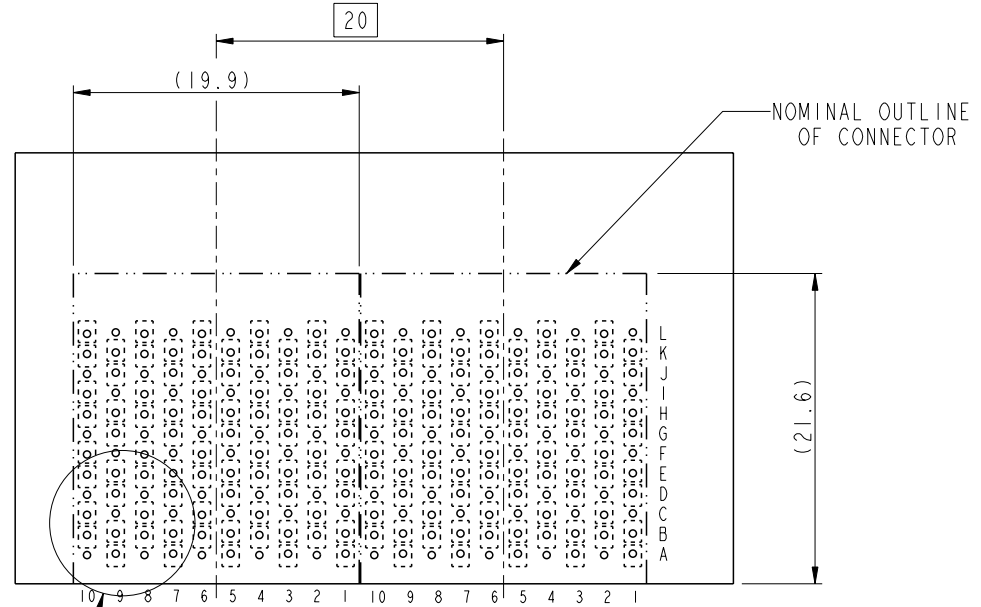
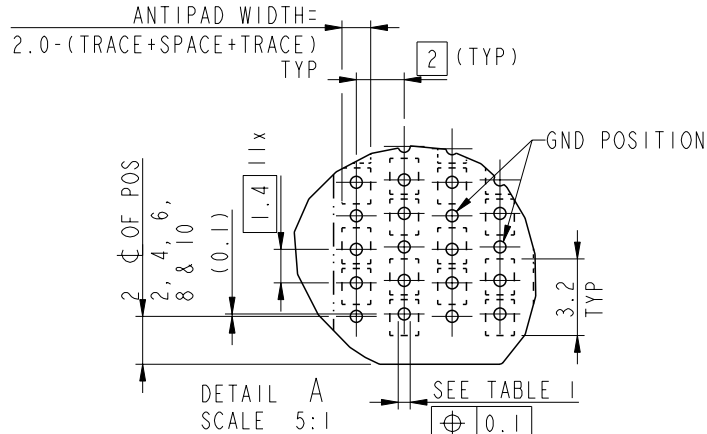


lfr	ecn no	dr	date
1	H05-0080	VWO	22 Mar 05
2	H05-0098	VWO	29 Apr 05
3	H05-0198	VWO	30 Aug 05
-	-	-	-
-	-	-	-
-	-	-	-
-	-	-	-

FCI		www.fciconnect.com		tolerance ISO 406 ISO 1101	projection 	MM 	
Dr	H VAN WOENSEL	21 Mar 05	Product family	AirMax VS(fm)	size	A3	
Eng	H VAN WOENSEL	21 Mar 05	Spec ref	-	Scale	4:1	
Chr	H VAN WOENSEL	21 Mar 05	Material	SEE NOTES	ECN	-	
Appr	H VAN WOENSEL	21 Mar 05					
title				AirMax VS R.A.Recpt		dwg no	10035754
				Ass'y, 4 pair, 120 pos, 10 IMLA, 20 mm		Rev.	3
catalog no				CUSTOMER COPY		sheet 1 of 2	

Tous droits strictement réservés. Reproduction ou communication o des tiers interdite sous quelque forme que ce soit sans autorisation écrite du propriétaire. Propriété de FCI. Droits de reproduction FCI.

PART NUMBER	PRESS FIT TAIL PLATING TYPE
10035754-101	TIN/LEAD ALLOY OVER NICKEL
10035754-101LF	LEAD FREE



SEE DETAIL A

RECOMMENDED PCB LAYOUT
FOR DIFFERENTIAL APPLICATIONS
COMPONENT SIDE
(TWO ADJACENT FOOTPRINTS SHOWN)

NOTES:

- CONNECTOR MATERIALS:
HOUSING & RETAINER: HIGH TEMP THERMOPLASTIC, NATURAL, UL94V-0
IMLA PLASTIC: HIGH TEMP PLASTIC, BLACK, UL94V-0
CONTACT: COPPER ALLOY
- CONTACT PLATING:
SEPARABLE INTERFACE: GOLD OVER NICKEL
PRESS-FIT TAILS: SEE TABLE
- PRELIMINARY PRODUCT SPECIFICATION: T.B.D.
- PRELIMINARY APPLICATION SPECIFICATION: T.B.D.
- PRODUCT MARKING, (PARTNUMBER & LOT CODE), ON THIS SURFACE
- THERE IS NO GROUND BUSSING WITHIN THE CONNECTOR SYSTEM.
- SEE CUSTOMER DRAWING 10045979 FOR INFORMATION ON PCB HOLE DIAMETER AND PLATING OPTIONS.
- THIS PRODUCT MEETS EUROPEAN UNION DIRECTIVES AND OTHER COUNTRY REGULATIONS AS DESCRIBED IN GS-22-008.
- THE HOUSING WILL WITHSTAND EXPOSURE TO 260 °C PEAK TEMPERATURE FOR 40 SECONDS IN A CONVECTOR, INFRA-RED OR VAPOR PHASE REFLOW OVEN.

All rights strictly reserved. Reproduction or issue to third parties in any form whatever is not permitted without written authority from the proprietor. Property of FCI. Copyright FCI.

FCI		www.fciconnect.com		tolerance ISO 406 ISO 1101	projection MM
Dr	H VAN WOENSEL	21 Mar 05	Product family	AirMax VS(fm)	size A3
Eng	H VAN WOENSEL	21 Mar 05	Spec ref	-	Scale 3:1
Chr	H VAN WOENSEL	21 Mar 05	Material	SEE NOTES	ECN
Appr	H VAN WOENSEL	21 Mar 05			
title AirMax VS R.A.Recpt			dwg no 10035754		Rev. 3
Ass'y, 4 pair, 120 pos, 10 IMLA, 20 mm			CUSTOMER COPY		sheet 2 of 2
catalog no					