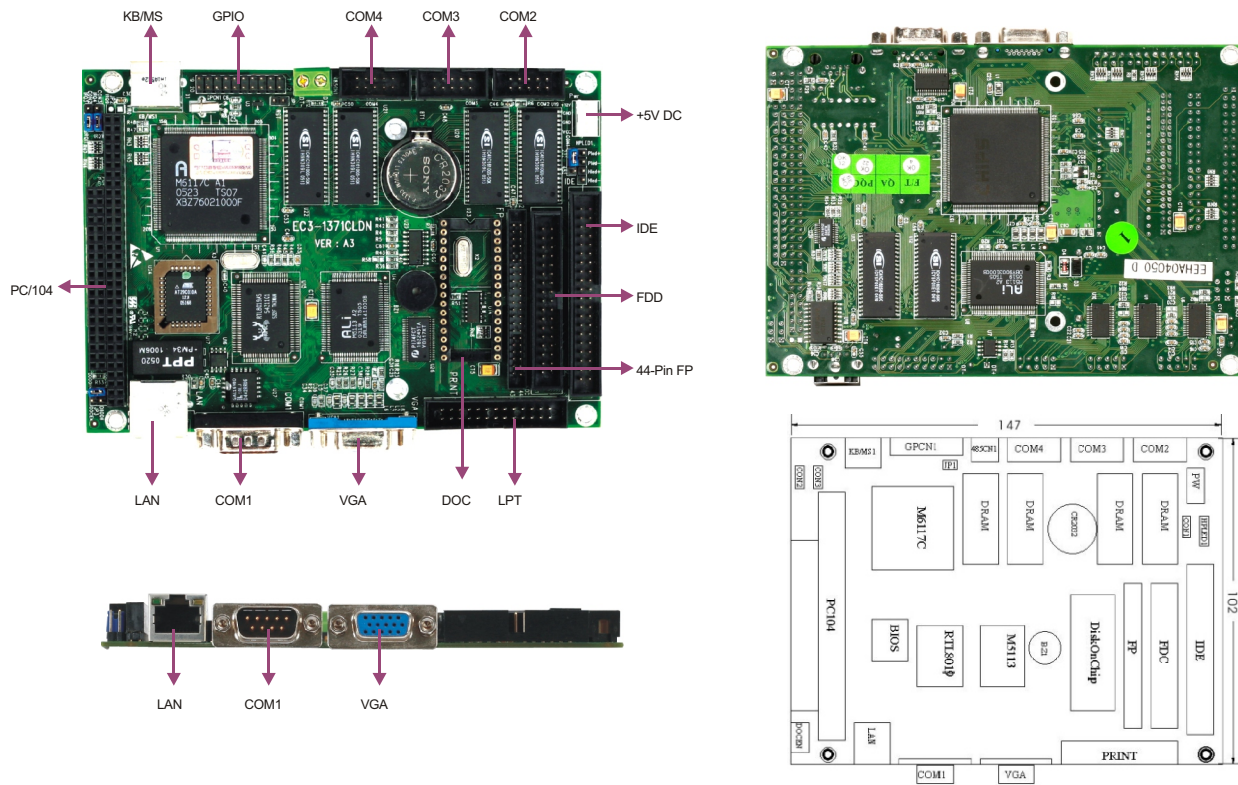


EC3-1371CLDN

3.5" Wide Temperature 386-Level SBC with CPU/Memory/LCD/VGA/DOC/LAN/4COM



Features

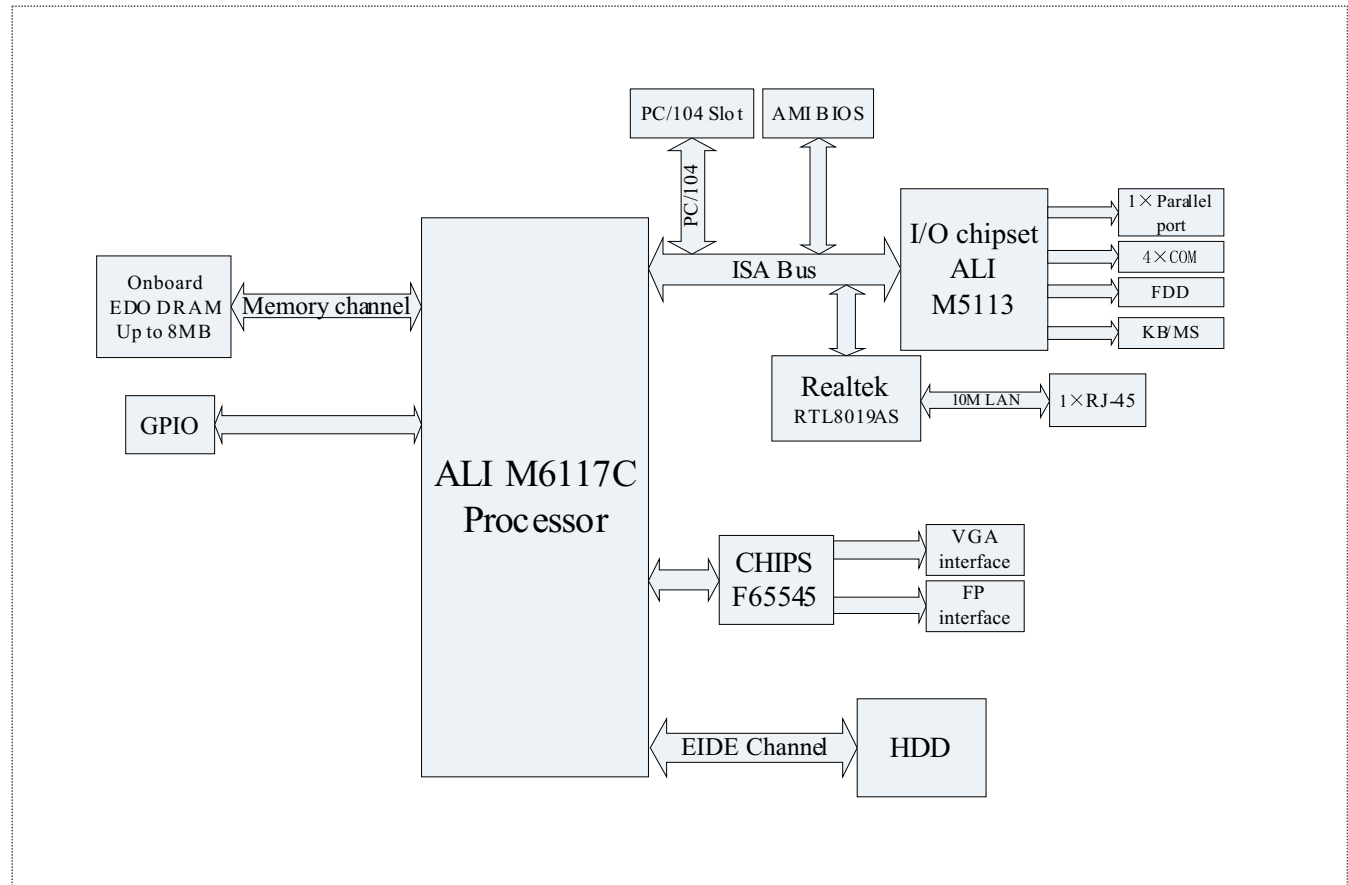
- 3.5" wide temperature 386-level SBC with PC/104 expansion bus
- Onboard M6117C-40MHz Embedded CPU
- Onboard 4/8MB EDO DRAM system memory
- Supports DSTN/MONO LCD
- Supports 1 x IDE, 1 x FDD, 1 x LPT, 4 x COM, 1 x DOC, 1 x VGA, 1 x LCD

Specifications

System	
Processor	Onboard ALI M6117C-40MHz CPU, compatible with Intel 386SX CPU
Chipset	ALI M5113 I/O Chipset
Memory	Onboard 4/8 (optional) MB EDO DRAM system memory
Hardware Monitor	N/A
Watchdog Timer	1~255 sec./min. timer system reset or interrupt, setup by software
Expansion Interface	1 x PC/104
Storage	
IDE	1 x 40-pin Ultra ATA33/66/100 interface
Serial ATA	N/A
Floppy	1 x FDD
CF	N/A
DOC/DOM	1 x 32-pin DOC
I/O Interface	
USB	N/A
Serial Port	1 x RS-232/485, 3 x RS-232, available interface of 1 x DB9 and 3 x 10-pin header onboard
Parallel Port	1 x LPT
IrDA	N/A
GPIO	1 x 20-pin connector
Audio	N/A

Display	
Chipset	CHIPS F65545 display controller
Memory	1MB video memory
Resolution	CRT mode up to 800 x 600@8bpp LCD mode up to 800 x 600@8bpp
Dual Display	Supports CRT+ LCD synchronous display
Ethernet	
Chipset	Realtek RTL8019AS, compatible with NE2000
Speed	10Mbps
Connector	1 x RJ45
Mechanical and Environmental	
Dimensions	147mm x 102mm
Operating Temperature	-40°C~85°C
Storage Temperature	-40°C~85°C
Operating Humidity	5%-90%, non-condensing
Power	
Power Supply	Single +5V power supply (typical value 5V/0.8A)
Power Consumption	Typical 4.29W (Intel386SX 40MHz processor, 8MB memory)
Operating System	
Windows OS	DOS/Windows 95
Embedded OS	Linux

Board Diagram



Available Accessories

Part Number	Name	Description	Qty.
—	Driver CD/Protective film/RoHS	EC3-1371CLDN	1
—	User's Manual/RoHS	EC3-1371CLDN	1
2330-000041	Jumper/RoHS	2.54mm pitch, blue	6
2331-002251	Pin header/RoHS	2x20 Pin, 2.54mm pitch, two sides of equal length: 6+6mm	1
2331-002261	Pin header/RoHS	2x32 Pin, 2.54mm pitch, two sides of equal length: 6+6mm	1
2331-002421	Socket/RoHS	PC104 2x32 Pin long socket, plastics height: 8.5mm, pin height: 5.65mm	1
2331-002561	Socket/RoHS	PC104 2x20 Pin long socket, plastics height: 8.5mm, pin height: 5.65mm	1
2360-005031	Y-cable for keyboard and mouse/RoHS	One Mini-DIN port to two PS/2 ports, length: 250mm/RoHS	1
2360-009031	Parallel flat cable/RoHS	34P/Floppy disk/Data/Cable/200/350	1
2360-009081	Parallel flat cable/RoHS	40P/Hard disk/Data/Cable/DMA33/150/350	1
2360-009931	Serial port with bracket cable/RoHS	DB9 connector to 2x5 Pin, length: 265mm/RoHS	2
2360-009941	Parallel and serial port cable with bracket/RoHS	DB25 connector to 2x13 Pin, DB9P connector to 10-pin (2x5)/RoHS	1
2391-002141	Nut/RoHS	M3/GB-T6170-1986/nickel plating	4
2391-004631	Copper hex bolts/RoHS	M3x25-4/CH-M3-25-4-Ni	4

Related Product

Item	Typical Recommendation
PC/104 Expansion Card	104-8COM, 104-32ADT, 104-64IO, 104-4LAN
Power Supply	AT or ATX

Ordering Information

Part Number	Model Number	Description
0030-006221	EC3-1371CLDN	Motherboard/RoHS
0030-006220	EC3-1371CLDN	Motherboard
0030-005440	EC3-1371CLDN/Conformal coating	Motherboard/Conformal coating
0030-005441	EC3-1371CLDN/Conformal coating	Motherboard/RoHS/Conformal coating