

d<sup>1</sup>

design.

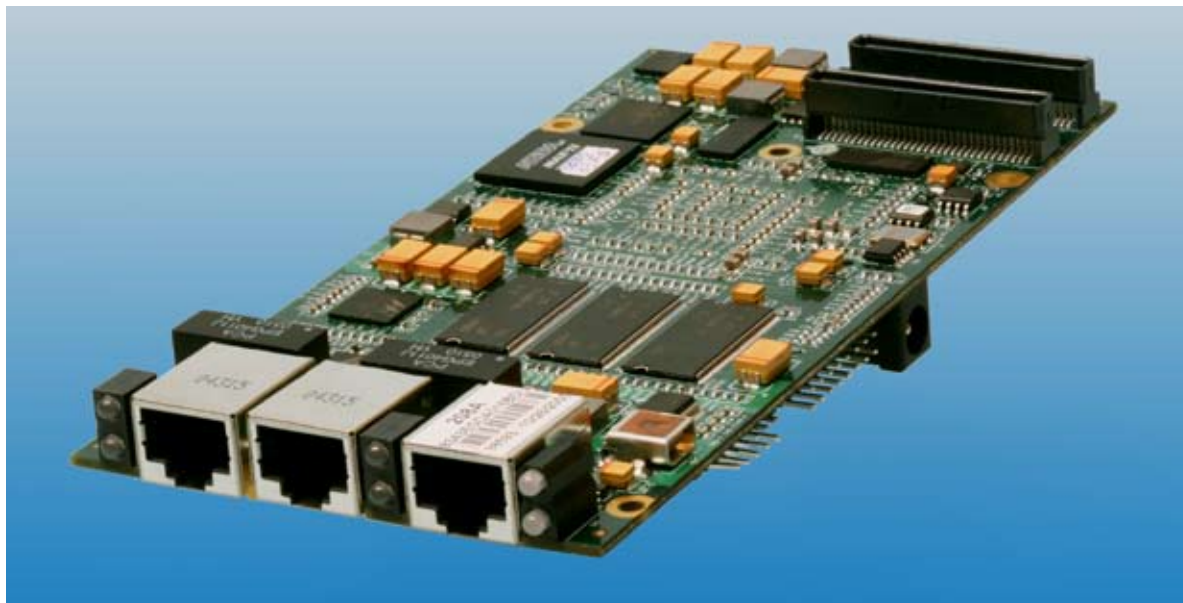
d<sup>2</sup>

develop.

d<sup>3</sup>

deploy.

## Embedded Planet EP8343M



### Features:

- Freescale PowerQUICC II Pro 8343E up to 400MHz
- Can operate as Stand Alone module or PrPMC/PT1MC monarch or non-monarch
- DDR SDRAM up to 256MB
- FLASH up to 256MB
- NVRAM up to 1MB
- Two 10/100/1000BaseT Ethernet
- Two RS-232 serial ports
- 32-bit, 33/66MHz PCI 2.2 bus
- USB 2.0 Host/Device/On-The-Go
- Debug COP/JTAG
- Serial EEPROM I2C
- Serial temperature I2C
- Serial RTC I2C
- Dipswitch 4-position slide switch
- BCSR Control and Status Registers
- 5.25 to 3.0 VDC single power supply source
- Operating Range 0° C to 70° C, Extended Range -40° C to 85° C available

### Flexible Single Board Computer

The EP8343M PPMC/Stand Alone single board computers take advantage of the Freescale MPC8343E PowerQUICC II Pro PowerPC processors. By integrating all of the features of the PowerPC into a production ready embedded development system, the EP8343M reduces Time-To-Market and increases product reliability for Communications, Military/Aerospace, Medical, and Industrial applications.

### Product Options

Single Board Computer includes a cable kit, power supply, and CD with complete documentation. Board Development Kit includes processor bus breakout debug boards, PDF schematics, and support. Design Kits are available with schematic and firmware source. Embedded Planet provides customization and integration services. Production board population options can be configured to match customer requirements.

**design.**

The next generation of connected devices.

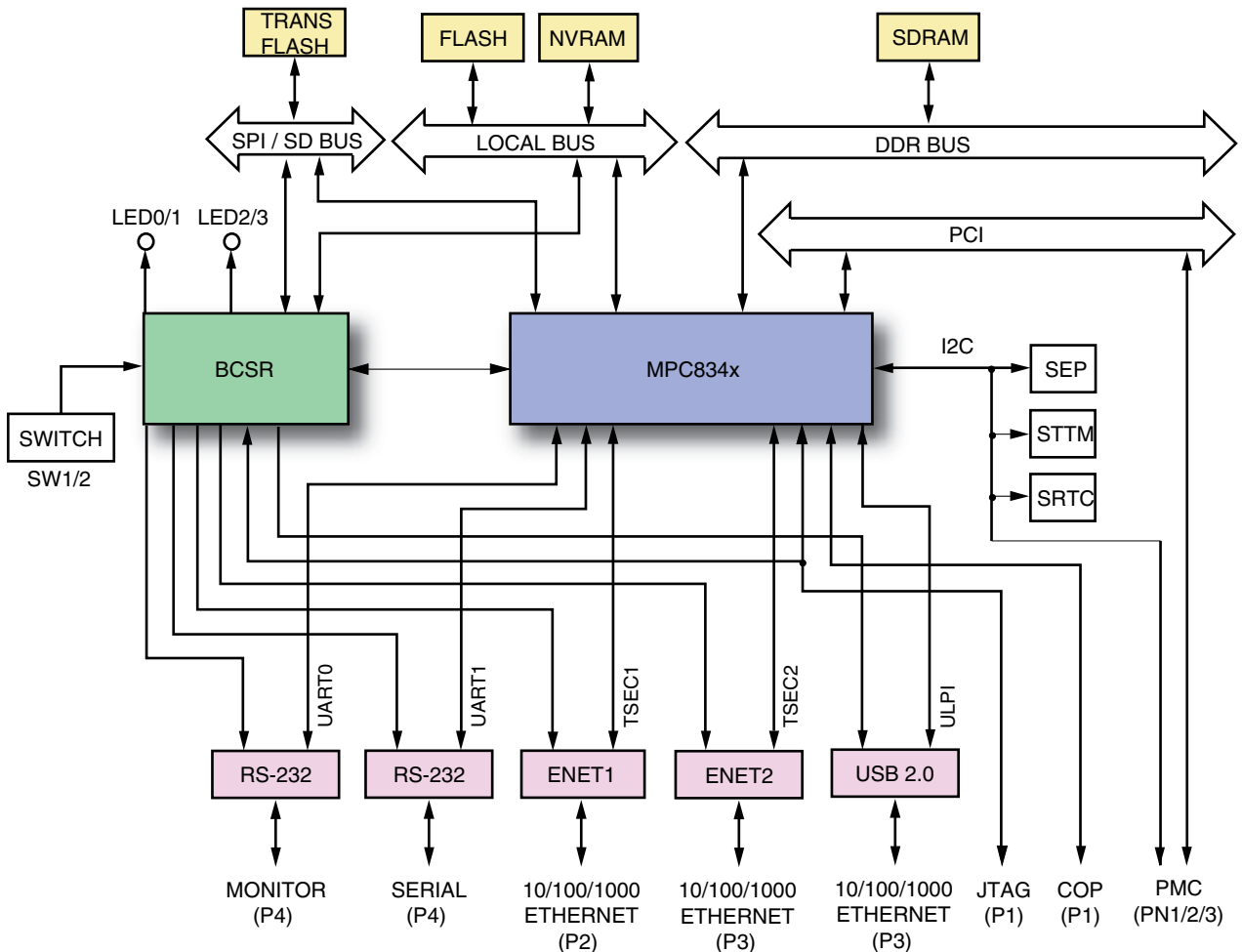
**develop.**

Your products based on our platform.

**deploy.**

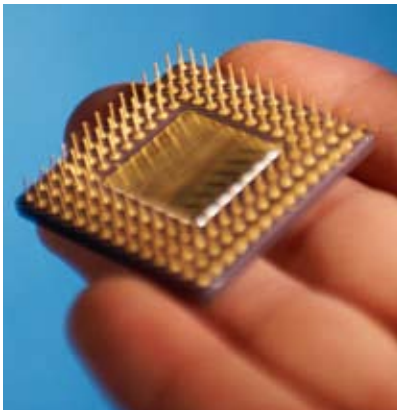
Your solution faster.

## Block Diagram



T00265A

## Let Us Do The Heavy Lifting



- Embedded Planet offers a complete set of software and hardware training and customization services to go along with our Off-the-Shelf solutions.
- Our training classes in Linux, VxWorks, and Eclipse can help your engineering team shrink their time-to-productivity and help ensure higher quality products.
- Our custom diagnostics tools, Eclipse applications, U-Boot porting, Linux, Green Hills INTEGRITY, and VxWorks BSPs and applications can extend your engineering team and shrink your time to market.
- Contact Embedded Planet to find out how our Professional Services Division can accelerate your project.

This material is the copyright of Embedded Planet 1997-2006. Embedded Planet is a registered Trademark. Other company and product names may be trademarks of their respective owners. Product specifications subject to change without notice.

Contact Embedded Planet sales:  
[www.embeddedplanet.com](http://www.embeddedplanet.com) or  
 email [info@embeddedplanet.com](mailto:info@embeddedplanet.com)  
 phone (216) 245-4180