

DG-32240

GRAPHIC LCM 320 X 240 Dots

MECHANICAL DATA

- Module Size : 167.1(W) x 109.0(H) x 10.0 (T) (mm)
- Viewing Area : 122.0(W) x 92.0(H) (mm)
- Dot Pixels : 320 x 240 (dots)
- Dot Size : 0.33 x 0.33 (mm)
- Dot Pitch : 0.36 x 0.36 (mm)

ABSOLUTE MAXIMUM RATINGS

Item	Symbol	Standard Value			Unit
		Min	Typ.	Max.	
Supply Voltage for Logic	V _{dd-VSS}	0	--	6.5	V
Supply Voltage for LCD Drive	V _{dd-Vee}	0	--	27.5	V
Input Voltage	V _I	V _{SS}		V _{DD}	V
Operation Temperature	T _{opr}	0		50	°C
Storage Temperature	T _{stg}	-20		70	°C

ELECTRICAL CHARACTERISTICS

Item	Symbol	Condition	Standard Value			Unit
			Min	Typ.	Max.	
LCD Supply Voltage	V _{DD-VSS}	25°C	4.5	5.0	5.5	V
LCD Driver Circuit Power	V _{DD-VEE}	25°C	20.0	21.8	23.0	V
Supply Voltage						V
Input Voltage	V _{IH}	High Level	0.7 x V _{DD}	--	V _{DD}	V
Input Voltage	V _{IL}	Low Level	0	--	0.7 x V _{DD}	V
Supply Current (Logic)	I _{DD}	V _{DD} = 5.0V V _{EE} = 22.0V	--	7.0	--	mW
Supply Current (Logic)	I _{EE}	V _{DD} = 5.0V V _{EE} = 22.0V	--	6.0	--	mA

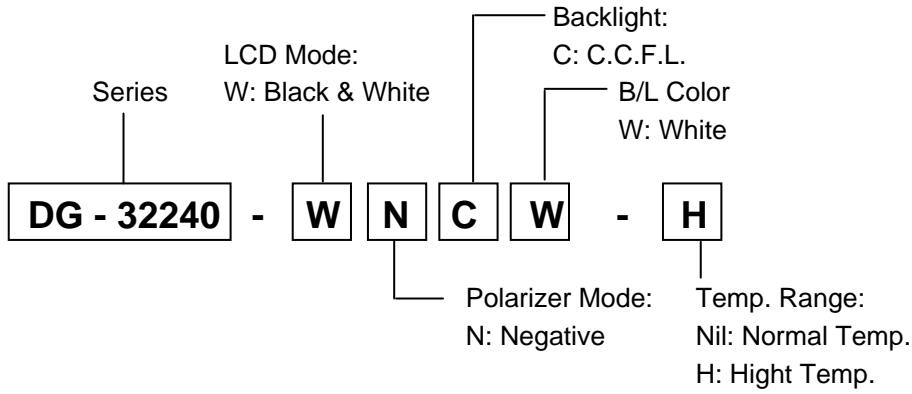
PIN ASSIGNMENT

No.	Symbol	Level	Function	No.	Symbol	Level	Function
1	UD0	H/L	Display Data	8	LOAD	H => L	Data Latch
2	UD1	H/L	Display Data	9	CP	H => L	Data Shift
3	UD2	H/L	Display Data	10	VDD	--	Power Supply for Logic
4	UD3	H/L	Display Data	11	VSS	--	GND
5	DISP OFF	H/L	H: ON L: OFF	12	VEE	--	Power Supply for LCD
6	FRAME	H/L	Fisrt Line Market	13	V ₀	--	Operating Voltage LCD Driving
7	NC	--		14	FGRD	--	Front Panel Ground

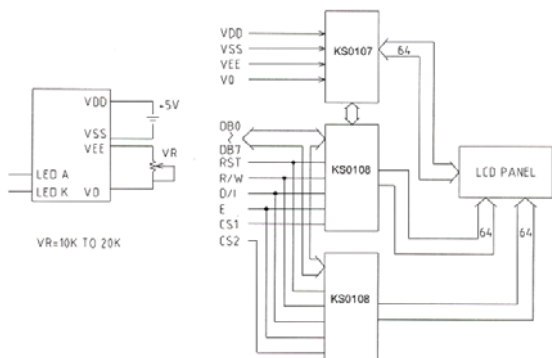
OPTION

LCD Type							Backlight Type			Touch Panel	Built-in Control LSI	
S1	S2	W	N	R	F	M	H	EL	LED	CCFL		
		•	•	•	•		•			•		--

ORDERING INFORMATION



BLOCK DIAGRAM



EXTERNAL DIMENSIONS

