

USPIIe Compact PCI Single Board Computer



Hot-swappable cPSB Compliant 650 MHz UltraSPARC IIe Performance

The USPIIe-cPCI™ is a cPCI-based single-board computer that builds on Themis' highly successful USPIIe product base. Themis Computer combined its USPIIe technology with new CompactPCI® (PSB) standards to provide Solaris users the next generation solution for their demanding applications.

Second Generation UltraSPARC Performance on CompactPCI

Themis' USPIIe-cPCI 6U form factor cPCI single-board computer features a full set of I/O, including a PMC expansion slot, in a single-slot cPCI form factor. The USPIIe-cPCI will support up to seven peripheral slots on a cPCI compliant 64-bit/ 33MHz/5V expansion bus.

The USPIIe-cPCI is a cPCI backplane/midplane (cPSB) control processor that complies with PICMG 2.0 R3.0 cPCI specification, PICMG 2.1 R1.0 cPCI Hot Swap Specification, and meets the requirements set forth in the PICMG 2.16 D0.9.1 cPCI Packet Switching Backplane (PSB) specification.

The USPIIe-cPCI provides new levels of performance and features to UltraSPARC SBCs. Now users have an ideal solution for voice-over-IP (VoIP), third generation wireless and switch-fabric applications.

USPIIe-cPCI Features

- 550/650 MHz Ultra-IIe Processor, 256KB L2 Cache
- Up to 2GB of SDRAM Memory
- 2 MB Boot Flash and 8 MB User Flash
- 2x 10/100 Mb/s Ethernet channels
- 4x Serial channels (2x RS-232, 2x TTY)
- Bi-Directional Parallel Port
- Two-level Under Voltage / Over Temperature Monitoring
- Keyboard & Mouse Ports (PS/2 or USB)
- 2x Ultra2 LVD SCSI channels (80MB/s transfer rate each)
- PMC Slot (64-bit/33 MHz)
- 4x USB Ports (2 front and 2 rear ports)
- AC-97 Audio Port
- RTC-TOD/8K NVRAM

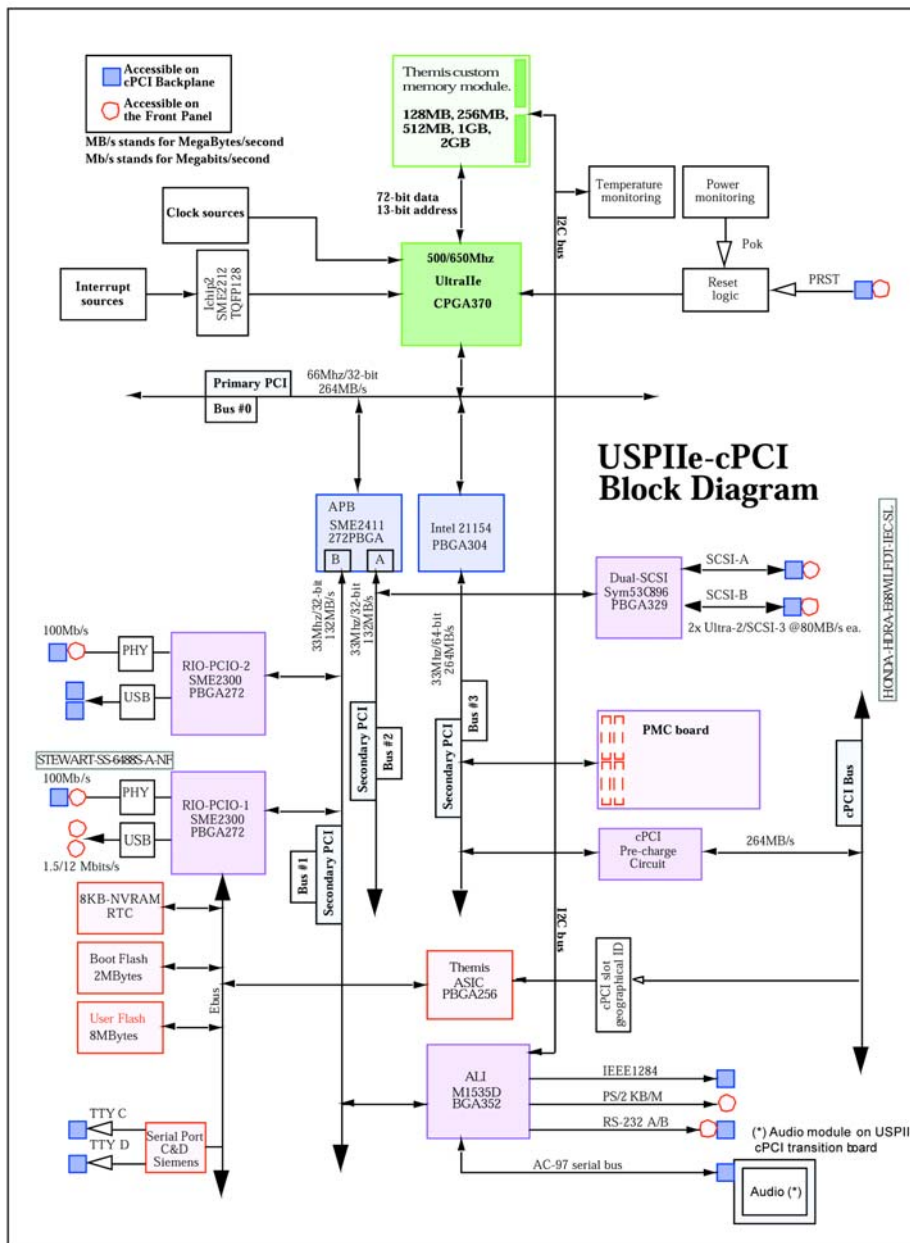
Specifications

- 6U Single-slot cPCI Form Factor
- PCI Interface (cPCI and PMC) – 64-bit/33MHz
- Front panel I/O includes the following interface connectors:
 - 2x Ethernet ports (8-pin RJ45)
 - 2x RS-232 Serial ports (9-pin hi-density mini-D type)
 - 2x 80MB/sec Ultra2 LVD SCSI ports
 - 1x Keyboard/Mouse ports, PS/2 or USB type (8-pin circular mini-DIN)
- Solaris 8 Operating Environment Support
- Shock (Operating): up to 30 G @ 20 ms
- Vibration (Operating): 0.5g from 4 – 50Hz
(Non-Operating) 1.0g from 4 – 50Hz
- Temperature Range (Operating): 0 - 55°C
- Temperature Range (Non-Operating): -40 - 85 °C
- Humidity: 10 – 95% non-condensing
- Power Reqs.: +5V (± 5%) @ 5.4 Amps maximum
- Power Consumption (base): 22 Watts
- Power Consumption (with PMC): 27Watts
- Dimensions (HxD): 6U 9.173" (233mm) x 6.299" (160mm)
- Weight: approx. 1.34 lbs. (weights vary by board configuration)

Complies with PICMG 2.0 R3.0 cPCI Specifications

Complies with PICMG 2.1 R1.0 cPCI Hot Swap Specifications

Meets PICMG 2.16 D0.9.1 cPCI Packet Switching Backplane requirements



Part Numbers USPIIe-cPCI/AAAA-BBB-C

AAAA = Memory
 0256 = 256MB RAM
 0512 = 512MB RAM
 1024 = 1024MB RAM
 2048 = 2048MB RAM

C = Keyboard

P = PS/2
S = USB

BBB = Frequency
 550 = 550MHZ
 650 = 650MHZ

Ejector Type

VME64 with cPCI type latches

I/O Transition Module with cables INT-KIT-USPIIe-cPCI

THEMIS

Themis
 47200 Bayside Parkway
 Fremont, CA 94538
 Tel: 510-252-0870
 Fax: 510-490-5529
 Email: info@themis.com
www.themis.com

Themis Europe Sales Office
 5 rue Irène Joliot-Curie
 38320 Eybens, France
 Tel: +33.476.14.77.86
 Fax: +33.476.14.77.89
 Email: europe_sales@themis.com



Themis, the Themis logo, and USPIIe are trademarks or registered trademarks of Themis Computer. Sun, Sun Microsystems, the Sun logo, and Solaris are trademarks or registered trademarks of Sun Microsystems, Inc. in the United States and other countries. UltraSPARC, the ULTRASPARC Driven logo, and SPARC trademarks are used under license and are trademarks or registered trademarks of SPARC International, Inc. in the United States and other countries. Products bearing SPARC trademarks are based upon an architecture developed by Sun Microsystems, Inc.