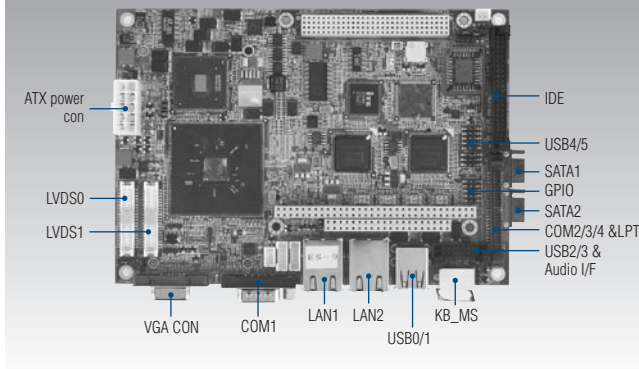


# PCM-4372

## Onboard VIA Eden™ EPIC CPU Module

**NEW**



## Specifications

### General

- **CPU** Embedded VIA Eden processor
- **System Chipset** VIA CX700
- **BIOS** AWARD® 4 Mbit Flash BIOS
- **System Memory** 200-pin SODIMM socket, support Double Data Rate (DDR2) 128 MB to 1 GB, accept 128/256/512/1 GB DDR 400/533 DRAM
- **Power Management** APM1.2, ACPI support
- **SSD** Supports CompactFlash® Card TYPE I/II (shared 1st IDE Channel)  
USB memory, uDOC (Optional)
- **Watchdog Timer** Single chip Watchdog 255-level interval timer, setup by software
- **Expansion Interface** Supports 8/16 bit ISA bus for standard PC/104 device (ITE 8888g), PC/104-Plus
- **Battery** 2-pin wafer box for external Battery on board

### I/O

- **I/O Interface** 1 x EIDE (UDMA 33), 1 x K/B, 1 x KB/mouse, 3 x RS232, 1 x RS232/422/485, 1 x LPT
- **USB** 6 x USB 2.0 compliant Ports (2 ports on board connector, 4 ports pinhead)
- **Audio** CX700 HD 3D surround stereo sound  
Supports Line-in, Line-out, Microphone-in (with PCM-410 option)
- **IrDA** N/A
- **GPIO** 8-bit general purpose input/output

### Ethernet

- **Chipset** Intel 82551, 82541PI (Gigabit for optional)
- **Speed** 10/100 Mbps
- **Interface** 2 x RJ45
- **Standard** IEEE 802.3u 100Base-T

### Display

- **Chipset** VIA CX700 chip integrated. (Extreme Graphics 2)
- **Memory Size** Optimized Shared Memory Architecture, supports up to 64 MB frame buffer using system memory

## Features

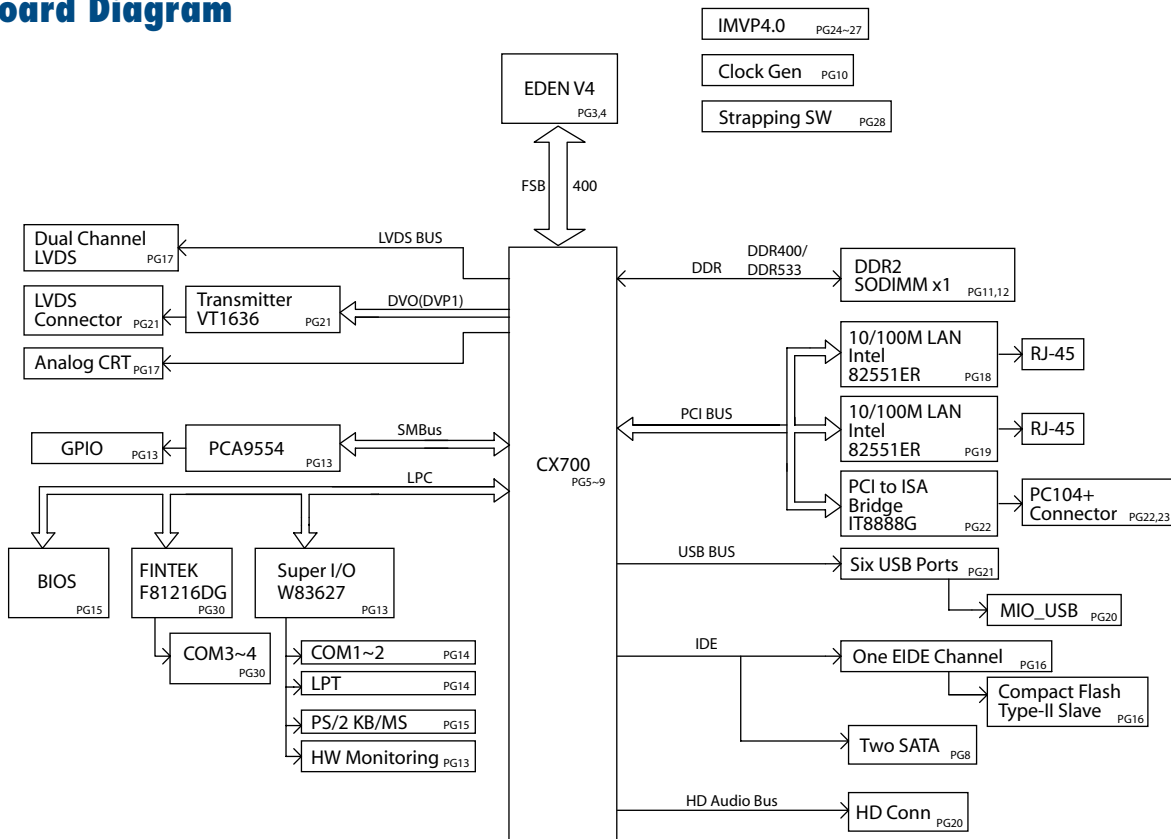
- EPIC form factor (115 mm x 165 mm)
- Embedded VIA Eden™ Processor on board and support for PC/104-Plus bus
- SODIMM socket supports up to 1GB DDR SDRAM (optional)
- Display Combination: CRT + LVDS, LVDS + LVDS
- Support four COM & six USB 2.0 ports
- Dual 10/100 Mbps PCI Ethernet interface
- Support Compact Flash/uDOC (option)

- **Resolution** CRT Display mode: pixel resolution up to 1600 x 1200 at 85-Hz and 2048 x 1536 at 75-Hz  
LCD Display mode: Dual channel LVDS panel supports up to UXGA panel resolution with frequency range from 25 MHz to 112 MHz
  - **LCD Interface** 2 Channel  
1 x 24/48-bit LVDS  
1 x 24/48-bit LVDS
  - **LVDS** Two Hirose connectors support up to 2 channel LVDS LCD Panel
  - **Dual Independent** CRT + LVDS, LVDS + LVDS
- ### Mechanical and Environmental
- **Dimension (LxW)** 115 x 165 mm (4.5" x 6.5")
  - **Weight** 0.85 kg (weight of total package)
  - **Operating Temperature** 0 ~ 60° C (32 ~ 140° F)
  - **Operating Humidity** 0% ~ 90% relative humidity, non-condensing
- ### Power
- **Power Supply Voltage** AT/ATX, +5 V ± 5%, +3 V ± 5%, 5VSB ± 5%, ±12 V ± 5% (Optional)
  - **Power Consumption** (VIA Eden ULV 1.0 GHz with 256 MB DDR2 333)  
Max: 1.83 A @ 5 V, 0.12 A @ 12 V, 0.52 @ 3.3 V

## Packing List

- 1 x **PCM-4372 SBC**
- 1 x **Mini Jumper Pack** (p/n:9689000002)
- 1 x **Startup Manual**
- 1 x **Utility CD**
- 1 x **3 COM and LPT cable** (p/n:1700002034)
- 1 x **ATX power cable** (p/n:1700002055)
- 1 x **6P-6P-6P PS/2 KB/MS** (p/n:1700060202)
- 1 x **USB cable for 2.3 port** (p/n:1703100121)
- 1 x **IDE cable** (p/n:1701440504)
- 1 x **SATA cable** (p/n:1700071000)
- 1 x **RS422/485 cable** (p/n:1703040157)
- 1 x **USB CABLE 2 ports/10pin-2.0MM (CN27)** (p/n:1700001267)
- 1 x **USB CABLE 20 Pin to 2 Port L=30CM PCM-43series (CN18)** (p/n:1700004891)
- 1 x **AT power cable** (p/n:1700003931)

## Board Diagram



## Ordering Information

Number	CPU	L2 cache	Chipset	10/100	LVDS	USB2.0	COM	GPIO	LPT	SATA	CF	USB-DOM	Audio	PC/104-plus	Operation Temp.
PCM-4372F-S0A1E	VIA Eden 1.0 GHz	1 MB	CX700	2	2 channel 36/48-bit	6	4 ports	8	1	2	Yes	--	Optional	Yes	0 ~ 60° C
PCM-4372U-S0A1E	VIA Eden 1.0 GHz	1 MB	CX700	2	2 channel 36/48-bit	6	4 ports	8	1	2	--	Yes	Optional	Yes	0 ~ 60° C
PCM-4372F-J0A1E	VIA Eden 400 MHz	512 KB	CX700	2	2 channel 36/48-bit	6	4 ports	8	1	2	Yes	--	Optional	Yes	0 ~ 60° C
PCM-4372F-M0A1E	VIA Eden 600 MHz	512 KB	CX700	2	2 channel 36/48-bit	6	4 ports	8	1	2	Yes	--	Optional	Yes	0 ~ 60° C

### Optional Accessories

- **PCD-USBH11-MS0256** USB-DOM, 256 MB, -40 ~ 85° C
- **PCD-USBH11-MS0512** USB-DOM, 512 MB, -40 ~ 85° C
- **PCD-USBH11-MS1024** USB-DOM, 1 GB, -40 ~ 85° C
- **PCD-USBH11-MS2048** USB-DOM, 2 GB, -40 ~ 85° C
- **PCM-410B-00A1E** HD Audio/USB module for PCM-4372/4390
- **PCM-410C-00A1E** COM/LPT daughter board for EPIC