

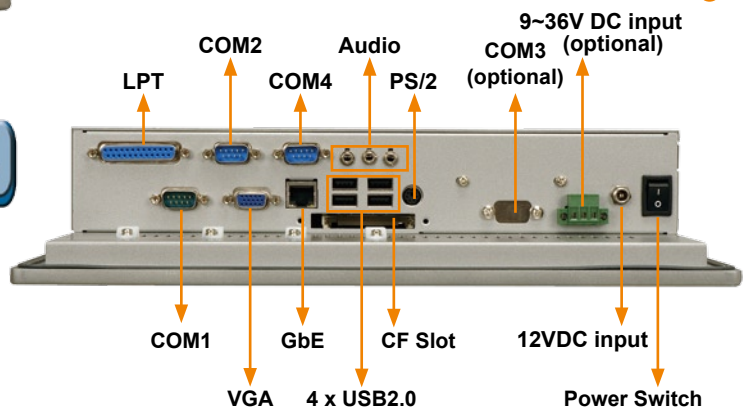
PPC-3712GS *Pentium® M / Celeron® M Panel PC with 12.1" TFT LCD and Touchscreen*



Feature

- 12.1" LCD with 7.34cm thickness design panel PC.
- Low Power, Intel® Pentium® M / Celeron® M CPU upto 2.1GHz for socket type
- Onboard ULV Celeron® M 1GHz zero cache CPU for BGA typ
- Nano-8522G Pentium® M/Celeron® M industrial main board
- DDR 266/200 SO-DIMM memory upto 1GB
- Aluminum Die Casting front panel with IP65
- Gigabit Ethernet support

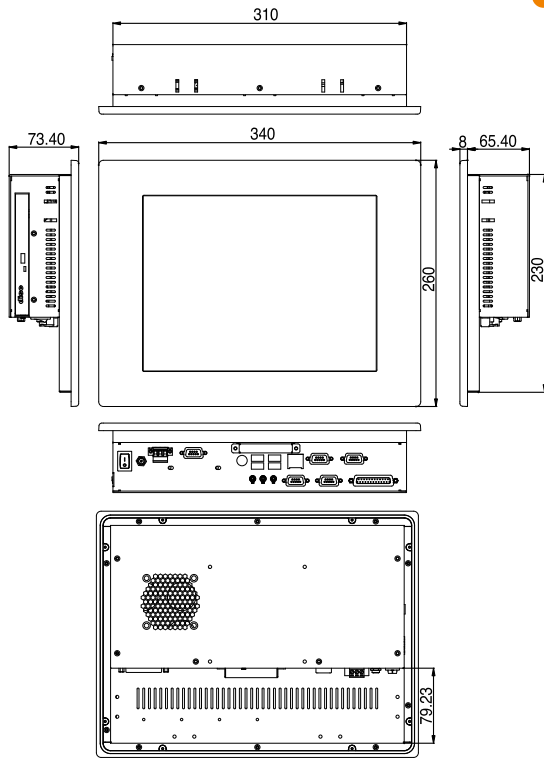
Fully Integrated I/O



Specification

CPU Board	NANO-8522	Touch Screen	Optional 5-wire resistive type with RS-232 interface.
CPU	- Socket-479 based Intel® Pentium® M / Celeron® M support FSB 400 MHz up to 2.1GHz - On board Intel® Celeron® M 1GHz / 800MHz zero cache	LCD	- Resolution :800 x 600 (SVGA) - Brightness : 400 cd/m2 - Contrast Ratio : 500:1 - Viewing Angle (H-V):140/110 - Backlight MTBF : 50000hrs
Chipset	Intel® 852GM + ICH4	Operating Temperature	0 ~ 50°C.
Memory	1 x DDR 266/200 SO-DIMM socket up to 1GB	Storage Temperature	-20 ~ 60°C.
VGA	Intel® 852GM support dual display	Vibration	- 5~17Hz 0.1" double amplitude displacement - 17~640 Hz 1.5G acceleration peak to peak
SSD	CF Type II	Shock	10G acceleration peak to peak. (11ms)
Drive Bay	-1 x 2.5" SATA/IDE HDD bay with Anti-shock	Relative Humidity	5 ~ 95% @ 60°C, non-condensing
Ethernet	-Intel® 82541 Gigabit Ethernet controller -Intel® 82551ER 10/100 Mbps Ethernet controller	Net / Gross Weight	6/8 Kg
Audio	AC '97 2.3 Realtek ALC 655	Dimensions	340(w) x 260(H) x 73.4(D)mm
I/O	- 1 x RS-232/422/485 port - 3 x RS-232 ports(optional for touch screen) - 4 x USB 2.0 ports - 1 x PS/2 ports (KB/MS) - 1 x LPT - 1 x VGA out - 1 x LAN - 3 x Audio (Lin-in, Line-out, MIC-in) - 1 x IDE - 2 x SATA	Power Supply	AC adapter for BGA model - 60W, 63000-FSP0601AD101C712-RS - Input: 90 ~ 240VAC@50/60Hz, Output: 12VDC AC adapter for CPU socket 479 model - 80W, 63000-SPU65105-RS - Input: 90 ~ 240VAC@50/60Hz, Output: 12VDC DC/DC converter - 60W, IDD-936160 - Input: 9 ~ 36VDC, Output: 12VDC@5A
Expansion Slot	N/A	Front Panel Protection	IP 65 Complaint
		Certificate	Meets CB-60950-1 / FCC / CCC-GB4943

Dimensions



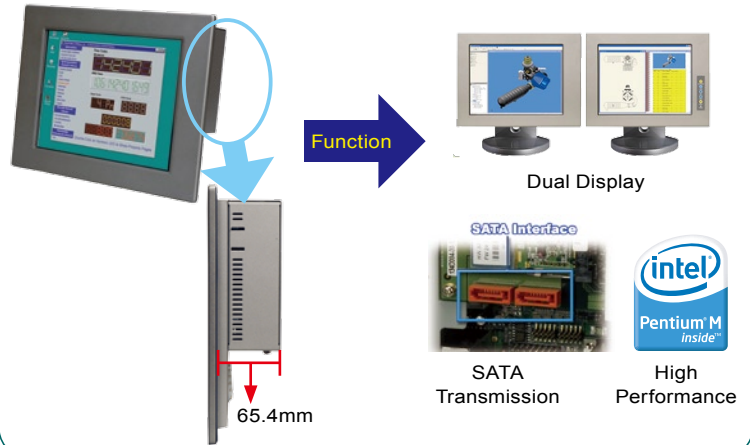
NANO-8522

1. Intel® Pentium® M/Celeron® M CPU with 400MHz FSB
2. CRT/LCD VGA integrated in i852GM, support 36-bit LVDS for independent dual display
3. One DDR 266/200MHz SO-DIMM supports up to 1GB



High performance & Compact size

PPC-3712GS combines advantages of performance and size which allows user set up in a wide range of applications.



Ordering Information

◆ Socket Type

PPC-3712GS/8522	12" TFT Panel PC with NANO-8522 and Silver color,RoHS
PPC-3712GMS/8522	12" TFT Panel PC with NANO-8522,9~36V DC Input and Silver color,RoHS
PPC-3712GS/8522/T-R	12" TFT Panel PC with NANO-8522,Silver color and Touch Screen,RoHS
PPC-3712GMS/8522/T-R	12" TFT Panel PC with NANO-8522,9~36V DC Input,Silver color and Touch Screen,RoHS

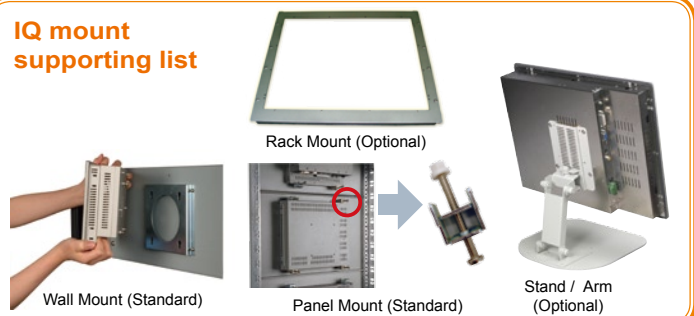
◆ BGA Type

PPC-3712GS/8522-1GZ	12" TFT Panel PC with NANO-8522, ULV Celeron M 1GHz CPU and Silver color, RoHS
PPC-3712GMS/8522-1GZ	12" TFT Panel PC with NANO-8522, ULV Celeron M 1GHz CPU,9~36V DC Input and Silver color,RoHS
PPC-3712GS/8522-1GZ/T-R	12" TFT Panel PC with NANO-8522, ULV Celeron M 1GHz CPU,Silver color and Touch Screen, RoHS
PPC-3712GMS/8522-1GZ/T-R	12" TFT Panel PC with NANO-8522, ULV Celeron M 1GHz CPU,9~36V DC Input,Silver color and Touch Screen, RoHS

Packing List

Part Number	Description	Amount
19B00-000032-RS	CD-ROM Installation Kit	1
32000-000002-RS	Power Cord	1
32000-000138-RS	PS/2 Cable	1
32200-074000-RS	HDD IDE Cable	1
PK-121M	Panel Mounting Kits	1
WK-121MS-R10	Wall Mounting Kits	1
63000-UP0601E12PL51-RS - 60W 63000-SPU65105-RS - 80W	Power Adapter	1
41019-0245J4-00-RS	Panel Mounting Bracket	4
33100-000033-RS	Jumper Pack	1
19600-000207-RS	Screw Kit	1
	User Manual & Driver CD	1
	Touch Screen Driver CD / Touch Pen (For T-R model only)	1

IQ mount supporting list



Options

RK-121MS-R10	Rack mount kits
ARM-11-RS	LCD Monitor Arm
STAND-100-RS	LCD Monitor Stand