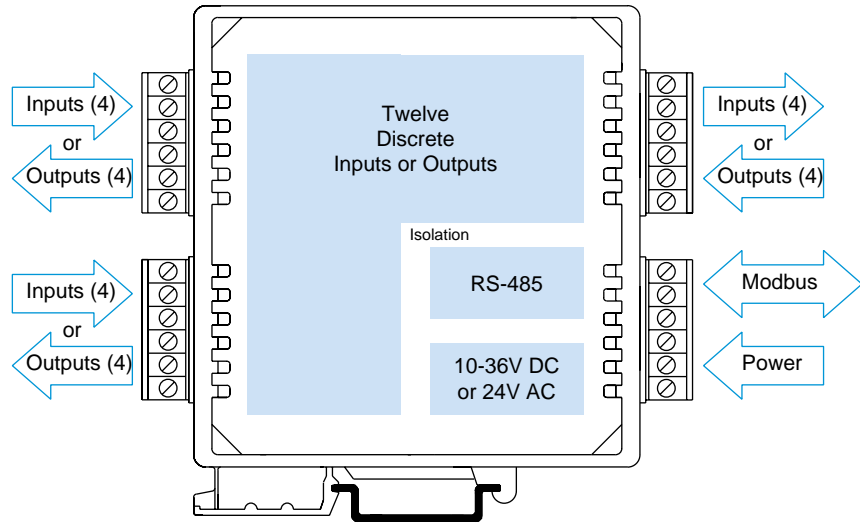




Modbus/RS-485



High-Density Discrete I/O Module



901/902/903MB Multi-Channel Discrete I/O Modules

Active-Low Inputs Sinking Outputs (Low-Side Switching)

Models

- 901MB: 12 input channels
- 902MB: 12 output channels
- 903MB: 12 input/output channels

Input

Twelve input channels (901, 903 models only)
0 to 35V DC

Output

Twelve output channels (902, 903 models only)
0 to 35V DC

Network Communication

Modbus-RTU high-speed RS-485

Power Requirement

10 to 36V DC,
24V AC

Approvals

CE marked. UL, cUL listed
Class I; Division 2; Groups A, B, C, D.

Description

These modules provide twelve discrete input and/or output channels. Isolation separates the I/O, power, and network circuits. Network communication adheres to the industry-standard RS-485 Modbus RTU protocol. Both AC and DC power sources are supported with wide range, nonpolarized, diode-coupled terminals.

The open-drain outputs are intended for current-sinking or low-side switching applications. The buffered inputs are active-low. These models are the complement of the 904, 905, and 906 units which have open-source, high-side output switches and active-high inputs. Socketed pull-up resistors are easily removed or exchanged to satisfy your application requirements.

The 903MB model has twelve input/output points that may be used as inputs or outputs on a bit-by-bit basis. Outputs may be read back to verify output settings.

Combining flexible I/O types, wide I/O ranges, and a network interface in a single package, makes this instrument extremely powerful. Multi-channel design adds cost-efficiency and allows high-density mounting. Plus, safe, rugged construction makes these modules reliable for use in both control room and distributed field I/O applications. Custom module configurations are also possible (consult factory for details).

Special Features

- Standard Modbus RTU protocol with high-speed RS-485 communication (up to 115K bps)
- Twelve I/O channels in a single inch-wide unit reduces system costs and saves panel space
- High-voltage, high-current, open-drain outputs enable direct (low-side) control of external devices
- High-voltage buffered inputs monitor discrete levels from a variety of industrial devices
- Tandem input/output circuitry (903 models only) connects input buffers with open-drain outputs for convenient loopback monitoring of the output state
- Outputs have built-in over-temperature and over-current shut-down protection, plus active clamping circuits for switching inductive loads
- Watchdog timers provide a configurable failsafe output state for use when host I/O communication is lost
- Three-way isolation eliminates potential ground loops between power, I/O, and network circuitry
- Self-diagnostics monitor microcontroller activity to detect operational failures (lock-up) and execute a reset to restore communication



Performance

Discrete Inputs (901 & 903 models only)

Input Type

12 active-low, buffered inputs, with a common connection. Inputs include transient suppression devices and series connected 100K ohm resistors, plus diode over-voltage clamps to the internal +5V supply.

Input Signal Voltage Range

0 to 35V DC, maximum.

Input Current

293µA, typical at 35V DC.

Input Signal Threshold

TTL compatible with 100mV of hysteresis, typical. Low-to-High threshold is 1.7VDC, High-to-Low is 1.6VDC, typical. Limited to TTL levels of 0.8VDC (max. LOW level) and 2.0VDC (min. HIGH level).

Input Resistance

100K ohms, typical.

Input Hysteresis

100mV DC, typical.

Discrete Outputs (902 & 903 models only)

Output Type

12 independent, open-drain, DMOS MOSFET switches with a common source connection that operate as low-side switches.

Output Voltage Range

0 to 35V DC max. (0 to 500mA/channel continuous). External voltage source required.

Output ON Resistance

0.28 ohms maximum.

Output Response Time

Force Single Coil: Output updates within 250µs of receipt of a command.

Force Multiple Coils: First coil updates in 250µs, followed successively by additional coils every 180µs.

General

I/O Pull-ups and Socket

5.6K ohm pull-up resistor SIPs are installed in sockets at each port (four-channels per port).

Excitation (per port)

External excitation voltage for each four-channel port is limited to 35V or less.

Supported Modbus Commands

The command/response protocol for communicating with this module adheres to the Modbus/RTU standard for the following Modbus Functions.

- Read Coil (Output) Status
- Read Input Status
- Read Holding Registers
- Force Single Coil (Output)
- Preset Single Register
- Reset Slave
- Force Multiple Coils (Outputs)
- Preset Multiple Registers
- Report Slave ID

LED Indicators

LEDs indicate power, status, and discrete level.

Power Requirements

10 to 36V DC,
22 to 26V AC.

Supply Current

Supply	Current Draw
10V DC	80mA maximum
24V DC	40mA maximum
24V AC	70mA rms maximum

Isolation

1500V AC for 60 seconds or 250V AC continuous. 3-way isolation between I/O, network, and power circuits.

Ordering Information

Models

901MB-0900

Discrete input module

902MB-0900

Discrete output module

903MB-0900

Discrete input/output module

Accessories

900C-SIP

Configuration Software Interface Package (includes software CD-ROM for Windows, RS-232/485 converter, and RS-485/three-wire cable)

5034-225

USB-to-RS232 adapter. See page 41 for more info.

TBK-B02

Optional terminal block kit, barrier strip style, 4 pcs.

TBK-S02

Optional terminal block kit, spring clamp style, 4 pcs.

P55R-D24

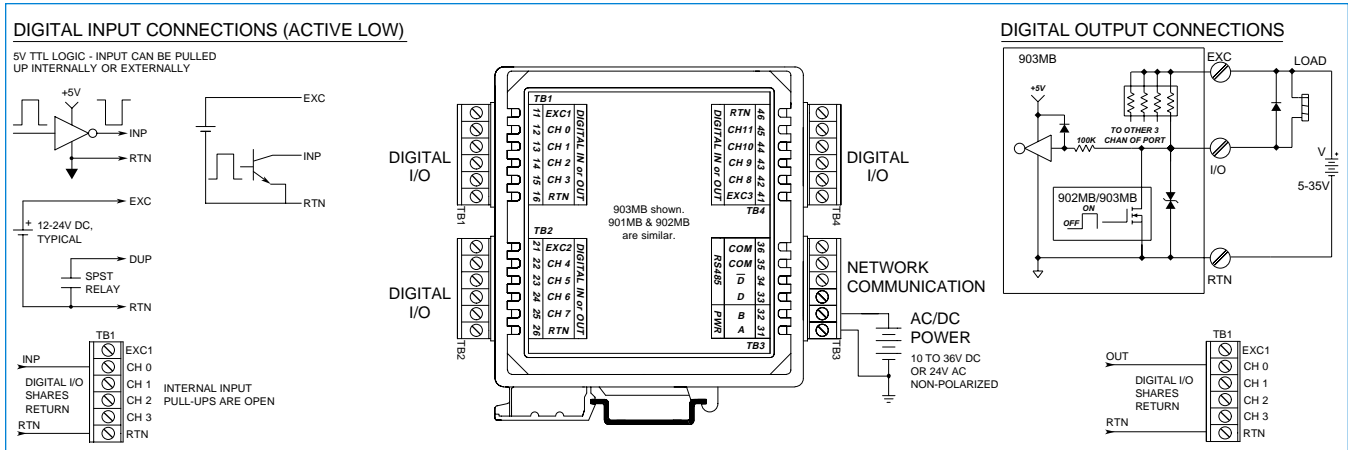
Power supply (24V DC, 2.1A).

See Power Supplies on page 183.

For more information on software, network hardware, and mounting accessories, please see Pages 39-41.



Optional terminal blocks: barrier strip (left) and spring clamp (right). Cage clamp terminal is standard.





■ Accessories

■ Configuration Tools

Acromag provides a full set of tools to help you get your modules set up and ready to install.

Software Interface Package

See Page 39 for more information.

Includes the following:

- Configuration Software Utility
- Instruction manuals
- Serial port converter
- Interface cable

■ Network Devices

Everything you need to drive your network is available from Acromag: isolators, converters, signal boosters, and power sources.

Universal 50W Power Supply (Page 39)

Isolated RS-232/485 Converter (Page 40)

Isolated RS-485 Network Repeater (Page 40)

■ Mounting Hardware

Installation is a snap with Acromag accessories.

DIN RAIL Bars (Page 39)

19" Rack-Mount Kit (Page 39)

■ General Module Specifications

■ Communication Interface

Network Communication

Modbus-RTU protocol, RS485 (3-Wire). Standard Protocol implementation as defined under "Modicon Modbus Reference Guide" PI-MBUS-300 Rev. J. Reference: <http://public.modicon.com>. Search on: PI-MBUS-300 for technical publication.

Baud Rate

2400, 4800, 9600, 14.4k, 19.2k, 28.8k, 38.4k, 57.6k, 76.8k, or 115.2k baud. Default 9600 baud.

Module Addressing

0 to 247, selectable. Default address 247.

Network Distance

4000 feet without network repeater.

Nodes

Supports up to 32 modules without the use of a network repeater.

Parity

Odd, even, or none. Default setting none.

Stop Bits

One with parity, one or two with no parity. Default setting is two stop bits with no parity.

Watchdog Timer (Hardware)

A hardware watchdog timer is built into each module to perform a reset if the microcontroller fails to return from an operation in a timely manner or "locks up".

Watchdog Timer (Network Communication)

All modules have a communication watchdog timer function. The watchdog timer is configurable for timeout periods of up to 18 hours. This timer function monitors I/O communications with the host controller. In the event of lost communications, output ports optionally reset to a user-defined state or level. The watchdog timer restarts with a read/write to an I/O channel.

■ Environmental

Ambient Temperature

Operation: -25°C to +70°C (-13°F to +158°F). Storage: -40°C to +85°C (-40°F to +185°F).

Relative Humidity

5 to 95% non-condensing.

Radiated Field Interference Immunity (RFI)

Complies with EN61000-4-3 Level 2 and EN50082-1 (3V/M, 80 to 1000MHz AM and 900MHz keyed).

Electrical Fast Transient Immunity (EFT)

EN61000-4-4 Level 1 and EN50082-1 (0.5KV power, signal lines).

Electrostatic Discharge (ESD) Immunity

EN61000-4-2 Level 3 and EN50082-1 (8KV/4KV air/direct discharge).

Surge Immunity

EN61000-4-5 (0.5KV) and EN50082-1.

Radiated Emissions

Meets EN50081-1 for Class B equipment.

Approvals

CE marked. UL listed for US and Canada. Class I; Division 2; Groups A, B, C, D.

■ Enclosure/Physical

Enclosure

Self-extinguishing NYLON type 6.6 polyamide thermoplastic UL94 V-2, color beige; general purpose NEMA Type 1 enclosure.

Connectors (Removable Terminal Blocks)

Wire Range: AWG #12-24, stranded or solid copper.

Dimensions

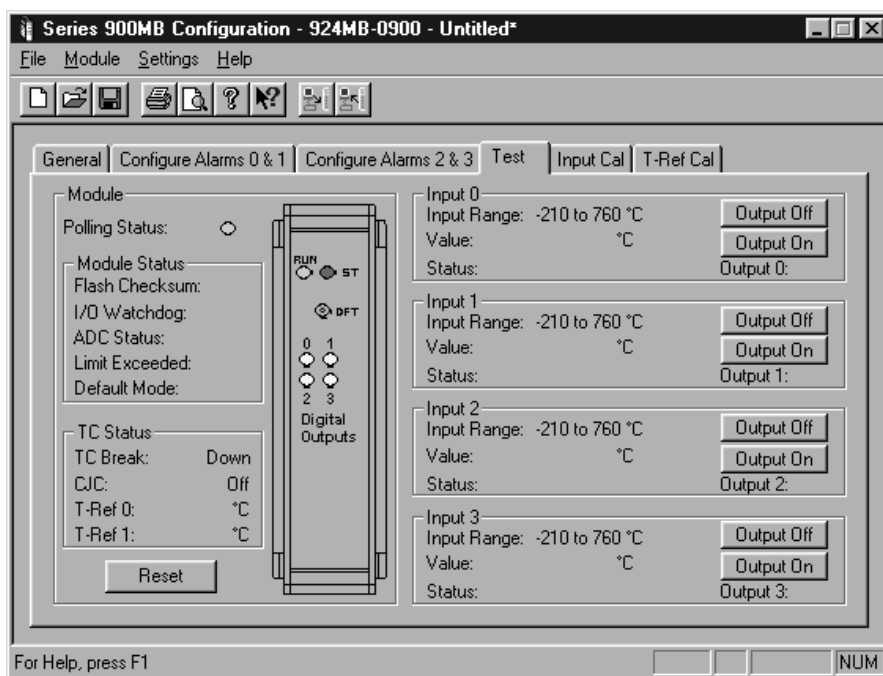
1.05W x 4.68H x 4.35D inches
26.7W x 118.9H x 110.5D mm.

DIN Rail Mounting

DIN rail mount, Type EN50022; "T" rail (35mm).

Shipping Weight

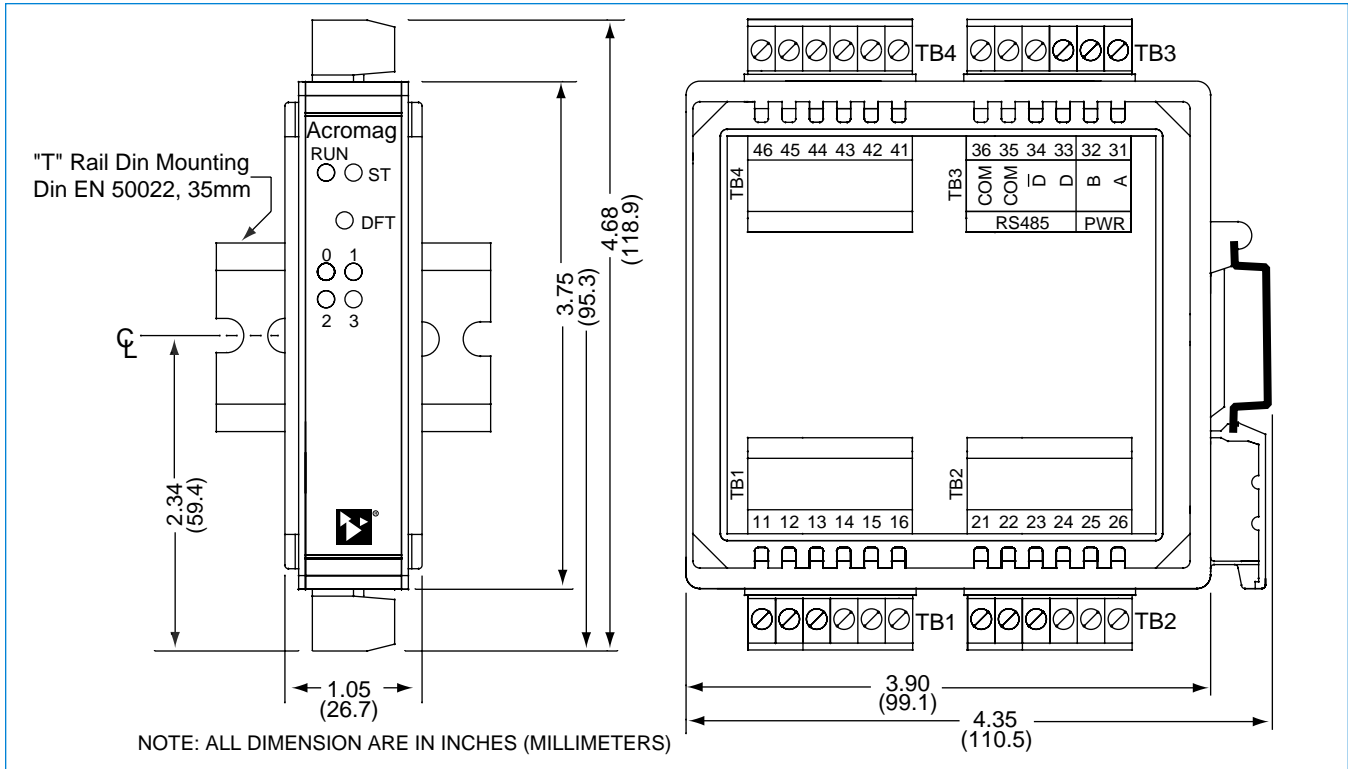
1 pound (0.45 Kg) packed.



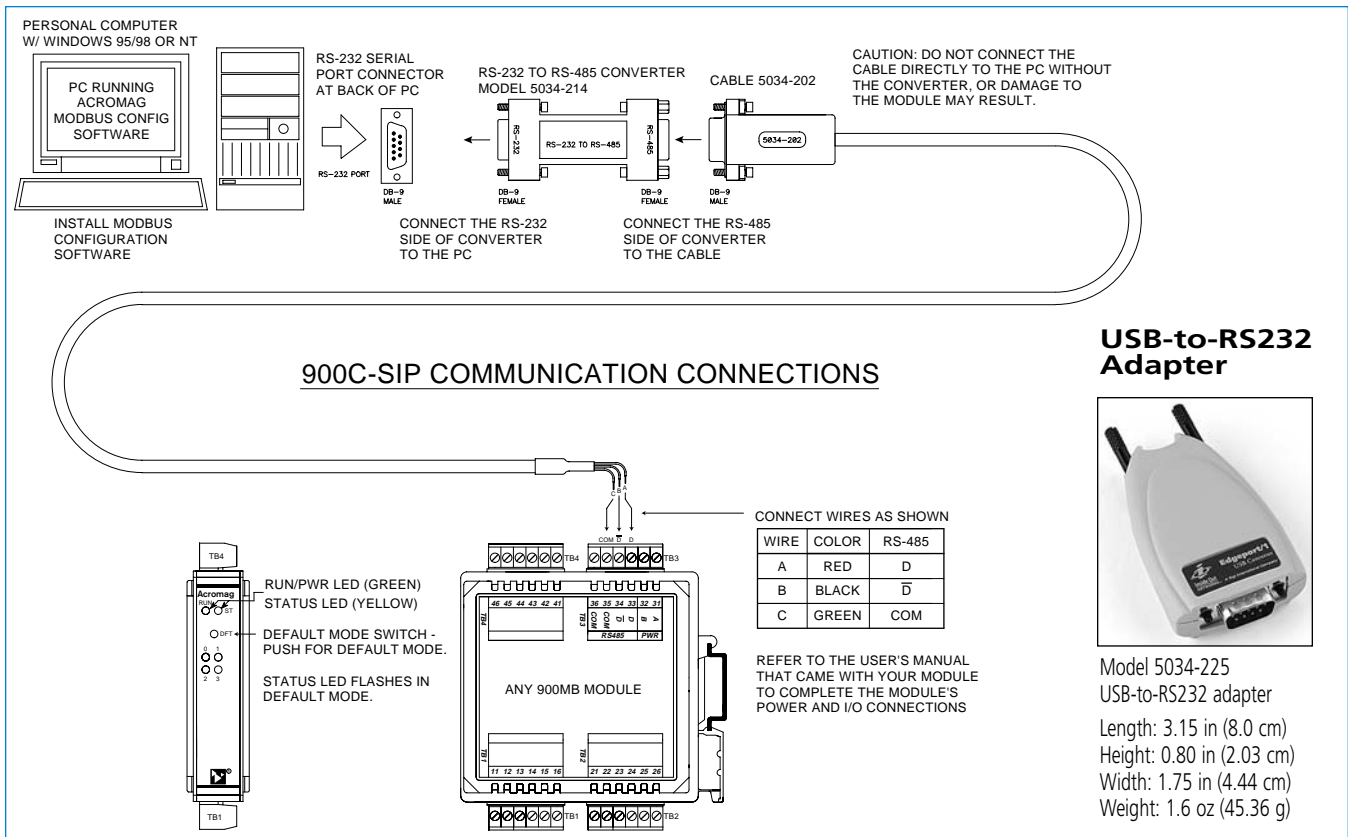
A test page simplifies diagnostics with a live visual display of the module's input and output values.



900MB Series Technical Diagrams



BusWorks® Modbus I/O





Configuration Kit

Software Interface Package
Model No. 900C-SIP

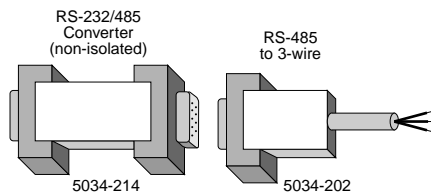
RS-485 Cable (DB-9)

RS-232 to RS-485 Converter (non-isolated)

Configuration Software for Windows 95/98/NT

Software Interface Package

This package includes Windows® Configuration Software, an RS-232-to-485 Serial Port Converter, and an RS-485 Signal Cable. These components provide everything you need to set up a Series 900 I/O module from your desktop PC before installing it on the network.



Ordering Information

- 900C-SIP
Software Interface Package.
Includes Configuration Software (5034-186), Non-isolated RS-232 to RS-485 Serial Port Converter (5034-214), and RS-485 Cable (5034-202).
Items can also be ordered separately below.
- 5034-186
Configuration Software for Windows (95/98/ME, NT4, 2000) on CD-ROM.
- 5034-214
Non-isolated RS-232 to RS-485 Serial Port Converter, DB-9F to DB-9F.
- 5034-202
RS-485 to 3-wire Cable Converter, DB-9M to 3 x 12AWG RS-485 Cable, 8 ft.

Network Power

DC ON

OUTPUT 24VDC 2.1A

50W

PS5R-D24

INPUT 50-250VAC 100-240VAC 1.15A

CE, UL LISTED, TUV

Universal 50W Power Supply

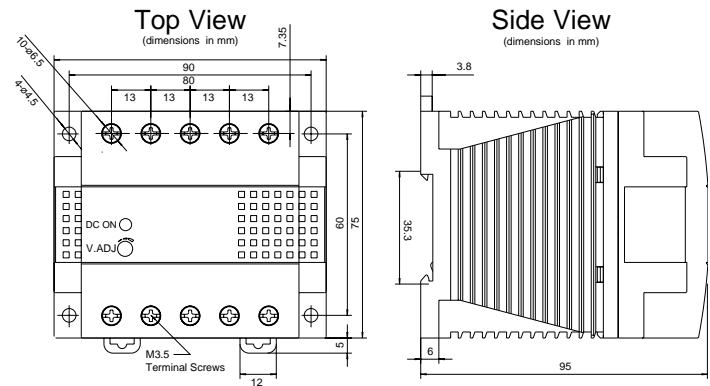
The PS5R-D24 is the ideal power source to drive your network.

Input Power Requirement
Universal power
85 to 264V AC,
105 to 370V DC

Output
24V DC, 2.1A (50W)

Ordering Information

- PS5R-D24
Universal Power Supply



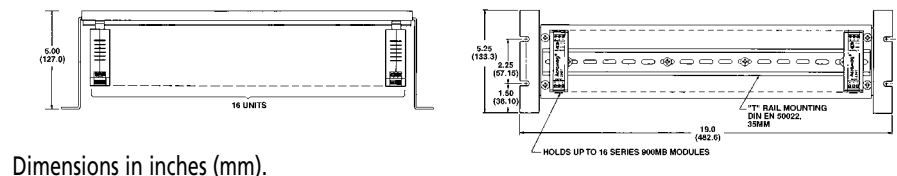
Mounting Hardware

DIN-Rail Mounting

For your convenience, Acromag offers several mounting accessories to simplify your system installation. Our 19" rack-mount kit provides a clean solution for mounting your I/O modules and a power supply. Or you can buy precut DIN rail strips for mounting on any flat surface.

Ordering Information

- 20RM-16-DIN
19" rack-mount kit with DIN rail.
- DIN RAIL 3.0
DIN RAIL 16.7
DIN rail strip, Type T, 3 inches (75mm) or 16.7 inches (425mm)



Dimensions in inches (mm).



RS-232 to RS-485



4SCC-TTM x Isolated Signal Converter

This unit provides an isolated interface between the host PC's RS-232 port and RS-485 Modbus network devices. Signal conversion is bidirectional with operation that is transparent to all devices. The RS-485 network supports up to 32 devices (including the 4SCC-TTM Converter) across 4000 foot distances. Installation of additional network devices or extending the distance requires the 4SCR-TTM Network Repeater.

Specifications

Baud Rates
Switch-selectable from 300 to 38.4K baud.

Duplex
Half duplex only.

Network Termination Resistors
Two terminal blocks and 120 ohm resistors provided to terminate both ends of the RS-485 network.

Wiring Connectors
Terminal blocks with screw clamps for 14-26AWG.

Operating Temperature Range
-25 to 60°C (-13 to 140°F).

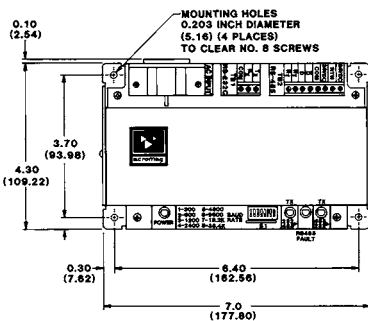
Isolation
Withstands 1500V AC surge for 60 seconds (250V AC or 354V DC continuous).

Ordering Information

4SCC-TTM-1
Signal Converter, 115V AC (power cord included)

4SCC-TTM-2
Signal Converter, 230V AC (power cord included)

5020-924
Signal Cable, 8ft. long, DB-9 to three wires. Connects PC's RS-232 port to 4SCC-TTM-x.



Dimensions in inches (mm).
Shipping Weight
3.0 lbs. (1.4 kg) packed.

BusWorks® Modbus I/O

RS-485 to RS-485



4SCR-TTM x Isolated Network Repeater

This unit isolates and boosts RS-485 signals to extend communication distances or increase the number of devices on the network. Each Repeater permits the addition of a network branch with up to 32 devices (including the 4SCR-TTM) and will transmit RS-485 signals another 4000 feet. Operation is transparent to all devices and no handshaking is required. Two terminal blocks are provided for 120 ohm resistors to terminate both ends of the network branch.

Specifications

Baud Rates
Switch-selectable from 300 to 38.4K baud.

Duplex
Half duplex only.

Network Termination Resistors
Two terminal blocks and 120 ohm resistors provided to terminate both ends of the RS-485 network.

RS-485 Wiring Connectors
Terminal blocks with screw clamps for 14-26AWG.

Power Wiring Connections
Terminal block with screw clamps for 12-18AWG.

Operating Temperature Range
-25 to 60°C (-13 to 140°F).

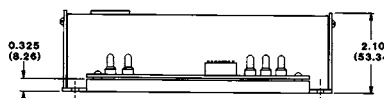
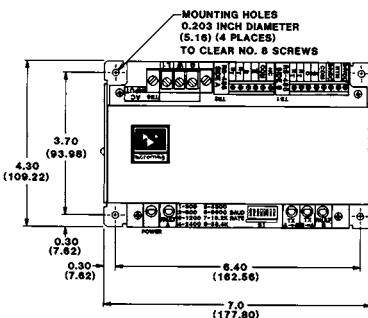
Isolation
Withstands 1500V AC surge for 60 seconds (250V AC or 354V DC continuous).

Ordering Information

4SCR-TTM-1
Signal Converter, 115V AC power

4SCR-TTM-2
Signal Converter, 230V AC power

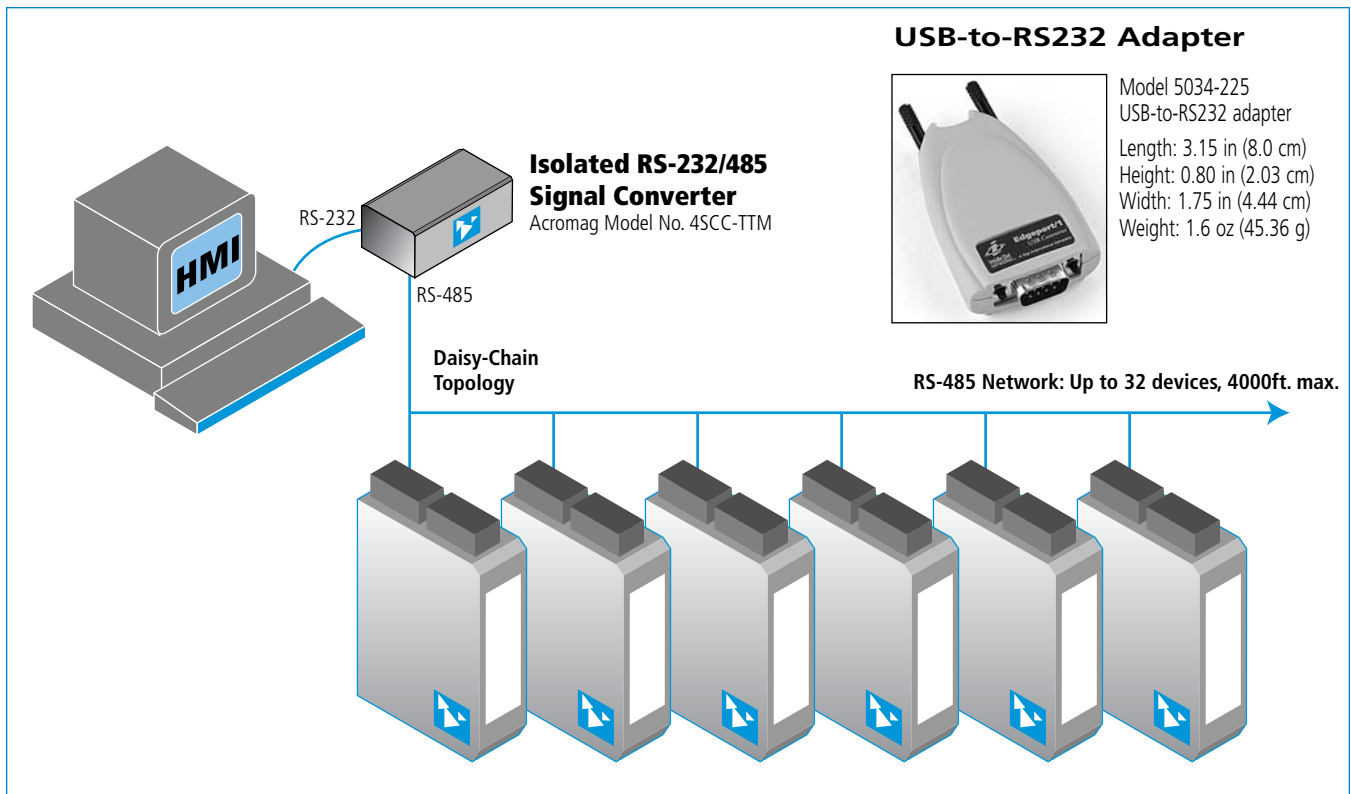
40LC-GBW-1
115V AC power cord



Dimensions in inches (mm).
Shipping Weight
3.0 lbs. (1.4 kg) packed.



System Connection



BusWorks® Modbus I/O

Extending the Network

