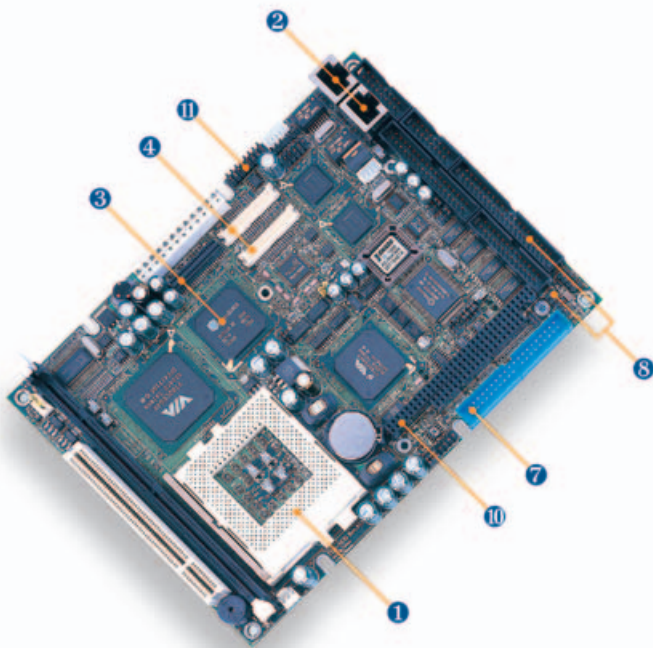


# 5.25"

## Mini Modules

### Intel FC-370 Pentium III / Celeron Mini Module



## ECM-5610

### Features

- ❶ Supports Intel FC-370 Pentium III / Celeron CPUs with FSB up to 133 MHz
- ❷ Dual Intel 82559ER 10/100Base-Tx Fast Ethernet
- ❸ AGP 2X 3D Graphics Accelerator with YUV Video Input
- ❹ Dual Flat Panel Interfaces
- ❺ NTSC/PAL TV Output
- ❻ Integrated AC97 2.0 Sound Blaster Compatible Audio
- ❼ Ultra DMA/100 IDE Interface
- ❽ 4 COM / 2 USB / 1 Parallel / 1 IrDA port
- ❾ Supports Type I/II Compact Flash Storages
- ❿ PC/104 Expansion Connector
- ⓫ Optional 24-bit Panel Link Interface



### Ordering Information

- **EES-5610 (page 7-3)**  
Intel FC-370 Pentium III / Celeron Mini PC with VGA, LCD, AC97 Audio, Compact Flash, 4 COMs, & Dual 10/100Base-Tx Ethernet
- **ECM-5610**  
Intel Pentium III / Celeron Mini Module with dual LCD interfaces, AGP 2X 3D graphics, AC97 Audio, & Dual 10/100Base-Tx Ethernet
- **ECM-5610L**  
Intel Pentium III / Celeron Mini Module with dual LCD interfaces, AGP 2X 3D graphics, AC97 Audio, & Single 10/100Base-Tx Ethernet
- **ECM-5610-2DL**  
Intel Pentium III / Celeron Mini Module with LCD interface, AGP 2D graphics, AC97 Audio, & Single 10/100Base-Tx Ethernet
- **ACC-56102-1**  
Cable kit for ECM-5610 series

# Specifications

## General Functions

- **CPU:** Supports Intel FC-370 Pentium III / Celeron (with system bus frequencies of 66/100/133 MHz)
- **CPU Socket:** Intel FC-370, Socket 370
- **BIOS:** Award 256 KB Flash BIOS
- **Chipset:** VIA Apollo Pro 133A, VT82C694X
- **I/O Chipset:** VT82C686B / Winbond W83977 EF-AW
- **Memory:** Onboard one 168-pin DIMM socket supports up to 512 Mbytes SDRAM
- **Enhanced IDE:** Supports two IDE devices. Supports Ultra DMA/100 mode with data transfer rate up to 100 MB/sec.
- **FDD Interface:** Supports up to two floppy disk drives, 5.25" (360 KB and 1.2 MB) and/or 3.5" (720 KB, 1.44 MB, and 2.88 MB)
- **Parallel Port:** One bi-directional parallel port. Supports SPP, ECP, and EPP modes
- **Serial Port:** Three RS-232 and one RS-232C/422/485 serial port. Ports can be configured as COM1, COM2, COM3, COM4, or disabled individually. (16C550 equivalent)
- **IR Interface:** Supports one IrDA Tx/Rx header
- **KB/Mouse Connector:** 8-pin (4 x 2) connector supports PS/2 keyboard and mouse
- **USB Connectors:** One 5 x 2 header onboard supports dual USB ports
- **Watchdog Timer:** Can generate a system reset. Software selectable time-out interval (32 sec. ~ 254 min., 1 min./step)
- **Power Management:** Supports ATX power supply. Supports PC97, LAN wake up and modem ring-in functions. I/O peripheral devices support power saving and doze/standby/suspend modes. APM 1.2 compliant

## Flat Panel/CRT Interface

- **Chipset:** SMI Lynx3DM SM 721, high performance 128-bit GUI, 3D engine
- **Display Memory:** 4 MB of SGRAM frame buffer on Lynx3DM SM 721G4 (ECM-5610/L), 8 MB on Lynx3DM SM 721G8 (optional)
- **Display Type:** Simultaneously supports CRT and flat panel (TFT & DSTN Color) displays
- **Interface:** AGP 2X, Accelerator Graphics Ports 1.0 compliant
- **Resolution:** Up to 1024 x 768 @24 bpp
- **Video Capture Port:** 40-pin YUV direct video input port onboard
- **TV Output Interface:** onboard header supports both RCA jack and S terminal

## PanelLink Interface (Optional)

- **Chipset:** Sil 164 PanelLink Digital Transmitter
- **Scalable Bandwidth:** Ranging from 25 ~ 112 MHz (VGA ~ SXGA) 24/48-bit one/two pixel per clock

## Audio Interface

- **Chipset:** VT82C686B
- **AC97 Codec:** AD1819B
- **Audio Controller:** AC97 2.0 compliant interface, Multi-stream Direct Sound and Direct Sound 3D acceleration
- **Audio Interface:** Microphone in, Line in, CD audio in, Line out, Speaker out

## Ethernet Interface

- **Chipset:** Dual Intel 82559ER PCI-bus Ethernet controllers onboard (ECM-5610 only)
- **Ethernet Interface:** PCI 100/10 Mbps, IEEE 802.3U compatible
- **Remote Boot-ROM:** Available with optional Intel 82559 controller

## SSD Interface

- One CF+ socket supports Type I/II Compact Flash memory devices

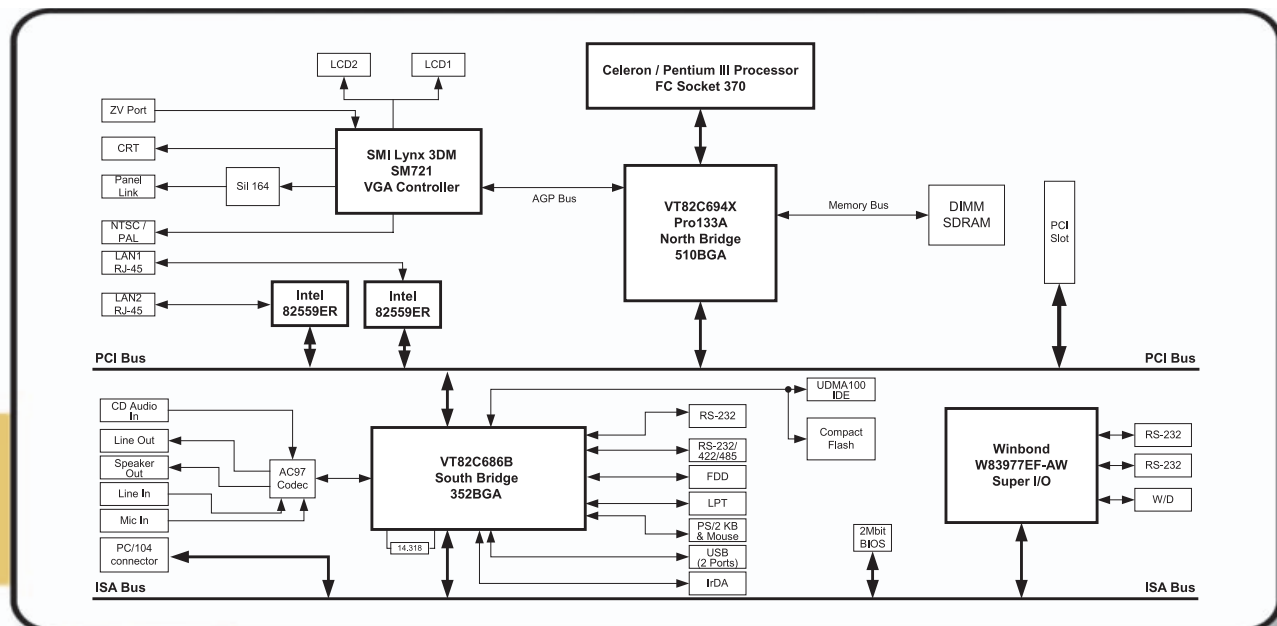
## Expansion Interface

- **PC/104 Connector:** One 16-bit 104-pin connector onboard
- **PCI Slot:** One 32-bit PCI slot onboard

## Mechanical and Environmental

- **Power Supply Voltage:** AT or ATX type, +5 V and +12 V
- **Operating Temperature:** 32 to 140° F (0 to 60° C)
- **Board Size:** 8" (L) x 5.75" (W) (203 mm x 146 mm)
- **Weight:** 0.5 Kg

# System Diagram



... Applied computing solutions ...