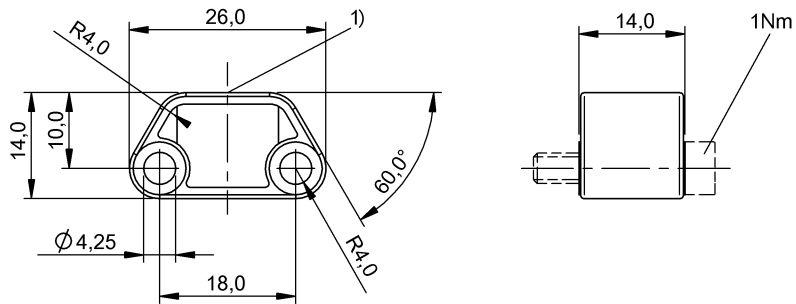


BIL 001-MH-A
Ordering code: BAM0177
Magnet

BALLUFF
sensors worldwide



1) Active surface

Characteristic data

Application For use with BILA-...

Electrical data

Mechanical data

Housing material PA mod.
Ambient temperature Ta min. -25 °C
Ambient temperature Ta max. 100 °C

Basic data

Scope of delivery 2 cheese-head screws DIN 912
M4x20-A (stainless steel).

Remarks

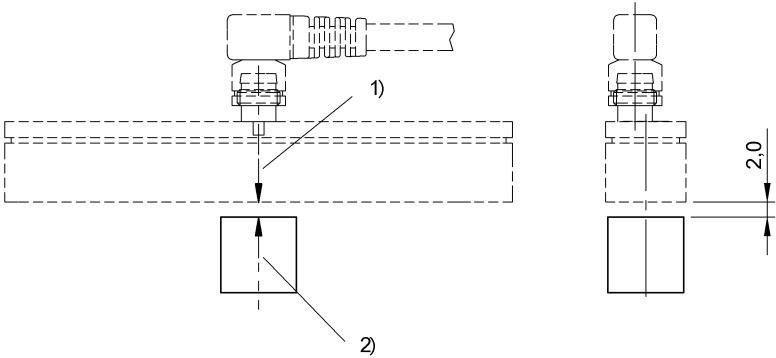
1) Reference axis A for the measured value = 2) Axis of symmetry B of the magnet.

Definitions see main catalog

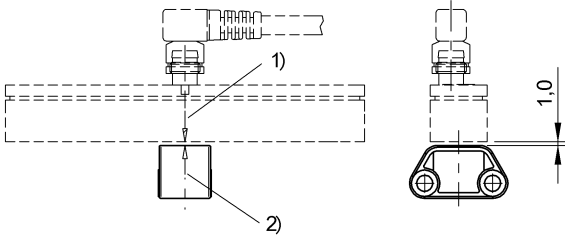
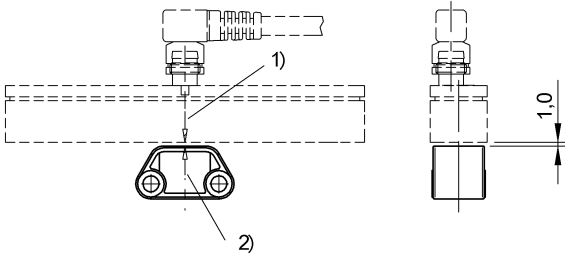
subject to change

BIL 001-MH-A
Ordering code: BAM0177
Magnet

BALLUFF
sensors worldwide



1) Axis A
2) Axis B



1) Axis A
2) Axis B