

AES-6100B

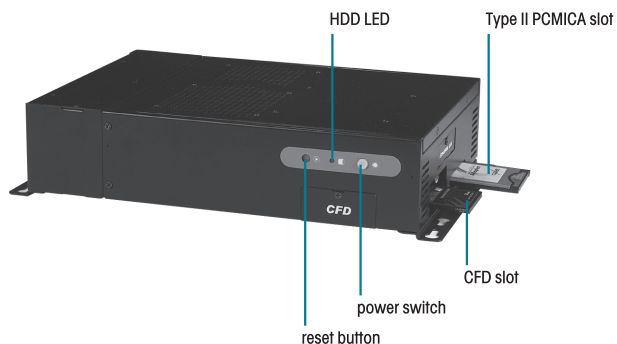
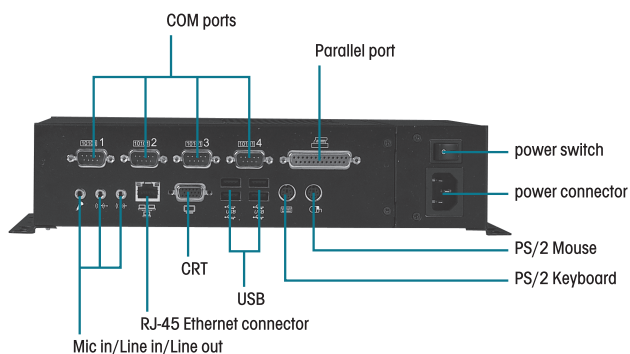
The Power That Solves

Mini Embedded Control PC with VIA Eden™ 667MHz CPU



Features

- VIA Eden™ 667MHz processor
- VIA VT8606 chipset with integrated AGP 4X graphic accelerator
- 10/100Mbps Fast Ethernet / 4 COM / 4 USB / 1 Parallel Port
- AC-97 high-quality Audio
- Supports CompactFlash™ Memory and Type II PCMCIA Slots
- Supports PC/104 expansion interface

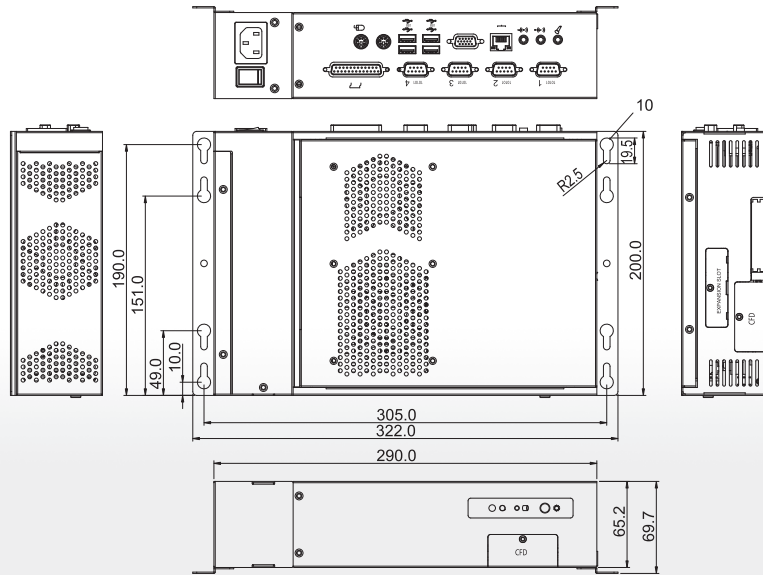


Specifications

System	
CPU	VIA Eden 667MHz mobile CPU
System Memory	164-pin SDRAM DIMM x 1, Max. 512MB
VGA / Keyboard / Mouse	DB-15 VGA Connector, PS/2 Keyboard & Mouse
Ethernet	10/100Base-T RJ-45 connector x 1
SSD	Type II CompactFlash slot x 1
Hard Disk Storage	2.5" Slim HDD Bay x 1
Serial Port	RS-232 x 3, RS-232/422/485 x 1
Parallel Port	Parallel Port x 1
Audio	Mic In / Line In / Line Out
USB	USB 1.1 ports x 4
Expansion Interface	PC/104 socket x 1, Type II PCMCIA slot x 2
Watchdog Timer	Generate a time-out system reset, setting via software
Power Input	1. Standard ATX power connector 2. Terminal block connector provides 3.3V/5V/12V/-5V/-12V/Ground power input connection
Power Supply Module (optional)	Output rating : 100W Input voltage : 100VAc ~ 240VAc @ 50 ~ 60Hz Output voltage : +3.3V@1.5A, +5V@5A, +12V@2.5A, -12V@0.5A, +5VSB@1A
System Control	Power on / off switch with LED x 1 Reset button x 1
Indicator	HDD active LED x 1
OS Support	Windows CE .Net 4.2, Windows XP Embedded, Windows 98/2000/XP

Dimension

Unit : mm



Mechanical	
Construction	Heavy-duty steel chassis
Color	Black
Mounting	Wall-mount
Dimension	With power supply - 11.41" (W) x 2.56" (H) x 7.87" (D) (290mm x 65mm x 200mm) Without power supply - 9.08" (W) x 2.56" (H) x 7.87" (D) (230mm x 65mm x 200mm)
Carton Dimension	9.08" (W) x 2.56" (H) x 7.87" (D) (295mm x 211mm x 261mm)
Net Weight	6.3lb (2.9kg)
Gross Weight	8.15lb (3.7kg)
Environmental	
Operating Temperature	32° F ~ 113° F (0° C ~ 45° C)
Operating Humidity	5 ~ 95%@40° C, non-condensing
Vibration	1G / 5 ~ 500Hz / random operation
Shock	15G peak acceleration (11 msec. duration)
EMC	CE/FCC class A

Ordering Information

P/N	100W Power Module	PCMCIA
AES-6100B-001	V	V
AES-6100B-002	—	V
AES-6100B-003	V	—
AES-6100B-004	—	—

1

Operator Panel

2

Panel PC

3

LCD PC

4

Embedded Control PC

5

Workstation

6

Display Monitor

7

IPC Solution

8

Full-Size CPU Card

9

Half-Size CPU Card

10

Accessory