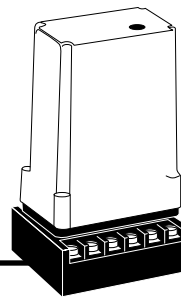


Motion Detection Systems



Motion Detection Systems consist of these motion detection modules coupled with a DC proximity sensor. Either the EE510 series or any DC ET-series sensor is compatible. EE931 sensors may also be employed for hazardous location requirements.

Motion Detection Modules

Output	Speed Adjustment Range				UL Listed
	3 to 60 Pulses Per Minute Model No.	24 to 480 Pulses Per Minute Model No.	384 to 7680 Pulses Per Minute Model No.	See Time Delay Chart Model No.	
Motion Switch					
Electromechanical Relay 1 Set Form C 5A-115 VAC Resistive	EE891-02103*	EE891-12103*	EE891-22103*	—	✓
Open Collector 20 ma. sink V ext. max. 40 volts	EE891-02303*	EE891-12303*	EE891-22303*	—	✓
Reed Relay 1 NO, 1 NC, 12VA or 10 watts	EE891-02403*	EE891-12403*	EE891-22403*	—	✓
Underspeed Only Switch					
Electromechanical Relay 1 Set Form C 5A-115 VAC Resistive	EE891-02113	EE891-12113	EE891-22113	—	
Zero Speed Switch					
Electromechanical Relay 2 Form C 5A-115 VAC Resistive	—	—	—	EE891-32103	

*UL Listed.

Order numbers shown are for 120 VAC units.

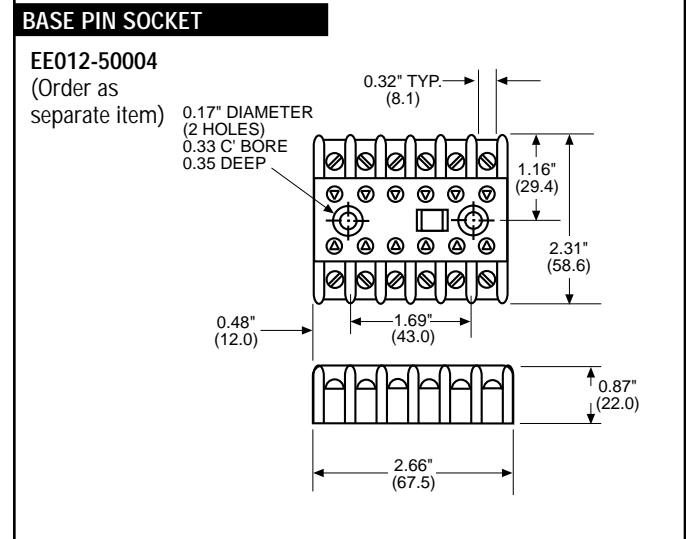
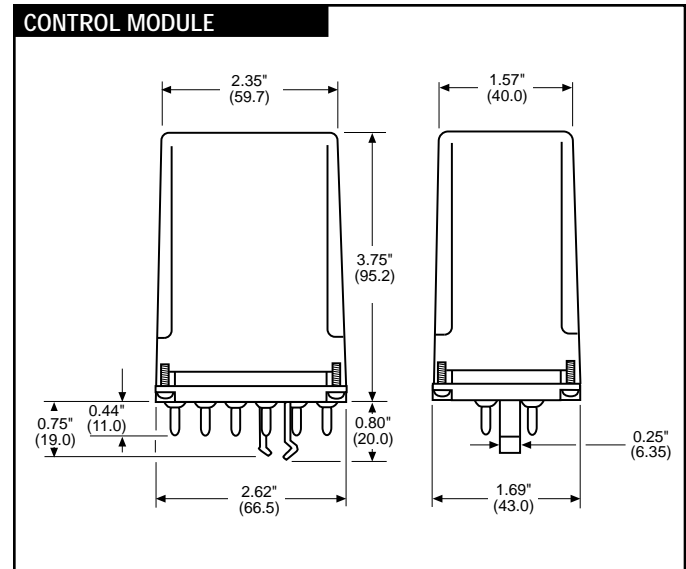
For intrinsically safe applications, use any EE981 sensor.

Specifications

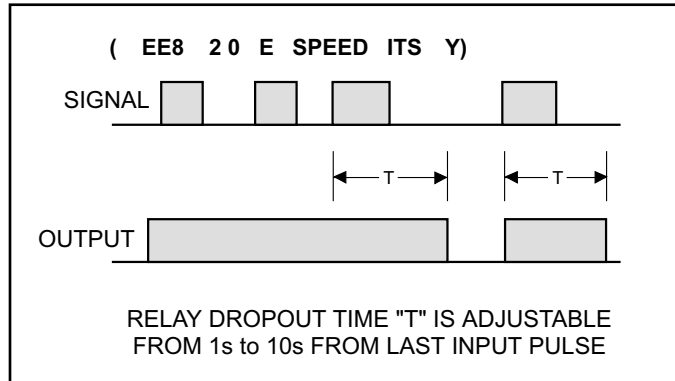
MOTION DETECTION SYSTEMS		
	MOTION SWITCH	ZERO SPEED
Input	120VAC, 50/60Hz or 230 VAC	120 VAC, 50/60Hz
Electromechanical Relay	1 Set Form C 5A Resistive @ 120 VAC	DPDT 5A Resistive @ 120 VAC
Reed Relay	1 NO - 1 NC 10 W or 12 VA	N/A
Transistor	Vext. 40 VDC max. Sinking, 10 mA	N/A
Solid State Relay	.050 Amps min. to 1.5 Amps max. 240 VAC max.	
DC Power Supply	24VDC, 50 mA max. for sinking (NPN) or sourcing (PNP) Input***	
Drop-Out Time	N/A	1-10 Sec. Adjustable
Hysteresis	5%	N/A
Latch	Yes	N/A
Mode of Operation	Overspeed or Underspeed programmed	N/A
Trip Point Adjust	Yes	N/A
Response Time	<10ms: electromechanical <2ms: reed relay	N/A

**The use of an external suppressor network on relay output models is recommended to prolong contact life.
 *** Early models may have 12 VDC supply.

Dimensional Drawings Motion Detection



Time Delay Chart



Compatible Sensors (DC versions only)

- EE510 Series
- ET Series
- EE931 Series (for Hazardous Locations)

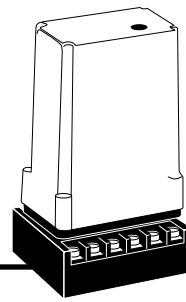
Special Application Solutions



Namco Controls Corporation
 Mayfield Village, OH 44143
 (440) 460-1360 • FAX (440) 460-3800 • namcocontrols.com

For technical assistance, call 1-800-NAMTECH

Motion Detection Systems

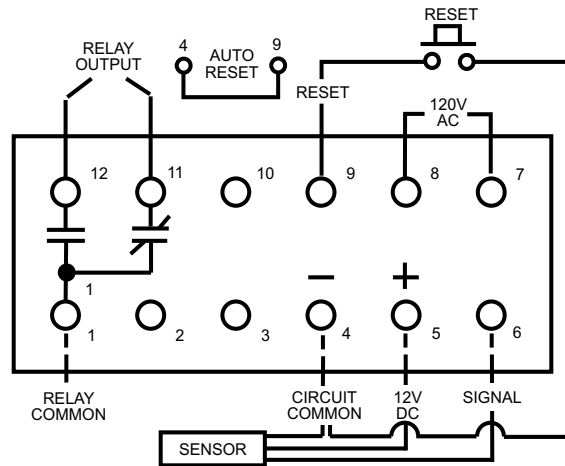


Circuit Drawings

**UNDERSPEED ONLY SWITCH,
ELECTROMECHANICAL RELAY**

Model Nos.
EE891-02113
EE891-12113
EE891-22113

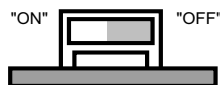
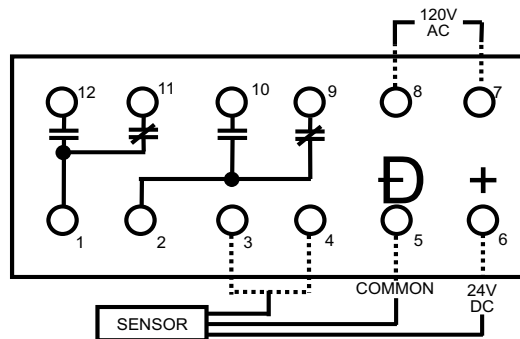
**RELAY OUTPUT 1 FORM "C"
5 AMPS RESISTIVE @ 120V AC**



**ZERO SPEED SWITCH,
ELECTROMECHANICAL RELAY
SOLID STATE RELAY**

Model Nos.
EE891-32103

**RELAY OUTPUT: 2 FORM "C" 5 AMP RESISTIVE
@ 120V AC**

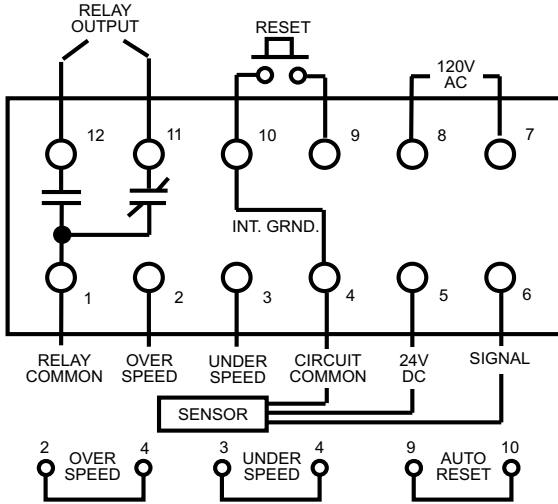


INTERNAL SWITCH
FOR NORMALLY "ON" OR NORMALLY "OFF"
RELAY OPERATION

**MOTION SWITCH,
ELECTROMECHANICAL RELAY**

Model Nos.
EE891-02103
EE891-12103
EE891-22103

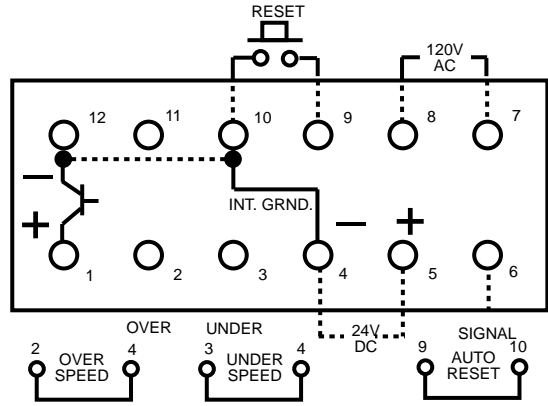
**RELAY OUTPUT 1 FORM "C"
5 AMP MAX. RESISTIVE @ 120V AC**



**MOTION SWITCH,
OPEN COLLECTOR**

Model Nos.
EE891-02303
EE891-12303
EE891-22303

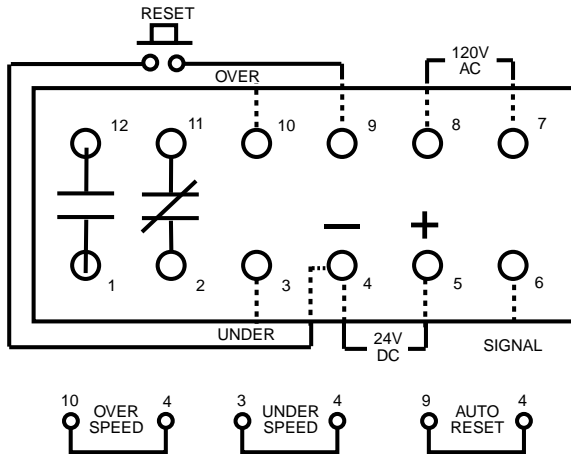
V EXT = 40V DC 20 ma MAX.



**MOTION SWITCH,
REED RELAY**

Model Nos.
EE891-02403
EE891-12403
EE891-22403

**RELAY OUTPUT
FORM "A" FORM "B"
12 va 120V OR
10 WATT MAX., 500 ma MAX., 120V MAX**



NOTE: Early models may have 12VDC supply.

Special Application Solutions



Namco Controls Corporation
Mayfield Village, OH 44113

(440) 460-1360 • FAX (440) 460-3800 • namcocontrols.com

For technical assistance, call 1-800-NAMTECH