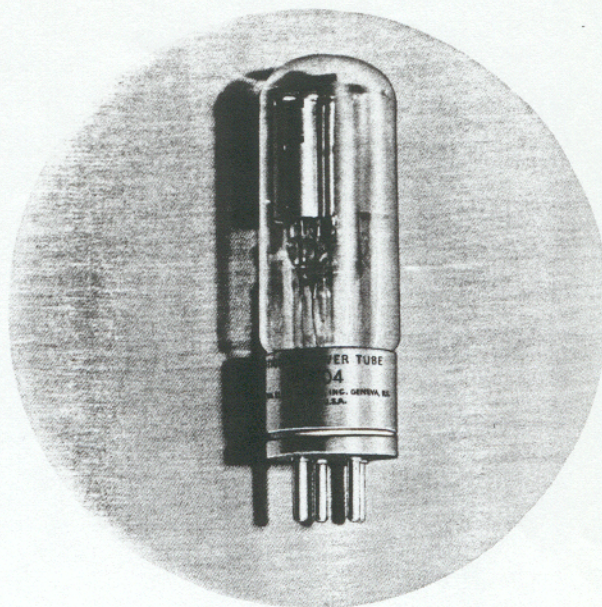


2.5 Amperes D.C. — 10 Amperes Peak

NATIONAL POWER TUBE NL-604/7014 is a sturdy full-wave rectifier designed especially for industrial power rectifier application up to 250 volts dc. It is gas and mercury filled for quick starting, long life, and constancy of characteristics within wide temperature limits. It is available with a lug base under the type number NL-604L/7015.



TECHNICAL INFORMATION

dc Amperes output (maximum)	2.5
Instantaneous Amperes output (maximum)	10
Maximum time of averaging anode current (seconds)	5
Maximum peak inverse volts	900
Filament volts	2.5
Filament amperes	11.5 ± 1
Filament heating time (seconds)	15
Typical arc drop at 5 amperes peak (volts)	10
Typical Anode starting voltage (volts)	10
Maximum ac short circuit current (amperes)	150
Condensed mercury temperature limits (°C)*	0 to +90
Approx. temp. rise, cond. merc. above ambient, no load (°C)	18
Approx. temp. rise, cond. merc. above ambient, full load (°C)	28
Mounting position	vertical, base down
Net weight (ounces)	5
Approx. shipping weight (lbs.)	3

*The tube may be started and satisfactory operation will result between 0° and 90°C. For maximum life the condensed mercury temperatures after warm-up should run between +40° and +90°C which corresponds to approximately +15° to +65°C. ambient.

ALL DATA ARE BASED ON RETURNS TO FILAMENT TRANSFORMER CENTER TAP

LIGHT FILAMENT BEFORE APPLYING LOAD

Printed in U. S. A. 5/68

NATIONAL ELECTRONICS, INC.

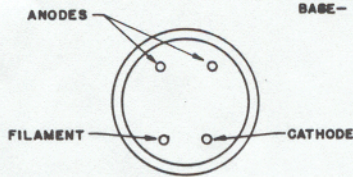
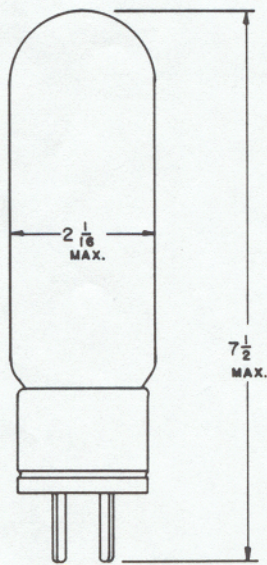
a varian subsidiary

GENEVA, ILLINOIS, 60134

TELEPHONE 312 232-4300
TWX 910 237-1685

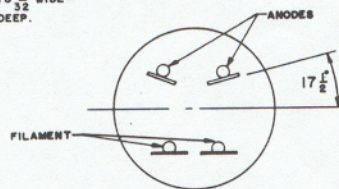
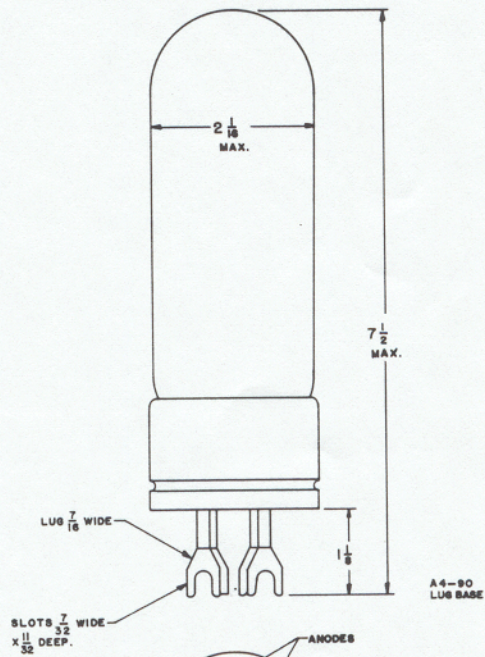
OUTLINE DRAWINGS

NL-604/7014



A4-81
4-PIN INDUSTRIAL
BASE- #412

NL-604L/7015



NATIONAL ELECTRONICS, INC.

a varian subsidiary

GENEVA, ILLINOIS, 60134

TELEPHONE 312 232-4300
TWX 910 237-1685