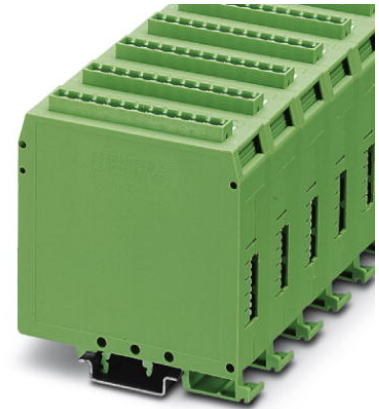


UEGM-OE/AV-24DC/24DC/100

Order No.: 2766850




<http://eshop.phoenixcontact.de/phoenix/treeViewClick.do?UID=2766850>

Pulse expansion module, input: 24 V DC, output: 3 - 48 V DC/100 mA, supply: 20 - 30 V DC



Commercial data

GTIN (EAN)	 4 017918 066888
sales group	G113
Pack	1 pcs.
Customs tariff	85364190
Catalog page information	Page 144 (IF-2009)

Product notes

WEEE/RoHS-compliant since:
12/13/2006



<http://www.download.phoenixcontact.com>
Please note that the data given here has been taken from the online catalog. For comprehensive information and data, please refer to the user documentation. The General Terms and Conditions of Use apply to Internet downloads.

Technical data

Input data

Name	Supply
Input voltage range	20 V DC ... 30 V DC (24 V, 0 V)
Max. current consumption	Approx. 16 mA

Type of protection	Protection against polarity reversal
	Surge protection
Protective circuit/component	Polarity protection diode
Name	Pulse input
Impulse voltage	24 V DC ($\pm 20\%$)
Pulse time	0.1 ms
Max. current consumption	6 mA
Type of protection	RC element
Protective circuit/component	RC element

Output data

Output nominal voltage range	3 V DC ... 48 V DC (V_{CC} , GND)
Limiting continuous current	100 mA
Voltage drop at max. limiting continuous current	1.4 V
Output circuit	3-conductor, ground-referenced
Type of protection	Protection against polarity reversal
	Surge protection
Protective circuit/component	Polarity protection diode
	Damping diode

Connection data

Type of connection	Screw connection
Conductor cross section solid min.	0.2 mm ²
Conductor cross section solid max.	4 mm ²
Conductor cross section stranded min.	0.2 mm ²
Conductor cross section stranded max.	2.5 mm ²
Conductor cross section AWG/kcmil min.	24
Conductor cross section AWG/kcmil max	12

General data

Width	25 mm
Height	79 mm
Depth	85 mm
Test voltage input/output	1 kV
Accuracy	Set time $t \pm 10\%$
Ambient temperature (operation)	0 °C ... 55 °C
Mounting position	Any

Assembly instructions	In rows with zero spacing
Standards/regulations	IEC 60664
Rated surge voltage / insulation	Basic insulation
Pollution degree	2
Surge voltage category	III

Certificates / Approvals



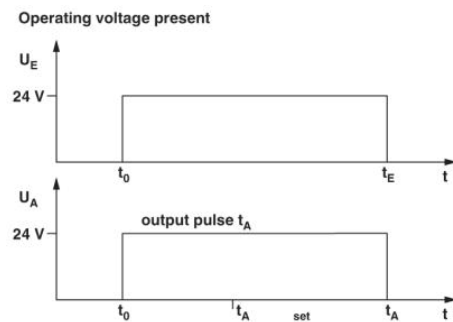
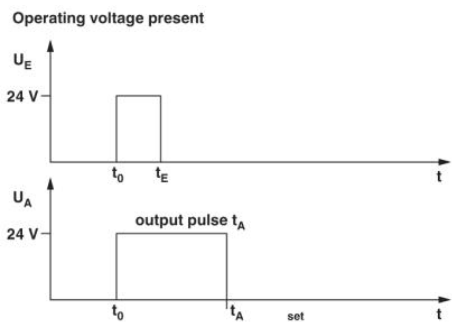
Certification GOST

Accessories

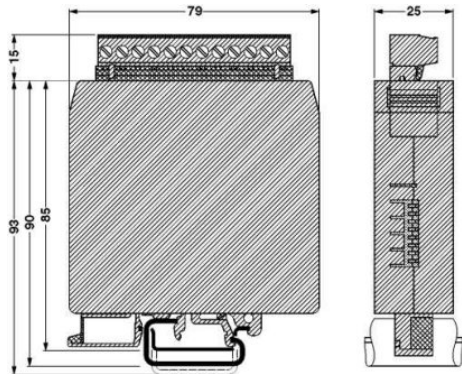
Item	Designation	Description
General		
1781085	MSTBT 2,5/12-ST-5,08	Plug component, Nominal current: 12 A, Rated voltage (III/2): 320 V, Number of positions: 12, Pitch: 5.08 mm, Color: green, Metal surface: Sn

Diagrams/Drawings

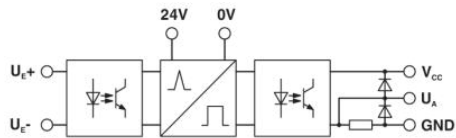
Diagram



Dimensioned drawing



Circuit diagram



Address

PHOENIX CONTACT Inc., USA
586 Fulling Mill Road
Middletown, PA 17057, USA
Phone (800) 888-7388
Fax (717) 944-1625
<http://www.phoenixcon.com>



© 2010 Phoenix Contact
Technical modifications reserved;