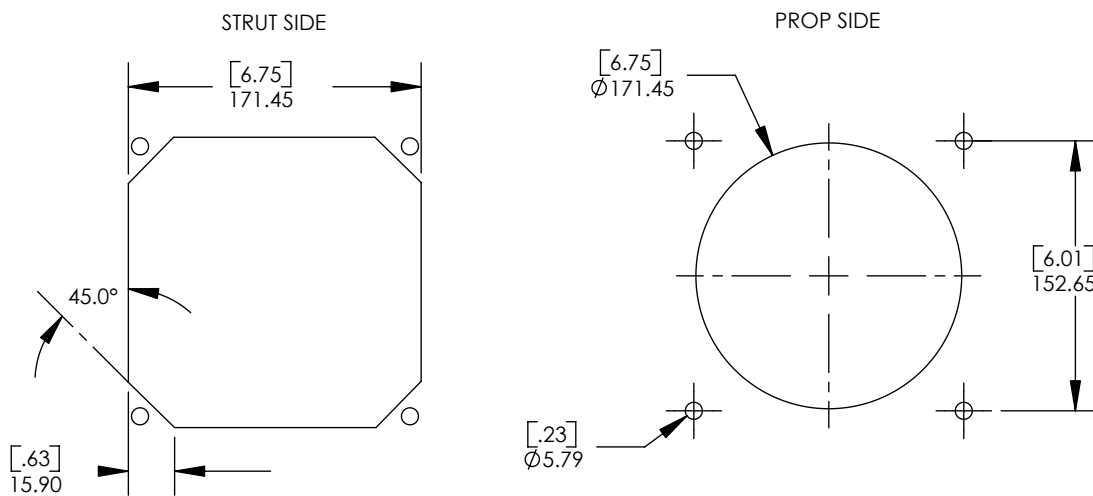



RECOMMENDED CUTOUT



CONTACT INFO:		WWW.COMAIRROTRON.COM SALES@COMAIRROTRON.COM	
TOLERANCE UNLESS OTHERWISE SPECIFIED 2 PL. DEC. ± .03 [.8] 3 PL. DEC. ± .010 [.25] ANGULAR ± 30'	AMERICAN PROJECTION 	(619) 661 - 6688	
		3D MODEL FOUND AT..	

TARZAN AC