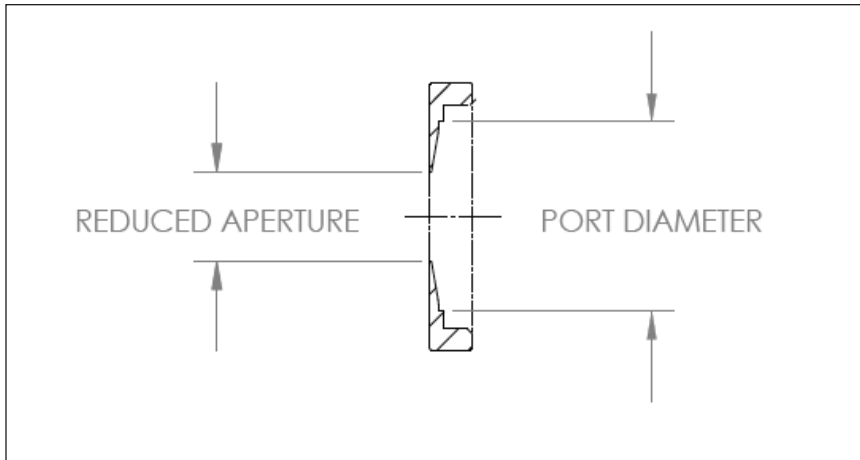


PORT REDUCERS

Mounting onto a port frame, a Port Reducer reduces the clear aperture of the port frame.



Model Number	Order Number	Port Diameter	Aperture	Reflectance Material
PR-100-0500-SF	AS-02401-004	1"	0.500"	Spectrafect
PR-100-0750-SF	AS-02401-006	1"	0.750"	Spectrafect
PR-150-0500-SF	AS-02402-004	1.5"	0.50"	Spectrafect
PR-150-1000-SF	AS-02402-008	1.5"	1.00"	Spectrafect
PR-250-0500-SF	AS-02404-004	2.5"	0.50"	Spectrafect
PR-250-0750-SF	AS-02404-006	2.5"	0.75"	Spectrafect
PR-250-1000-SF	AS-02404-008	2.5"	1.00"	Spectrafect
PR-250-1500-SF	AS-02404-012	2.5"	1.50"	Spectrafect
PR-250-2000-SF	AS-02404-016	2.5"	2.00"	Spectrafect
PR-400-1000-SF	AS-02415-008	4"	1"	Spectrafect
PR-400-2000-SF	AS-02415-016	4"	2"	Spectrafect
PR-400-3000-SF	AS-02415-024	4"	3"	Spectrafect
PR-100-0125-FB	AS-02411-001	1"	0.125"	Flat Black
PR-100-0250-FB	AS-02411-002	1"	0.25"	Flat Black
PR-100-0500-FB	AS-02411-003	1"	0.50"	Flat Black
PR-100-075-FB	AS-02411-006	1"	0.75"	Flat Black
PR-050-0500-IG	AS-02420-004	0.5"	0.500"	Infragold
PR-050-0750-IG	AS-02420-006	0.5"	0.750"	Infragold
PR-100-0250-IG	AS-02421-002	1"	0.25"	Infragold

PR-XXX-YYYY-SL, SF, IG, FB

XXX = Diameter of the sphere port

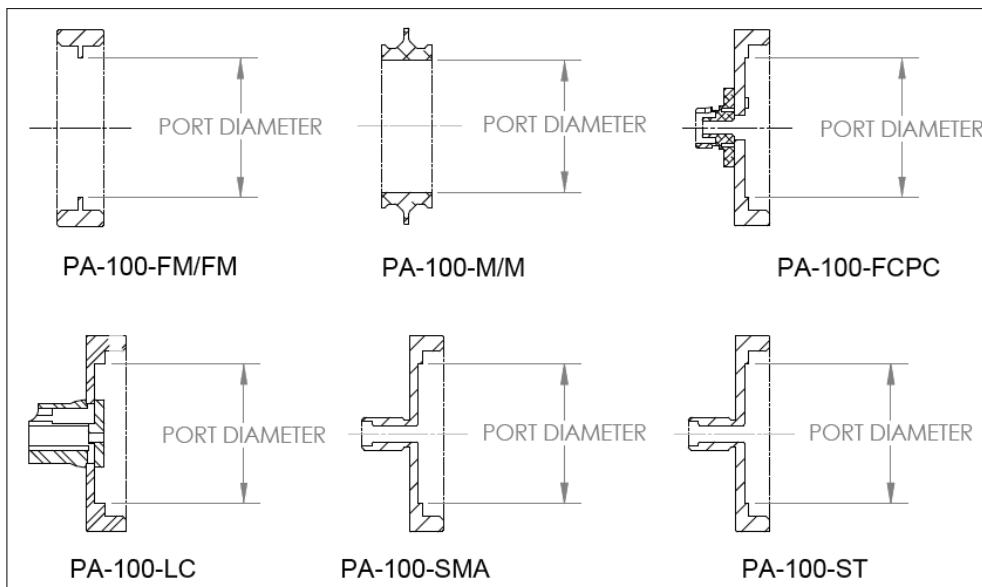
SL = Spectrafect Coating

IG = Infragold

FB = Flat Black

PORT ADAPTERS

Mounting onto a port frame, a Port Adapter provides a mechanical interface between the sphere and another system component, either directly, via gender change adapters, or indirectly via fiber bundles of various types.



Model Number	Order Number	Adaptor Type	Port Diameter	Reflectance Material
PA-100-FM/FM	AS-02440-008	-	1"	-
PA-100-M/M	SM-05379-008	-	1"	-
PA-FCPC-050-SF/SL	AS-02426-004	FCPC	0.5"	Spectrafect
PA-FCPC-100-SF/SL	AS-02426-008	FCPC	1"	Spectrafect
PA-LC-050-SF/SL	AS-02427-004	LC	0.5"	Spectrafect
PA-LC-100-SF/SL	AS-02427-008	LC	1"	Spectrafect
PA-SMA-050-SF/SL	AS-02428-004	SMA	0.5"	Spectrafect
PA-SMA-100-SF/SL	AS-02428-008	SMA	1"	Spectrafect
PA-ST-100-SF/SL	AS-02429-008	ST	1"	Spectrafect
PA-ST-050-SF/SL	AS-02429-004	ST	0.5"	Spectrafect
PA-FCPC-050-FB	AS-02434-004	FCPC	0.5"	Flat Black
PA-FCPC-100-FB	AS-02434-008	FCPC	1"	Flat Black
PA-LC-050-FB	AS-02435-004	LC	0.5"	Flat Black
PA-LC-100-FB	AS-02435-008	LC	1"	Flat Black
PA-SMA-050-FB	AS-02436-004	SMA	0.5"	Flat Black
PA-SMA-100-FB	AS-02436-008	SMA	1"	Flat Black
PA-ST-100-FB	AS-02437-008	ST	1"	Flat Black
PA-ST-050-FB	AS-02437-004	ST	0.5"	Flat Black
PA-FCPC-050-IG	AS-02430-004	FCPC	0.5"	Infragold
PA-FCPC-100-IG	AS-02430-008	FCPC	1"	Infragold
PA-SMA-050-IG	AS-02432-004	SMA	0.5"	Infragold
PA-SMA-100-IG	AS-02432-008	SMA	1"	Infragold
PA-ST-100-IG	AS-02433-008	ST	1"	Infragold
PA-ST-050-IG	AS-02433-004	ST	0.5"	Infragold

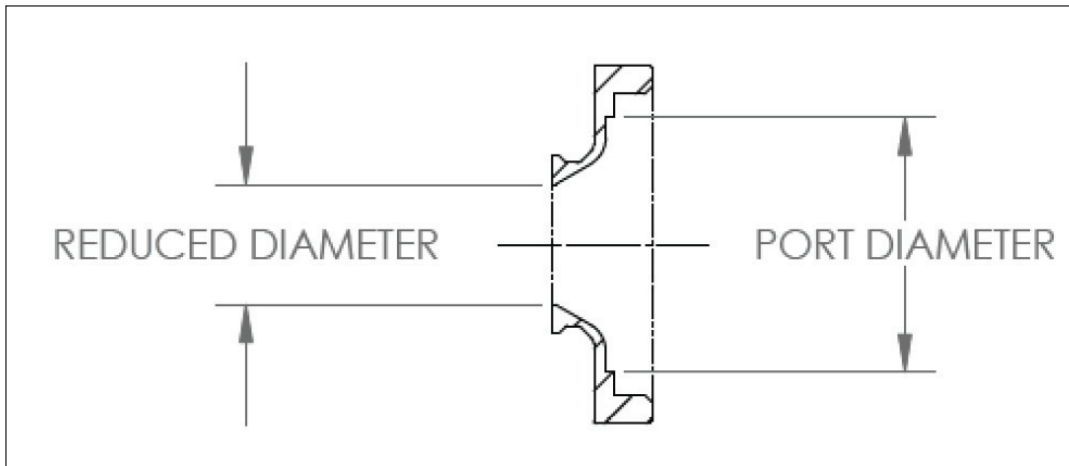
PA-XXX-SL, SF, IG, FB

XXX = Diameter of the sphere port

SL = Spectrafect Coating IG = Infragold FB = Flat Black

PORT FRAME REDUCERS

Mounting onto a port frame, a Port Frame Reducer effectively reduces that port frame to specified size. It serves as the interface that permits accessories designed for a specific port size to be mounted on larger port frames.



Model Number	Order Number	Port Diameter	Reduced Diameter	Reflectance Material
PFR-FM/M-100-050-SF	AS-02370-008	1"	0.5"	Spectrafect
PFR-FM/M-150-050-SF	AS-02370-012	1.5"	0.5"	Spectrafect
PFR-FM/M-200-050-SF	AS-02370-016	2"	0.5"	Spectrafect
PFR-FM/M-250-050-SF	AS-02370-020	2.5"	0.5"	Spectrafect
PFR-FM/M-150-100-SF	AS-02371-012	1.5"	1"	Spectrafect
PFR-FM/M-200-100-SF	AS-02371-016	2"	1"	Spectrafect
PFR-FM/M-250-100-SF	AS-02371-020	2.5"	1"	Spectrafect
PFR-FM/M-200-150-SF	AS-02372-016	2"	1.5"	Spectrafect
PFR-FM/M-250-150-SF	AS-02372-020	2.5"	1.5"	Spectrafect
PFR-FM/M-250-200-SF	AS-02373-020	2.5"	2"	Spectrafect
PFR-FM/M-100-050-FB	AS-02380-008	1"	0.5"	Flat Black
PFR-FM/M-150-050-FB	AS-02380-012	1.5"	0.5"	Flat Black
PFR-FM/M-200-050-FB	AS-02380-016	2"	0.5"	Flat Black
PFR-FM/M-250-050-FB	AS-02380-020	2.5"	0.5"	Flat Black
PFR-FM/M-150-100-FB	AS-02381-012	1.5"	1"	Flat Black
PFR-FM/M-200-100-FB	AS-02381-016	2"	1"	Flat Black
PFR-FM/M-200-150-FB	AS-02382-016	2"	1.5"	Flat Black
PFR-FM/M-250-150-FB	AS-02382-020	2.5"	1.5"	Flat Black
PFR-FM/M-250-200-FB	AS-02383-020	2.5"	2"	Flat Black
PFR-FM/M-150-050-IG	AS-02390-012	1.5"	0.5"	Infragold
PFR-FM/M-200-050-IG	AS-02390-016	2"	0.5"	Infragold
PFR-FM/M-250-050-IG	AS-02390-020	2.5"	0.5"	Infragold
PFR-FM/M-200-100-IG	AS-02391-016	2"	1"	Infragold
PFR-FM/M-250-100-IG	AS-02391-020	2.5"	1"	Infragold
PFR-FM/M-200-150-IG	AS-02392-016	2"	1.5"	Infragold
PFR-FM/M-250-150-IG	AS-02392-020	2.5"	1.5"	Infragold
PFR-FM/M-250-200-IG	AS-02393-020	2.5"	2"	Infragold

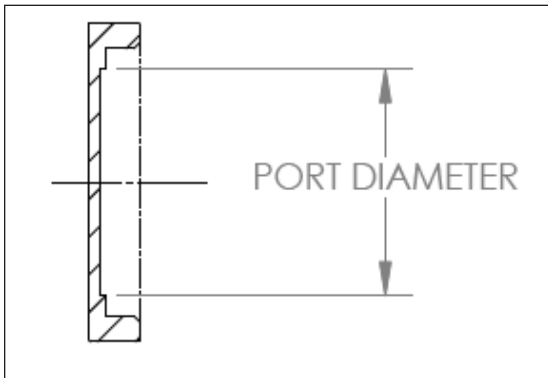
PFR-XXX-SL, SF, IG, FB

XXX = Diameter of the sphere port

SL = Spectrafect Coating IG = Infragold FB = Flat Black

PORT PLUGS

Mounting on to a port frame, a Port Plug replaces the open port with a cap that matches either the reflectance of the sphere wall or the open port.



Model Number	Order Number	Port Diameter	Reflectance Material
PP-025-SF	AS-02340-002	0.25"	Spectrafect
PP-050-SF	AS-02340-004	0.50"	Spectrafect
PP-063-SF	AS-02340-005	0.625"	Spectrafect
PP-075-SF	AS-02340-006	0.75"	Spectrafect
PP-100-SF	AS-02340-008	1.00"	Spectrafect
PP-125-SF	AS-02340-010	1.25"	Spectrafect
PP-150-SF	AS-02340-012	1.50"	Spectrafect
PP-200-SF	AS-02340-016	2.00"	Spectrafect
PP-250-SF	AS-02340-020	2.50"	Spectrafect
PP-300-SF	AS-02340-024	3.00"	Spectrafect
PP-400-SF	AS-02340-032	4.00"	Spectrafect
PP-500-SF	AS-02340-040	5.00"	Spectrafect
PP-025-FB	AS-02341-002	0.25"	Flat Black
PP-063-FB	AS-02341-005	0.625"	Flat Black
PP-075-FB	AS-02341-006	0.75"	Flat Black
PP-125-FB	AS-02341-010	1.25"	Flat Black
PP-150-FB	AS-02341-012	1.50"	Flat Black
PP-300-FB	AS-02341-024	3.00"	Flat Black
PP-400-FB	AS-02341-032	4.00"	Flat Black
PP-500-FB	AS-02341-040	5.00"	Flat Black
PP-025-SL	AS-02350-002	0.25"	Spectralon
PP-050-SL	AS-02350-004	0.50"	Spectralon
PP-100-SL	AS-02350-008	1.00"	Spectralon
PP-150-SL	AS-02350-012	1.50"	Spectralon
PP-250-SL	AS-02350-020	2.50"	Spectralon
PP-025-IG	AS-02360-002	0.25"	Infragold
PP-063-IG	AS-02360-005	0.625"	Infragold
PP-075-IG	AS-02360-006	0.75"	Infragold
PP-100-IG	AS-02360-008	1.00"	Infragold
PP-125-IG	AS-02360-010	1.25"	Infragold

PP-XXX-SL, SF, IG, FB

XXX = Diameter of the sphere port

SF = Spectralon Material SL = Spectrafect Coating IG = Infragold FB = Flat Black